



Chipsmall Limited consists of a professional team with an average of over 10 year of expertise in the distribution of electronic components. Based in Hongkong, we have already established firm and mutual-benefit business relationships with customers from,Europe,America and south Asia,supplying obsolete and hard-to-find components to meet their specific needs.

With the principle of “Quality Parts,Customers Priority,Honest Operation,and Considerate Service”,our business mainly focus on the distribution of electronic components. Line cards we deal with include Microchip,ALPS,ROHM,Xilinx,Pulse,ON,Everlight and Freescale. Main products comprise IC,Modules,Potentiometer,IC Socket,Relay,Connector.Our parts cover such applications as commercial,industrial, and automotives areas.

We are looking forward to setting up business relationship with you and hope to provide you with the best service and solution. Let us make a better world for our industry!



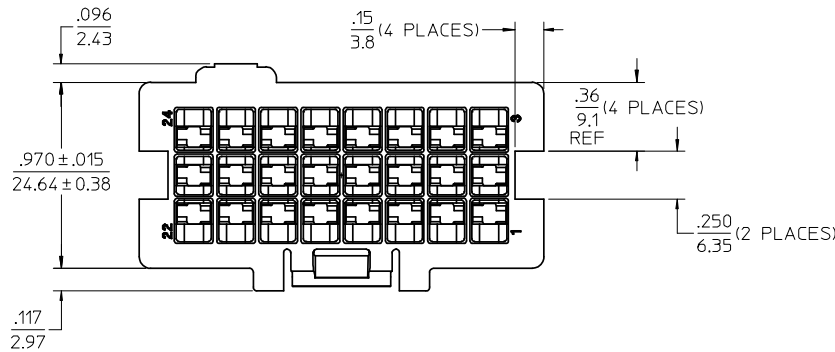
Contact us

Tel: +86-755-8981 8866 Fax: +86-755-8427 6832

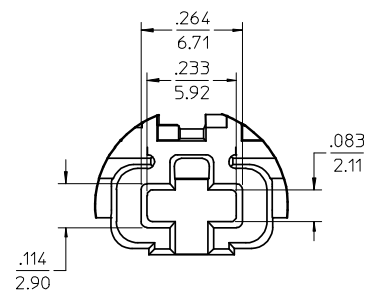
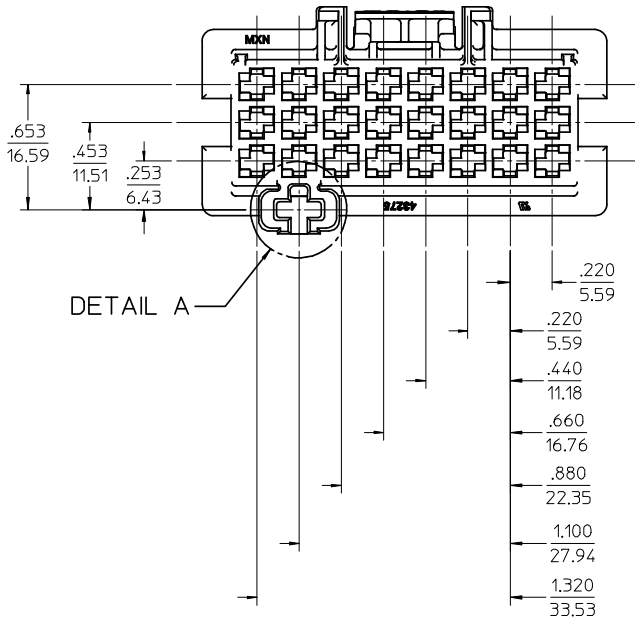
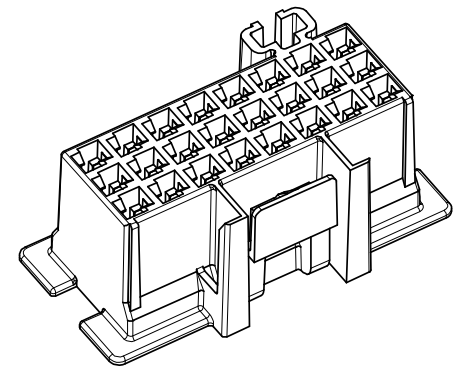
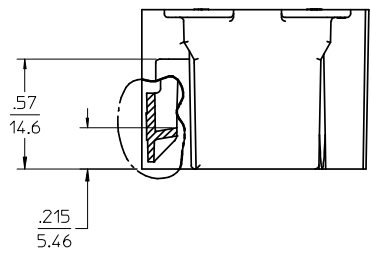
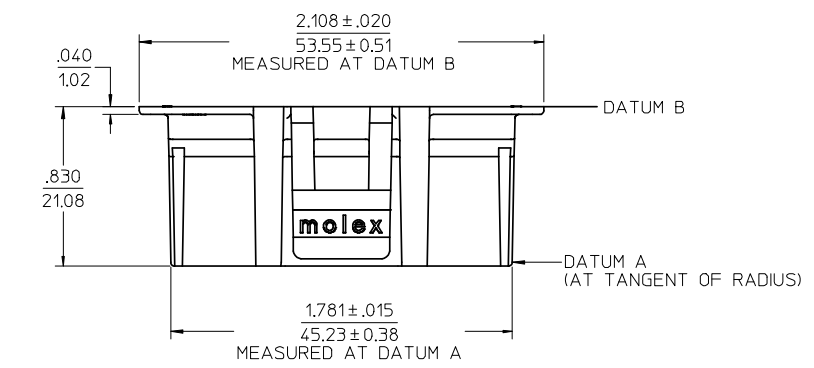
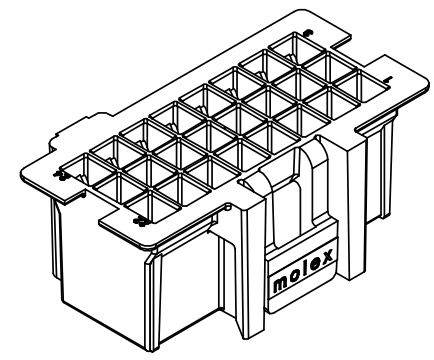
Email & Skype: info@chipsmall.com Web: www.chipsmall.com

Address: A1208, Overseas Decoration Building, #122 Zhenhua RD., Futian, Shenzhen, China





- NOTES:
1. MATERIAL: NYLON PA66, UL94V-2
COLOR: NATURAL (TRANSLUCENT)
 2. FINISH: NOT APPLICABLE
 3. PRODUCT SPECIFICATION: PSX-44441-9999
 4. PACKAGING INFORMATION: PK-43275-002
 5. USE TERMINALS: 43375-*
 6. SEE SMES-43275-0024 OR SMES-43275-9024 FOR THE DESCRIPTION OF THE MATING INTERFACE.
 7. PARTS CONFORM TO CLASS 'B' REQUIREMENTS OF COSMETIC SPECIFICATION PS-45499-002.



43275-2024

DETAIL A
SCALE 4:1

ADD NOTES 4 AND 7 EC NO: UCP2007-2637 DRWN:PRIDDER 2008/06/18 CHKD:AELHAG 2008/06/18 APPR:FSMITH 2008/06/18	QUALITY SYMBOLS ▽=0 ▽=1	GENERAL TOLERANCES (UNLESS SPECIFIED)		DIMENSION STYLE IN/MM	SCALE 2:1	DESIGN UNITS INCH	THIRD ANGLE PROJECTION	
		4 PLACES ± --- ± --- 3 PLACES ± --- ± .007 2 PLACES ± 0.18 ± .010 1 PLACE ± 0.25 ± ---	DRAWN BY TGREGORI	DATE 2003/03/12	TITLE CONNECTOR HOUSING 24-CIRCUITS, W/ FLANGE APPLIANCE TIMER - TPA			
		ANGULAR ± 1/2°	CHECKED BY BWIRKUS	DATE 2003/03/14	MOLEX INCORPORATED			
		DRAFT WHERE APPLICABLE MUST REMAIN WITHIN DIMENSIONS	APPROVED BY JCOMERCI	DATE 2003/03/17	MATERIAL NO. 43275-2024	DOCUMENT NO. SD-43275-002	SHEET NO. 1 OF 1	