



Chipsmall Limited consists of a professional team with an average of over 10 year of expertise in the distribution of electronic components. Based in Hongkong, we have already established firm and mutual-benefit business relationships with customers from,Europe,America and south Asia,supplying obsolete and hard-to-find components to meet their specific needs.

With the principle of “Quality Parts,Customers Priority,Honest Operation,and Considerate Service”,our business mainly focus on the distribution of electronic components. Line cards we deal with include Microchip,ALPS,ROHM,Xilinx,Pulse,ON,Everlight and Freescale. Main products comprise IC,Modules,Potentiometer,IC Socket,Relay,Connector.Our parts cover such applications as commercial,industrial, and automotives areas.

We are looking forward to setting up business relationship with you and hope to provide you with the best service and solution. Let us make a better world for our industry!



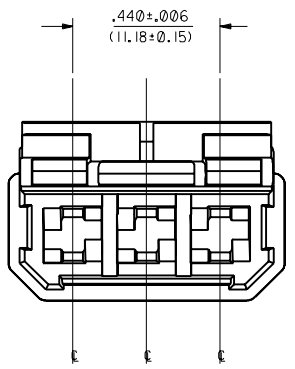
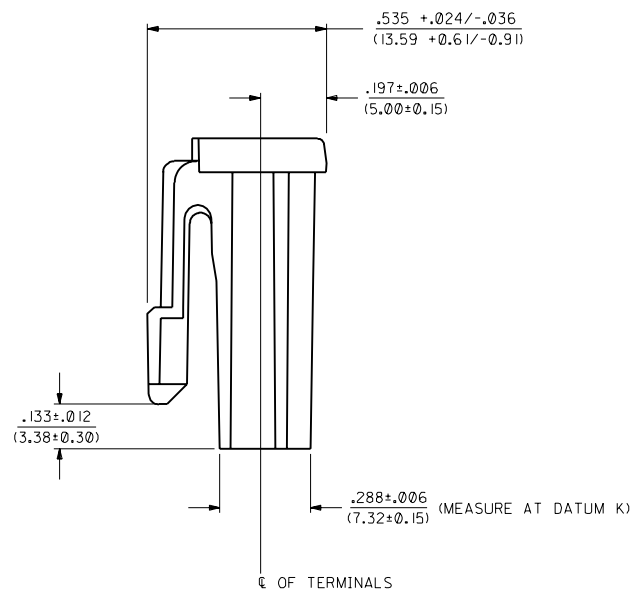
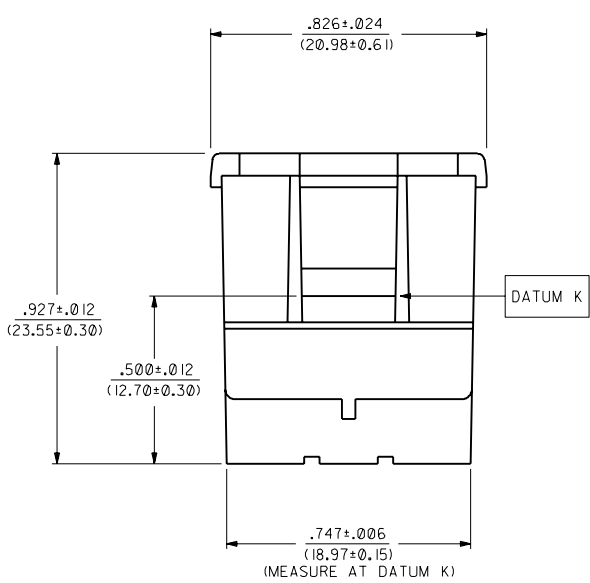
Contact us

Tel: +86-755-8981 8866 Fax: +86-755-8427 6832

Email & Skype: info@chipsmall.com Web: www.chipsmall.com

Address: A1208, Overseas Decoration Building, #122 Zhenhua RD., Futian, Shenzhen, China





NOTES:

1. 6/6 NYLON, UL 94V-2. COLOR: NATURAL.
2. USE TERMINALS: 43375-0001, OR 43375-1001, SINGLE CRIMP #18, #16, OR #14 AWG UL1015 WIRE.
3. SEE SMES-43301-9003 FOR THE SPECIFICATION OF THE CONNECTION INTERFACE.
4. PRODUCT SPECIFICATION: PSX-43301-9000.

C	REVISED PER UCR2001-0359 00/11/03 SOMMER
B	REVISED PER UCR1999-0305 98/11/05 LENZ
A	REMOVE 'X' PER ECN# U70765 PELOZA 97/02/0
2	REVISED PER ECN# U70369 96/10/08 JIWAN
1	'X' RELEASE PER ECN# U50706 95/01/19 KBP

DIMENSIONS SHOWN METRIC (INCH UNLESS OTHERWISE SPECIFIED TOLERANCES: ANGULAR ± 1/2°)		▽ = 0	▼ = 0	REVISE ONLY ON CAD SYSTEM												
<table border="1"> <thead> <tr> <th></th> <th>INCH</th> <th>METRIC</th> </tr> </thead> <tbody> <tr> <td>3 PLACE</td> <td>± ---</td> <td>---</td> </tr> <tr> <td>2 PLACE</td> <td>± ---</td> <td>---</td> </tr> <tr> <td>1 PLACE</td> <td>---</td> <td>± ---</td> </tr> </tbody> </table>			INCH	METRIC	3 PLACE	± ---	---	2 PLACE	± ---	---	1 PLACE	---	± ---	TITLE 3-CIR RECEPTACLE HOUSING .125/(3.18) X .020/(0.51) DEEP TERMINAL CORES		
	INCH	METRIC														
3 PLACE	± ---	---														
2 PLACE	± ---	---														
1 PLACE	---	± ---														
DRAFT WHERE APPLICABLE MUST REMAIN WITHIN DIMENSIONS		MOLEX INCORPORATED LITTLE ROCK, AR 69532 U.S.A.														
DRWG. BY: KBP APP'D: RAS		SHEET NO. 1 OF 1 DATE 95/01/19 PART NO. 43301-1003 DRWG. NO. SD-43301-1003														
SCALE: 4:1		FILE NAME: EHA43301X4.DWG THIS DRAWING CONTAINS INFORMATION THAT IS PROPRIETARY TO MOLEX INC. AND SHOULD NOT BE USED WITHOUT WRITTEN PERMISSION.														