



Chipsmall Limited consists of a professional team with an average of over 10 year of expertise in the distribution of electronic components. Based in Hongkong, we have already established firm and mutual-benefit business relationships with customers from,Europe,America and south Asia,supplying obsolete and hard-to-find components to meet their specific needs.

With the principle of "Quality Parts,Customers Priority,Honest Operation,and Considerate Service",our business mainly focus on the distribution of electronic components. Line cards we deal with include Microchip,ALPS,ROHM,Xilinx,Pulse,ON,Everlight and Freescale. Main products comprise IC,Modules,Potentiometer,IC Socket,Relay,Connector.Our parts cover such applications as commercial,industrial, and automotives areas.

We are looking forward to setting up business relationship with you and hope to provide you with the best service and solution. Let us make a better world for our industry!



## Contact us

Tel: +86-755-8981 8866 Fax: +86-755-8427 6832

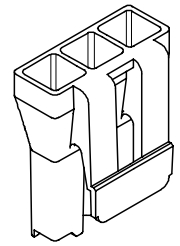
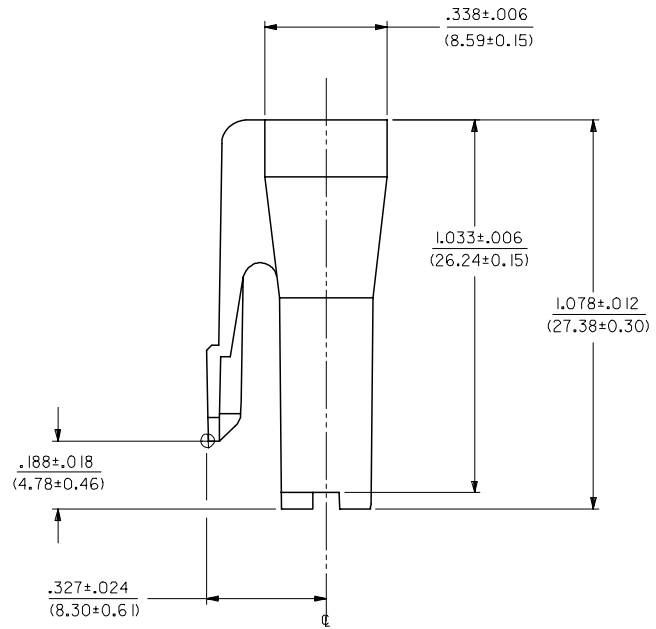
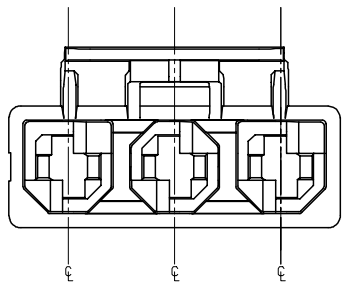
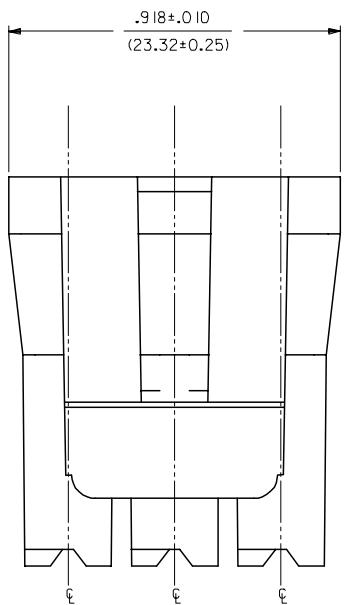
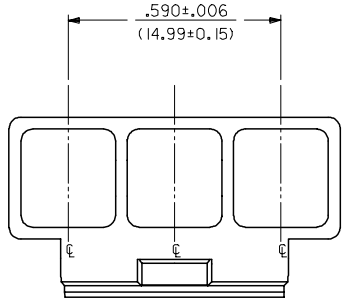
Email & Skype: info@chipsmall.com Web: www.chipsmall.com

Address: A1208, Overseas Decoration Building, #122 Zhenhua RD., Futian, Shenzhen, China



13 12 11 10 9 8 7 6 5 4 3 2 1

	ITEM NUMBER	MATERIAL	COLOR
	43335-1003	A	NATURAL
	43335-2003	B	BLACK
OBSOLETE	43335-3003	A	RED
OBSOLETE	43335-4003	A	BLUE



43335-\*003  
(SCALE 2:1)

- NOTES:
- MATERIAL: A: NYLON, PA66, UL94V-2, COLOR: SEE CHART.  
B: PA6 NYLON, UL94V-0, IEC 60335-1, 4TH EDITION GLOW WIRE CAPABLE.
  - FINISH: NONE
  - PRODUCT SPECIFICATION: PSX-43335-9999
  - PACKAGING SPECIFICATION: PK-43335-001.
  - THIS CONNECTOR HOUSING FOR USE WITH 43375-\*\*\*\* TERMINALS.
  - THIS CONNECTOR HOUSING WILL MATE TO A-43160-\*\*\*3, 43180-\*\*\*3, AND 43384-\*\*\*3 HOUSINGS.
  - SEE SDES-43335-9004 FOR REQUIREMENTS FOR THE MATING INTERFACE.
  - PARTS CONFORM TO CLASS 'B' REQUIREMENTS OF COSMETIC SPECIFICATION PS-45499-002 EXCEPT MATERIAL OPTION 'B' MEETS CLASS 'C' REQUIREMENTS FOR SINK AND DISCOLORATION.

OBS. -3003 & 4003 EC NO: UCP2008-0135 DRWNL: SCHMIDT 2007/07/25 CHKD: AELANG 2007/07/27 APPR: FSM TH 2007/07/27 REVISION DESCRIPTION	QUALITY SYMBOLS	GENERAL TOLERANCES (UNLESS SPECIFIED)	DIMENSION STYLE	SCALE	DESIGN UNITS	THIRD ANGLE PROJECTION
	▽=0 ▽=0	mm INCH 4 PLACES ± --- ± --- 3 PLACES ± --- ± .005 2 PLACES ± 0.13 ± .010 1 PLACE ± 0.25 ± --- ANGULAR ±1/2°	IN/MM	4:1	INCH	☉ □ THIRD ANGLE PROJECTION
		DRAFT WHERE APPLICABLE MUST REMAIN WITHIN DIMENSIONS	DRAWN BY DATE MAB 1995/08/15 CHECKED BY DATE KBP 1995/08/15 APPROVED BY DATE RAS 1995/08/15 MATERIAL NO. SEE CHART SIZE C THIS DRAWING CONTAINS INFORMATION THAT IS PROPRIETARY TO MOLEX INCORPORATED AND SHOULD NOT BE USED WITHOUT WRITTEN PERMISSION	TITLE	3-CKT RECEPTACLE HOUSING .125X.020 FLAT BLADE SYSTEM W/TPA MOLEX MOLEX INCORPORATED SD-43335-*003	SHEET NO. 1 OF 1

12 11 10 9 8 7 6 5 4 3 2 1