



Chipsmall Limited consists of a professional team with an average of over 10 year of expertise in the distribution of electronic components. Based in Hongkong, we have already established firm and mutual-benefit business relationships with customers from,Europe,America and south Asia,supplying obsolete and hard-to-find components to meet their specific needs.

With the principle of "Quality Parts,Customers Priority,Honest Operation,and Considerate Service",our business mainly focus on the distribution of electronic components. Line cards we deal with include Microchip,ALPS,ROHM,Xilinx,Pulse,ON,Everlight and Freescale. Main products comprise IC,Modules,Potentiometer,IC Socket,Relay,Connector.Our parts cover such applications as commercial,industrial, and automotives areas.

We are looking forward to setting up business relationship with you and hope to provide you with the best service and solution. Let us make a better world for our industry!



Contact us

Tel: +86-755-8981 8866 Fax: +86-755-8427 6832

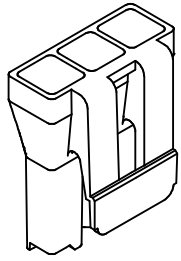
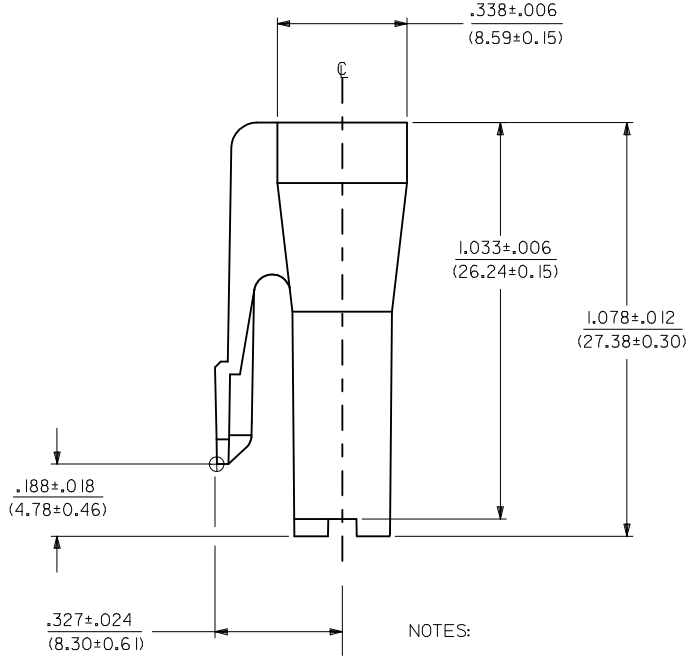
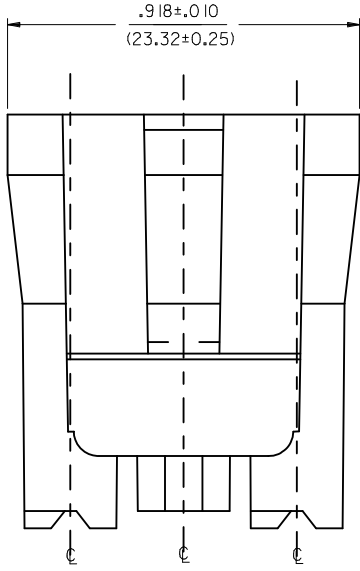
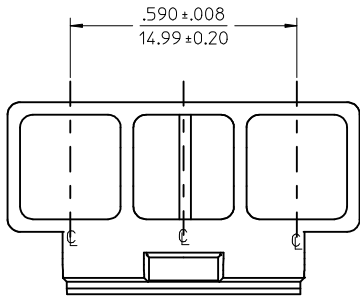
Email & Skype: info@chipsmall.com Web: www.chipsmall.com

Address: A1208, Overseas Decoration Building, #122 Zhenhua RD., Futian, Shenzhen, China

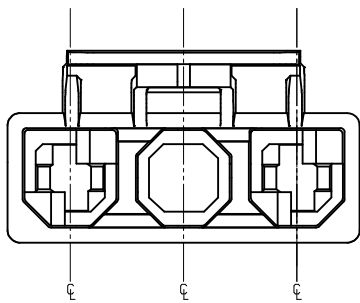


ITEM NUMBER	MATERIAL	COLOR
43335-1103	A	NATURAL
43335-2103	B	BLACK
X 43335-3103	A	RED
X 43335-4103	A	BLUE
43335-7103	D	BLACK

X = NOT RELEASED TO PRODUCTION



43335-1103
(SCALE 2:1)



NOTES:

- 1) MATERIAL: A: NYLON, PA66, UL94V-2, COLOR: SEE CHART.
B: UL94V-0, PA66, NYLON.
D: NYLON, UL94V-2, COLOR: BLACK, IEC 60335-1 GLOW WIRE CAPABLE.
- 2) FINISH: NONE.
- 3) PRODUCT SPECIFICATION: PSX-43335-9999.
- 4) PACKAGING INFORMATION: PK-43335-001.
- 5) THIS CONNECTOR HOUSING FOR USE WITH 43375-****.
- 6) THIS CONNECTOR HOUSING WILL MATE TO A-43160-***3 AND 43384-***3 HOUSINGS.
- 7) PARTS CONFORM TO CLASS 'B' REQUIREMENTS OF COSMETIC SPECIFICATION PS-45499-002 EXCEPT MATERIAL OPTION 'B' MEETS CLASS 'C' REQUIREMENTS FOR SINK AND DISCOLORATION.

CORRECT TOLERANCE EC NO: UCP2014-5424 DRWN:JDOX 2014/06/26 CHKD:ANDERSON 2014/06/26 APPR:FSMLTH 2014/07/09	QUALITY SYMBOLS	GENERAL TOLERANCES (UNLESS SPECIFIED)		DIMENSION STYLE		SCALE	DESIGN UNITS	THIRD ANGLE PROJECTION	
	▽=0	mm	INCH	IN/MM		4:1	INCH		
	▽=0	4 PLACES ± ---	± ---	DRAWN BY	DATE	TITLE 3-CKT RECEPTACLE HOUSING W/TPA .125X.020 FLAT BLADE CENTER VOID			
	▽=0	3 PLACES ± ---	±.005	MAB	08/15/95				
▽=0	2 PLACES ± 0.13	±.01	CHECKED BY	DATE	molex DOCUMENT NO. SD-43335-1103 SHEET NO. 1 OF 1				
	1 PLACE ± 0.25	± ---	KBP	08/15/95					
	0 PLACE ±	±	APPROVED BY	DATE	MATERIAL NO. SEE CHART SIZE C THIS DRAWING CONTAINS INFORMATION THAT IS PROPRIETARY TO MOLEX INCORPORATED AND SHOULD NOT BE USED WITHOUT WRITTEN PERMISSION				
			RAS	08/15/95					
			ANGULAR ±1/2°						
		DRAFT WHERE APPLICABLE MUST REMAIN WITHIN DIMENSIONS							