



Chipsmall Limited consists of a professional team with an average of over 10 year of expertise in the distribution of electronic components. Based in Hongkong, we have already established firm and mutual-benefit business relationships with customers from,Europe,America and south Asia,supplying obsolete and hard-to-find components to meet their specific needs.

With the principle of “Quality Parts,Customers Priority,Honest Operation,and Considerate Service”,our business mainly focus on the distribution of electronic components. Line cards we deal with include Microchip,ALPS,ROHM,Xilinx,Pulse,ON,Everlight and Freescale. Main products comprise IC,Modules,Potentiometer,IC Socket,Relay,Connector.Our parts cover such applications as commercial,industrial, and automotives areas.

We are looking forward to setting up business relationship with you and hope to provide you with the best service and solution. Let us make a better world for our industry!



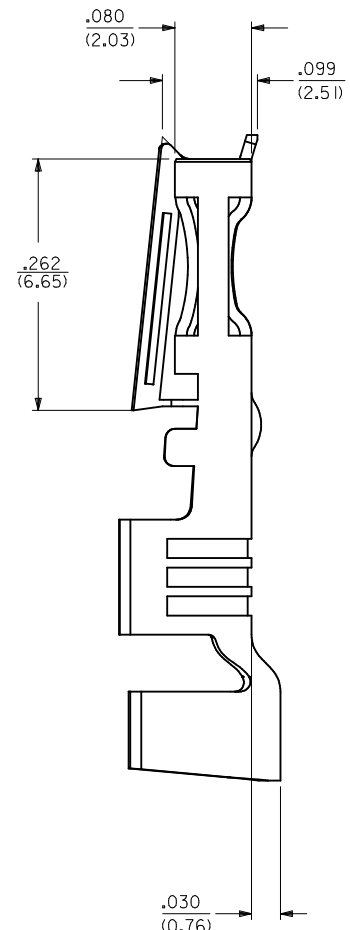
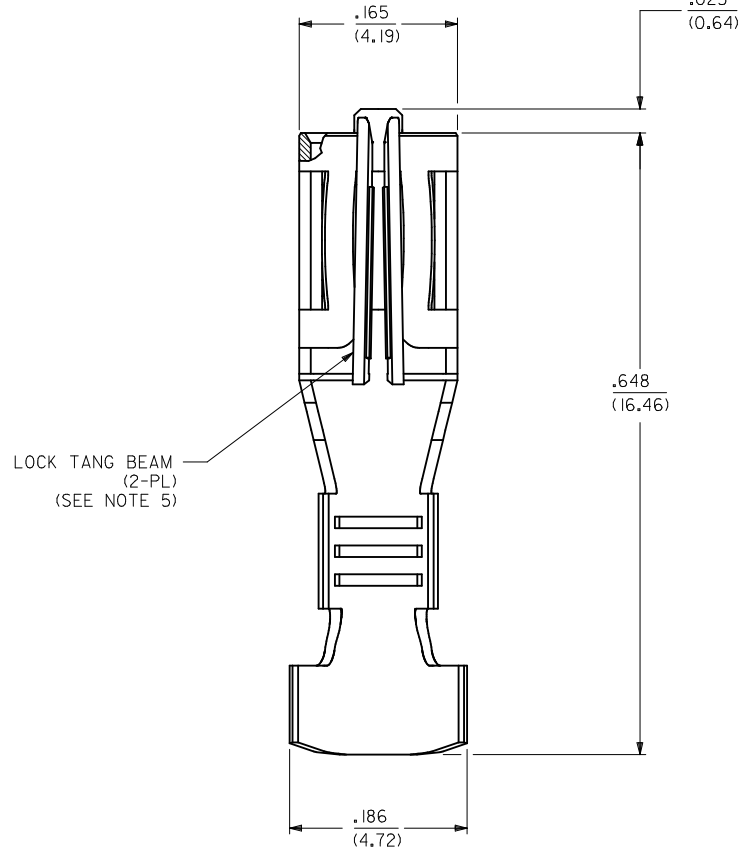
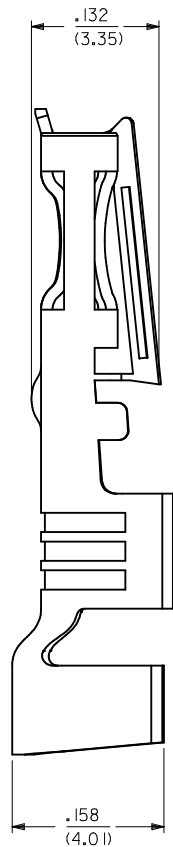
## Contact us

Tel: +86-755-8981 8866 Fax: +86-755-8427 6832

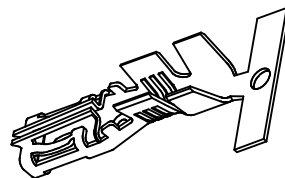
Email & Skype: info@chipsmall.com Web: www.chipsmall.com

Address: A1208, Overseas Decoration Building, #122 Zhenhua RD., Futian, Shenzhen, China

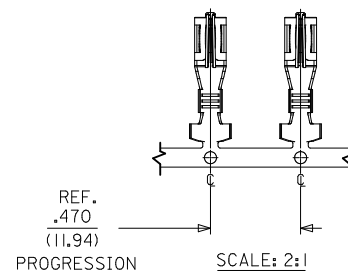




**SMALL INSULATION CRIMP**



43374-0001



**NOTES:**

1. SINGLE CRIMP TO #16 & #14 AWG WIRE WITH .031/(0.79) MAXIMUM INSULATION THICKNESS.
2. MATERIAL: .012/(0.30) THICK C26000 BRASS.
3. FINISH: HOT TIN DIP.
4. DIMENSIONS FOR REFERENCE ONLY.
5. NO PORTION OF ONE LOCK TANG BEAM SHALL TOUCH ANY PORTION OF THE OTHER LOCK TANG BEAM.
6. PRODUCT SPECIFICATION: PS-43374-001

<b>ADD BLOCK TOLERANCE</b> EC NO: UCP2010-1826 DRW:NAELHAG 2010/02/08 CHKD:BWIRKUS 2010/02/09 APPR:FSMITH 2010/02/10 REV:	QUALITY SYMBOLS	GENERAL TOLERANCES (UNLESS SPECIFIED)		DIMENSION STYLE		SCALE	DESIGN UNITS	THIRD ANGLE PROJECTION
	▽=0	mm	INCH	IN/MM		1:1	INCH	
	▽=0	4 PLACES ± ---	± ---	DRAWN BY	DATE	TITLE		
	▽=0	3 PLACES ± ---	± .010	MAB	05/08/94	TERMINAL, RECEPTACLE .125/(3.18)X.020/(0.51) FLAT BLADE SYSTEM - TPA		
	2 PLACES ± 0.25	± .014	CHECKED BY	DATE	MOLEX MOLEX INCORPORATED			
	1 PLACE ± 0.35	± ---	KBP	05/08/94	MATERIAL NO. 43374-0001			
			APPROVED BY	DATE	DOCUMENT NO. SD-43374-0001			
			RAS	05/08/94	SHEET NO. 1 OF 1			
			ANGULAR ±1/2°		THIS DRAWING CONTAINS INFORMATION THAT IS PROPRIETARY TO MOLEX INCORPORATED AND SHOULD NOT BE USED WITHOUT WRITTEN PERMISSION			
			DRAFT WHERE APPLICABLE MUST REMAIN WITHIN DIMENSIONS					