



Chipsmall Limited consists of a professional team with an average of over 10 year of expertise in the distribution of electronic components. Based in Hongkong, we have already established firm and mutual-benefit business relationships with customers from,Europe,America and south Asia,supplying obsolete and hard-to-find components to meet their specific needs.

With the principle of “Quality Parts,Customers Priority,Honest Operation,and Considerate Service”,our business mainly focus on the distribution of electronic components. Line cards we deal with include Microchip,ALPS,ROHM,Xilinx,Pulse,ON,Everlight and Freescale. Main products comprise IC,Modules,Potentiometer,IC Socket,Relay,Connector.Our parts cover such applications as commercial,industrial, and automotives areas.

We are looking forward to setting up business relationship with you and hope to provide you with the best service and solution. Let us make a better world for our industry!



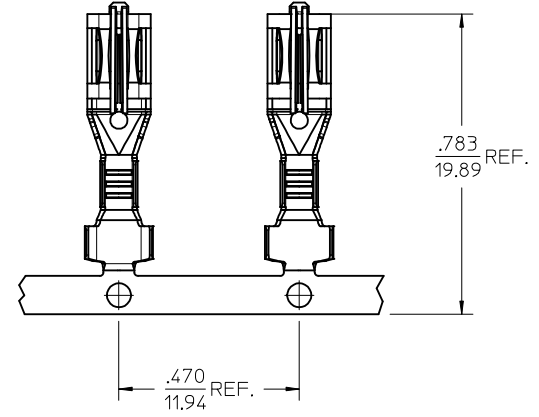
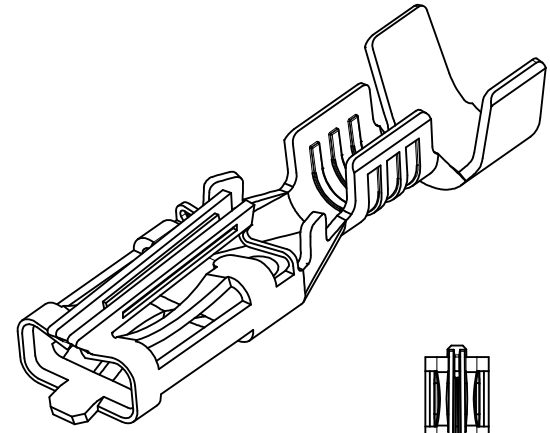
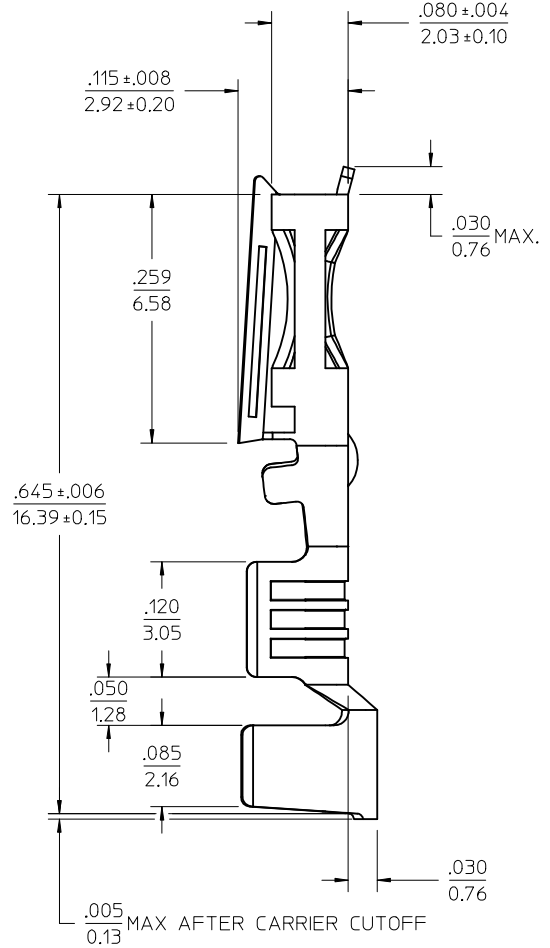
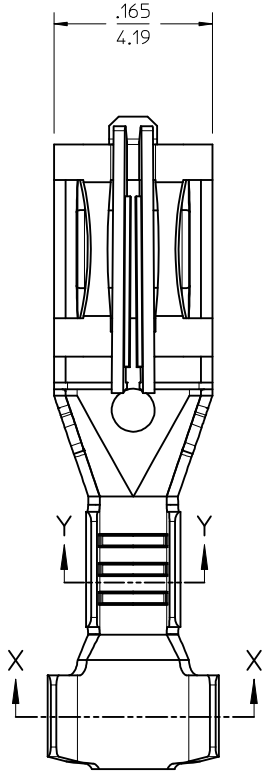
Contact us

Tel: +86-755-8981 8866 Fax: +86-755-8427 6832

Email & Skype: info@chipsmall.com Web: www.chipsmall.com

Address: A1208, Overseas Decoration Building, #122 Zhenhua RD., Futian, Shenzhen, China

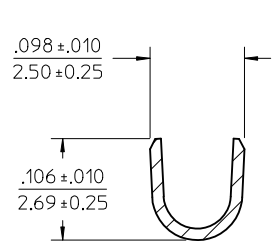




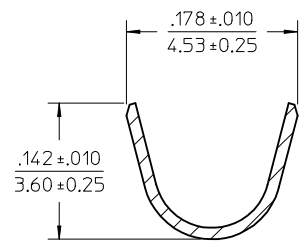
CARRIER STRIP PROGRESSION

NOTES:

1. MATERIAL: C26000 BRASS.
2. FINISH: 20 MICRINCH (0.5 MICROMETER) MINIMUM HOT TIN DIP OVERALL.
3. PRODUCT SPECIFICATION: PS-43374-001
4. PACKAGING: TERMINALS WOUND ON 24" REELS WITH PAPER INTERLEAF.
5. THIS TERMINAL FOR USE WITH 18-20 AWG STRANDED WIRE, UL 1007 OR UL 1015 STYLES, .071-.112 INSULATION DIAMETER. FOR FURTHER INFORMATION REFER TO MOLEX APPLICATION TOOLING SPECIFICATION.
6. TERMINAL MATES TO .125/(3.18 WIDE X .020/(0.51) THICK FLAT BLADE TERMINALS OR MOLEX 43178 SERIES CRIMP TERMINALS.



SECTION Y-Y
CONDUCTOR CRIMP



SECTION X-X
INSULATION CRIMP

CORRECT P/SPECS EC NO: UCP2013-3828 DRAWN:ELHAG 2013/03/09 CHKD:JBELL 2013/03/09 APPR:FSMITH 2013/04/03	QUALITY SYMBOLS	GENERAL TOLERANCES (UNLESS SPECIFIED)	DIMENSION STYLE		SCALE	DESIGN UNITS	THIRD ANGLE PROJECTION
	▽=0 ▽=0		mm	INCH	10:1	INCH	
REV	DESCRIPTION	4 PLACES ± --- ± ---	DRAWN BY	DATE	TITLE		
A2		3 PLACES ± --- ± .005	BWIRKUS	09-09-2009	SABRE 18-20AWG CRIMP FEM W/O TPA; .125 WIDE TAB; UL1007 OR 1015 WIRE		
		2 PLACES ± 0.13 ± .010	CHECKED BY	DATE	MATERIAL NO.		
		1 PLACE ± 0.25 ± ---	BWIRKUS	09-09-2009	433742001		
		ANGULAR ± ---°	APPROVED BY	DATE	DOCUMENT NO.		
			APATEL	09-09-2009	SD-43374-301		
			DRAFT WHERE APPLICABLE MUST REMAIN WITHIN DIMENSIONS		SHEET NO.		
					1 OF 1		
			THIS DRAWING CONTAINS INFORMATION THAT IS PROPRIETARY TO MOLEX INCORPORATED AND SHOULD NOT BE USED WITHOUT WRITTEN PERMISSION				