



Chipsmall Limited consists of a professional team with an average of over 10 year of expertise in the distribution of electronic components. Based in Hongkong, we have already established firm and mutual-benefit business relationships with customers from,Europe,America and south Asia,supplying obsolete and hard-to-find components to meet their specific needs.

With the principle of "Quality Parts,Customers Priority,Honest Operation,and Considerate Service",our business mainly focus on the distribution of electronic components. Line cards we deal with include Microchip,ALPS,ROHM,Xilinx,Pulse,ON,Everlight and Freescale. Main products comprise IC,Modules,Potentiometer,IC Socket,Relay,Connector.Our parts cover such applications as commercial,industrial, and automotives areas.

We are looking forward to setting up business relationship with you and hope to provide you with the best service and solution. Let us make a better world for our industry!



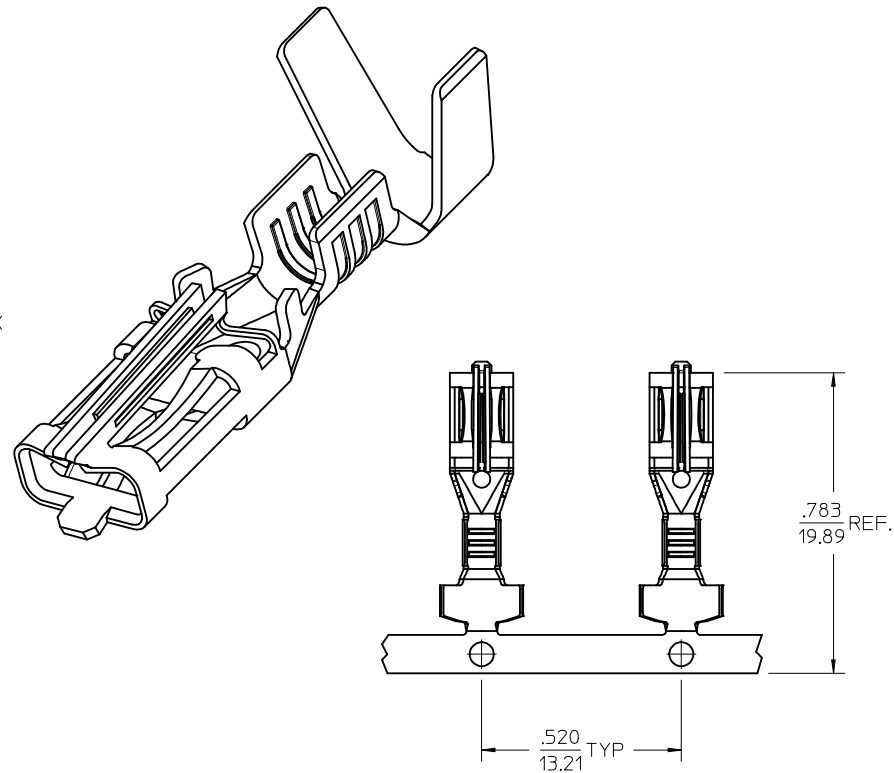
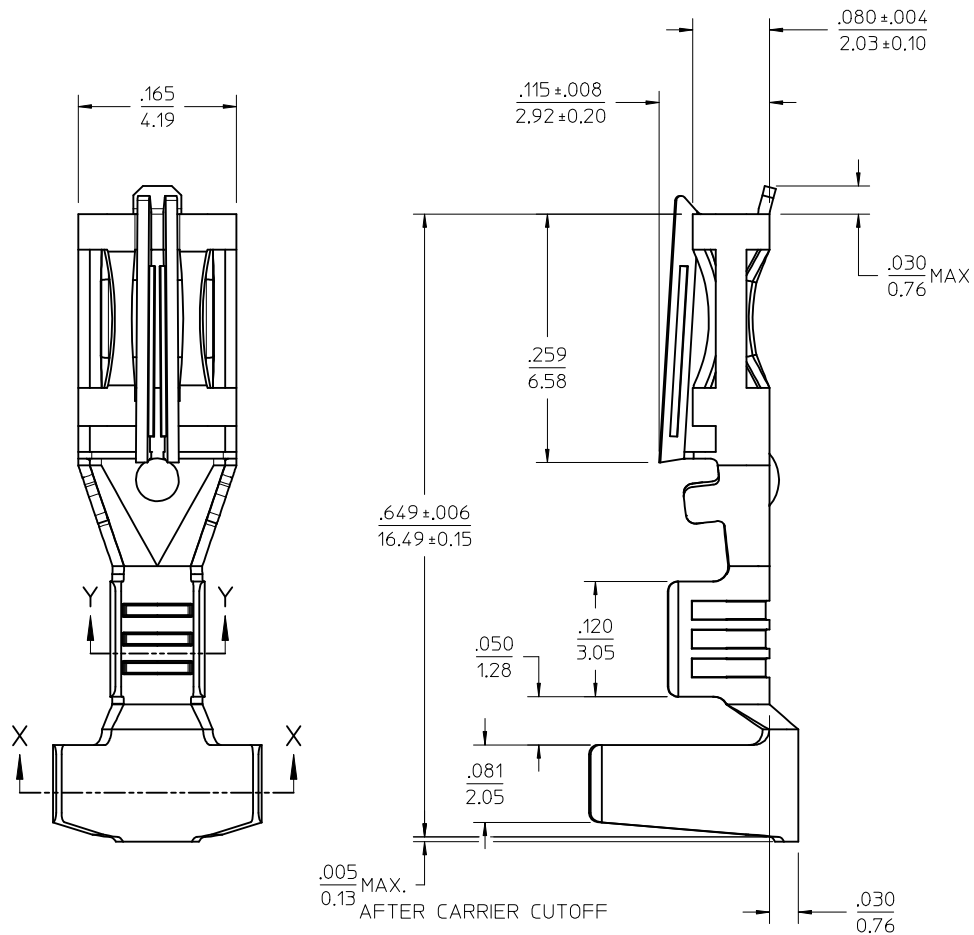
Contact us

Tel: +86-755-8981 8866 Fax: +86-755-8427 6832

Email & Skype: info@chipsmall.com Web: www.chipsmall.com

Address: A1208, Overseas Decoration Building, #122 Zhenhua RD., Futian, Shenzhen, China

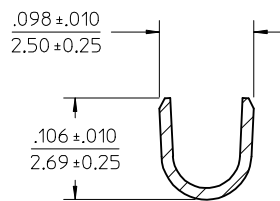




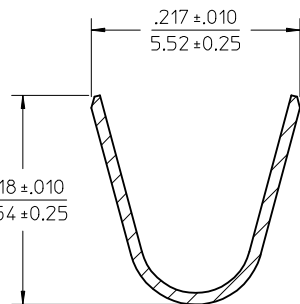
CARRIER STRIP PROGRESSION

NOTES:

1. MATERIAL: C26000 BRASS.
2. FINISH: 20 MICROINCH (0.5 MICROMETER) MINIMUM PREPLATED HOT TIN DIP.
3. PRODUCT SPECIFICATION: PS-43374-001.
4. PACKAGING: TERMINALS WOUND ON 24" REELS WITH PAPER INTERLEAF.
5. THIS TERMINAL FOR USE WITH 18-20 AWG STRANDED WIRE, UL 1015, 1056 OR SPT-3 STYLES, .100-.180 INSULATION DIAMETER. FOR FURTHER INFORMATION, REFER TO MOLEX APPLICATION TOOLING SPECIFICATION.
6. TERMINAL MATES TO .125/93.18 WIDE X .020(0.51) THICK FLAT BLADE TERMINALS OR MOLEX 43178 SERIES CRIMP TERMINALS.



SECTION Y-Y



SECTION X-X

CORRECT P/SPECS EC NO: UCP2013-3828 DRW:NAELHAG 2013/03/09 CHKD:JBELL 2013/03/09 APPR:FSMITH 2013/04/03 REV:	QUALITY SYMBOLS ▽=0 ▽=0	GENERAL TOLERANCES (UNLESS SPECIFIED) <table border="1"> <tr> <th></th> <th>mm</th> <th>INCH</th> </tr> <tr> <td>4 PLACES ±</td> <td>---</td> <td>---</td> </tr> <tr> <td>3 PLACES ±</td> <td>---</td> <td>±.010</td> </tr> <tr> <td>2 PLACES ±</td> <td>0.25</td> <td>±.014</td> </tr> <tr> <td>1 PLACE ±</td> <td>0.35</td> <td>---</td> </tr> <tr> <td>ANGULAR ±</td> <td>---</td> <td>°</td> </tr> </table>		mm	INCH	4 PLACES ±	---	---	3 PLACES ±	---	±.010	2 PLACES ±	0.25	±.014	1 PLACE ±	0.35	---	ANGULAR ±	---	°	DIMENSION STYLE IN/MM DRAWN BY: BWIRKUS DATE: 09-09-2009 CHECKED BY: BWIRKUS DATE: 09-09-2009 APPROVED BY: APATEL DATE: 09-09-2009	SCALE 10:1 DESIGN UNITS INCH THIRD ANGLE PROJECTION	TITLE SABRE 18-20AWG CRIMP FEM .125 FL BLD TERM W/O TPA UL1015, 1056 OR SPT-3 MOLEX INCORPORATED	MATERIAL NO. 433743001 DOCUMENT NO. SD-43374-311	SHEET NO. 1 OF 1
		mm	INCH																						
	4 PLACES ±	---	---																						
	3 PLACES ±	---	±.010																						
2 PLACES ±	0.25	±.014																							
1 PLACE ±	0.35	---																							
ANGULAR ±	---	°																							
DRAFT WHERE APPLICABLE MUST REMAIN WITHIN DIMENSIONS		SIZE C	THIS DRAWING CONTAINS INFORMATION THAT IS PROPRIETARY TO MOLEX INCORPORATED AND SHOULD NOT BE USED WITHOUT WRITTEN PERMISSION																						
A2																									
DESCRIPTION																									