



Chipsmall Limited consists of a professional team with an average of over 10 year of expertise in the distribution of electronic components. Based in Hongkong, we have already established firm and mutual-benefit business relationships with customers from,Europe,America and south Asia,supplying obsolete and hard-to-find components to meet their specific needs.

With the principle of "Quality Parts,Customers Priority,Honest Operation,and Considerate Service",our business mainly focus on the distribution of electronic components. Line cards we deal with include Microchip,ALPS,ROHM,Xilinx,Pulse,ON,Everlight and Freescale. Main products comprise IC,Modules,Potentiometer,IC Socket,Relay,Connector.Our parts cover such applications as commercial,industrial, and automotives areas.

We are looking forward to setting up business relationship with you and hope to provide you with the best service and solution. Let us make a better world for our industry!



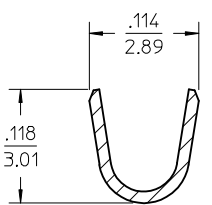
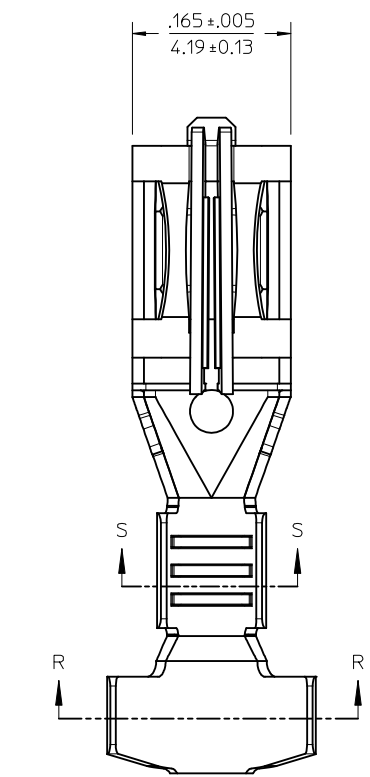
Contact us

Tel: +86-755-8981 8866 Fax: +86-755-8427 6832

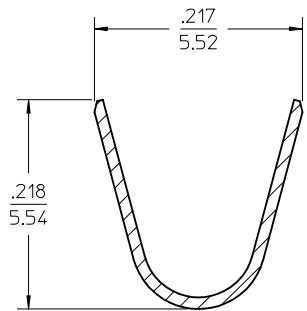
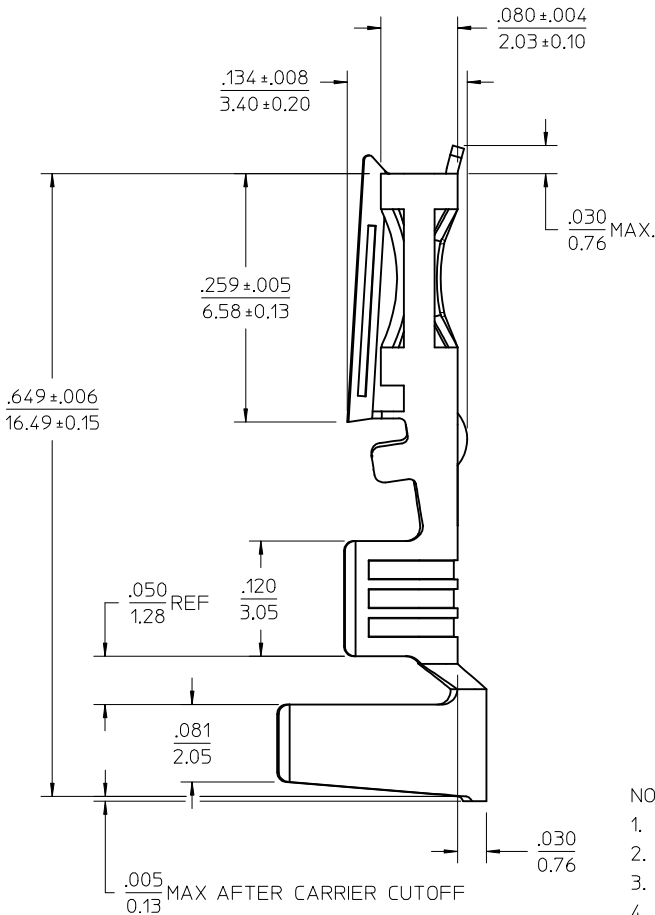
Email & Skype: info@chipsmall.com Web: www.chipsmall.com

Address: A1208, Overseas Decoration Building, #122 Zhenhua RD., Futian, Shenzhen, China

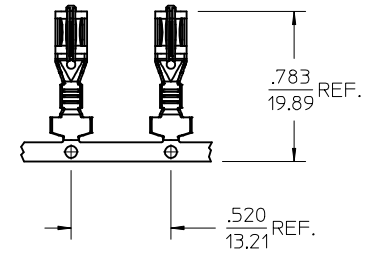
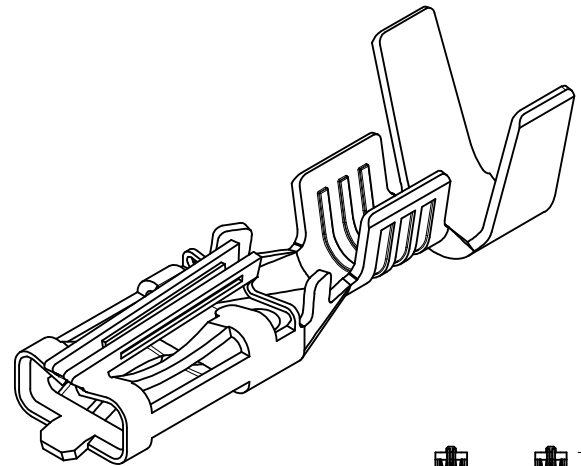




SECTION S-S
CONDUCTOR CRIMP



SECTION R-R
INSULATION CRIMP



CARRIER STRIP PROGRESSION

NOTES:

1. MATERIAL: BRASS
2. FINISH: 20 MICRORINCH / (0.5 MICROMETER) MIN. PREPLATED HOT TIN DIP FINISH.
3. PRODUCT SPECIFICATION: PS-43374-001.
4. PACKAGING: TERMINALS WOUND ON 24" REELS WITH PAPER INTERLEAF, 3000 PER REEL.
5. THIS TERMINAL INTENDED FOR USE WITH TWO 20 AWG STRANDED WIRES, UL STYLE 1007 OR 1015.
6. TERMINAL MATES TO .125/3.18 WIDE X .020/0.51 THICK FLAT BLADE TERMINALS. MATING TERMINAL: 43178 SERIES
7. SEE PRODUCT SPECIFICATION FOR INSULATOR HOUSINGS USED WITH TERMINAL.

CORRECT TOLERANCE EC NO: UCP2014-5466 DRWN:JDOX 2014/07/09 CHKD:ANDERSON 2014/07/09 APPR:FSMLTH 2014/07/17	QUALITY SYMBOLS ∇=0 ∇=0 ∇=0	GENERAL TOLERANCES (UNLESS SPECIFIED)		DIMENSION STYLE IN/MM		SCALE 10:1	DESIGN UNITS INCH	THIRD ANGLE PROJECTION		
			mm	INCH	DRAWN BY BWIRKUS	DATE 1-25-2010	TITLE TERMINAL, FEM, 2X20 AWG FOR .125/(3.18) WIDE TAB W/O TPA; UL1007, 1015			
		4 PLACES ± ---	± ---	± .010	CHECKED BY BWIRUS	DATE 1-25-2010				
		3 PLACES ± ---	± .010	± .014	APPROVED BY APATEL	DATE 1-25-2010	molex			
2 PLACES ± 0.25	± .014	± .014	MATERIAL NO. 433745001		DOCUMENT NO. SD-43374-331		SHEET NO. 1 OF 1			
1 PLACE ± 0.35	± .014	± .014	DRAFT WHERE APPLICABLE MUST REMAIN WITHIN DIMENSIONS							
0 PLACE ± ---	± .014	± .014	THIS DRAWING CONTAINS INFORMATION THAT IS PROPRIETARY TO MOLEX INCORPORATED AND SHOULD NOT BE USED WITHOUT WRITTEN PERMISSION							