



Chipsmall Limited consists of a professional team with an average of over 10 year of expertise in the distribution of electronic components. Based in Hongkong, we have already established firm and mutual-benefit business relationships with customers from,Europe,America and south Asia,supplying obsolete and hard-to-find components to meet their specific needs.

With the principle of “Quality Parts,Customers Priority,Honest Operation,and Considerate Service”,our business mainly focus on the distribution of electronic components. Line cards we deal with include Microchip,ALPS,ROHM,Xilinx,Pulse,ON,Everlight and Freescale. Main products comprise IC,Modules,Potentiometer,IC Socket,Relay,Connector.Our parts cover such applications as commercial,industrial, and automotives areas.

We are looking forward to setting up business relationship with you and hope to provide you with the best service and solution. Let us make a better world for our industry!



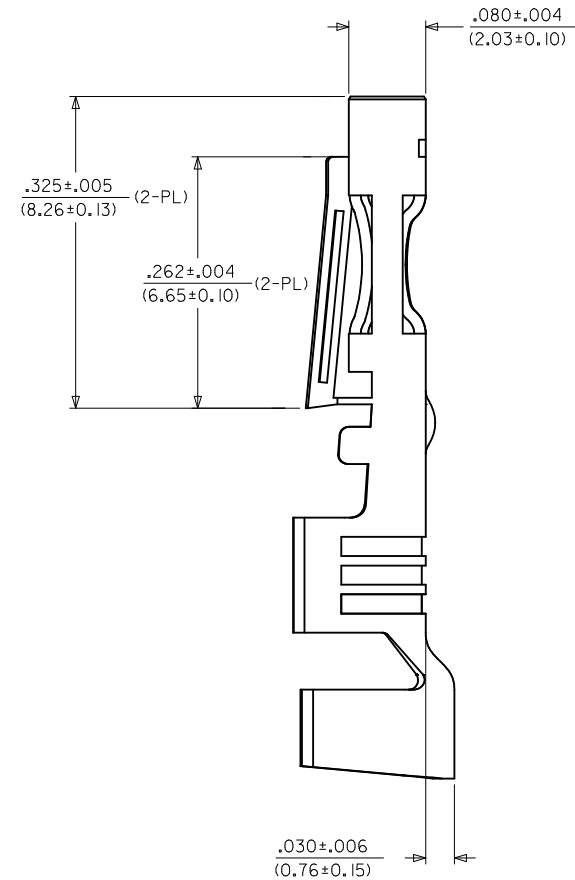
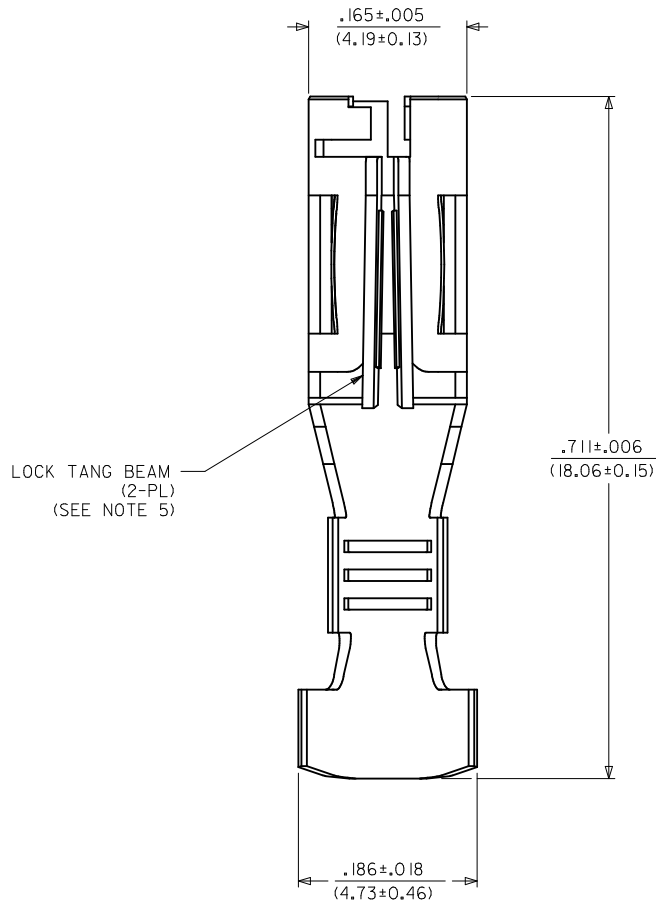
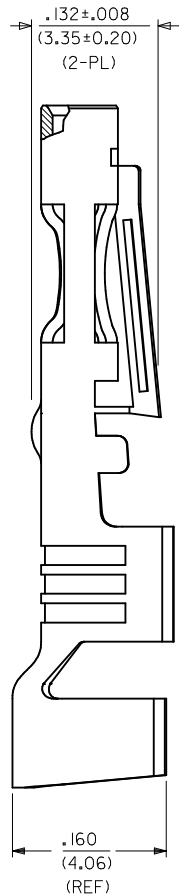
Contact us

Tel: +86-755-8981 8866 Fax: +86-755-8427 6832

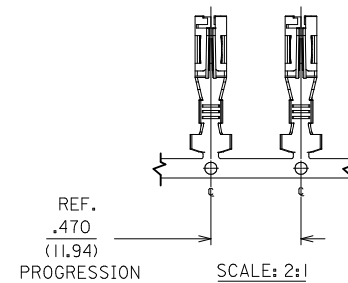
Email & Skype: info@chipsmall.com Web: www.chipsmall.com

Address: A1208, Overseas Decoration Building, #122 Zhenhua RD., Futian, Shenzhen, China





SMALL INSULATION CRIMP



NOTES:

1. SINGLE CRIMP TO #16 & #14 AWG WIRE, WITH .031/(0.79) MAXIMUM INSULATION THICKNESS.
2. MATERIAL: .012/(0.30) THICK C26000 BRASS.
3. FINISH: HOT TIN DIP.
4. PRODUCT SPECIFICATION : PSX-44441-9999.
5. NO PORTION OF ONE LOCK TANG BEAM SHALL TOUCH ANY PORTION OF THE OTHER LOCK TANG BEAM.

REMOVE #18 WIRE EC NO: UCP2010-1826 DRW:NAELHAG 2010/02/08 CHKD:BWIRKUS 2010/02/09 APPR:FSMLTH 2010/02/10	QUALITY SYMBOLS	GENERAL TOLERANCES (UNLESS SPECIFIED)		DIMENSION STYLE		SCALE	DESIGN UNITS	THIRD ANGLE PROJECTION	
	▽=0	mm	INCH	IN/MM		1:1	INCH		
	▽=0	4 PLACES ± --- ± ---	3 PLACES ± --- ± .005	DRAWN BY	DATE	TITLE			
	▽=0	2 PLACES ± 0.13 ± .01	1 PLACE ± 0.25 ± ---	CHECKED BY	DATE	TERMINAL, RECEPTACLE .125/(3.18) X .020/(.51) FLAT BLADE SYSTEM - TPA			
	ANGULAR ±1/2°	DRAFT WHERE APPLICABLE MUST REMAIN WITHIN DIMENSIONS		APPROVED BY	DATE	MOLEX MOLEX INCORPORATED			
				MATERIAL NO.	DOCUMENT NO.	SHEET NO.			
				43375-0001	SD-43375-0001	1 OF 1			
				THIS DRAWING CONTAINS INFORMATION THAT IS PROPRIETARY TO MOLEX INCORPORATED AND SHOULD NOT BE USED WITHOUT WRITTEN PERMISSION					