



Chipsmall Limited consists of a professional team with an average of over 10 year of expertise in the distribution of electronic components. Based in Hongkong, we have already established firm and mutual-benefit business relationships with customers from,Europe,America and south Asia,supplying obsolete and hard-to-find components to meet their specific needs.

With the principle of “Quality Parts,Customers Priority,Honest Operation,and Considerate Service”,our business mainly focus on the distribution of electronic components. Line cards we deal with include Microchip,ALPS,ROHM,Xilinx,Pulse,ON,Everlight and Freescale. Main products comprise IC,Modules,Potentiometer,IC Socket,Relay,Connector.Our parts cover such applications as commercial,industrial, and automotives areas.

We are looking forward to setting up business relationship with you and hope to provide you with the best service and solution. Let us make a better world for our industry!



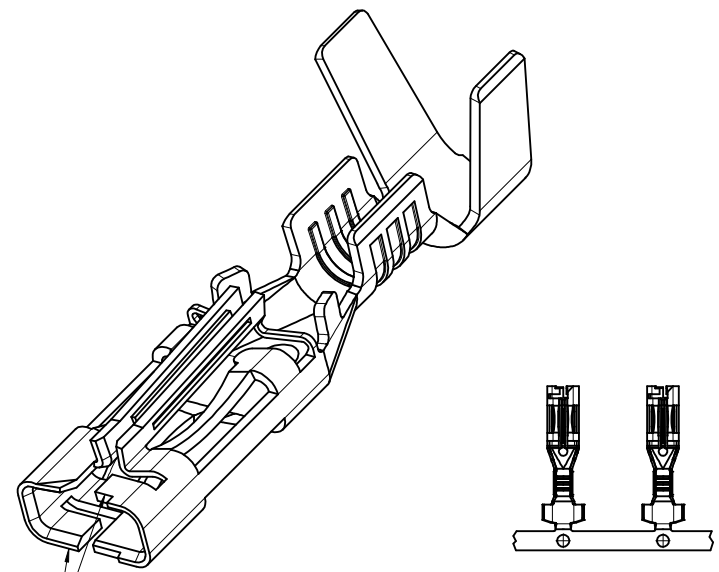
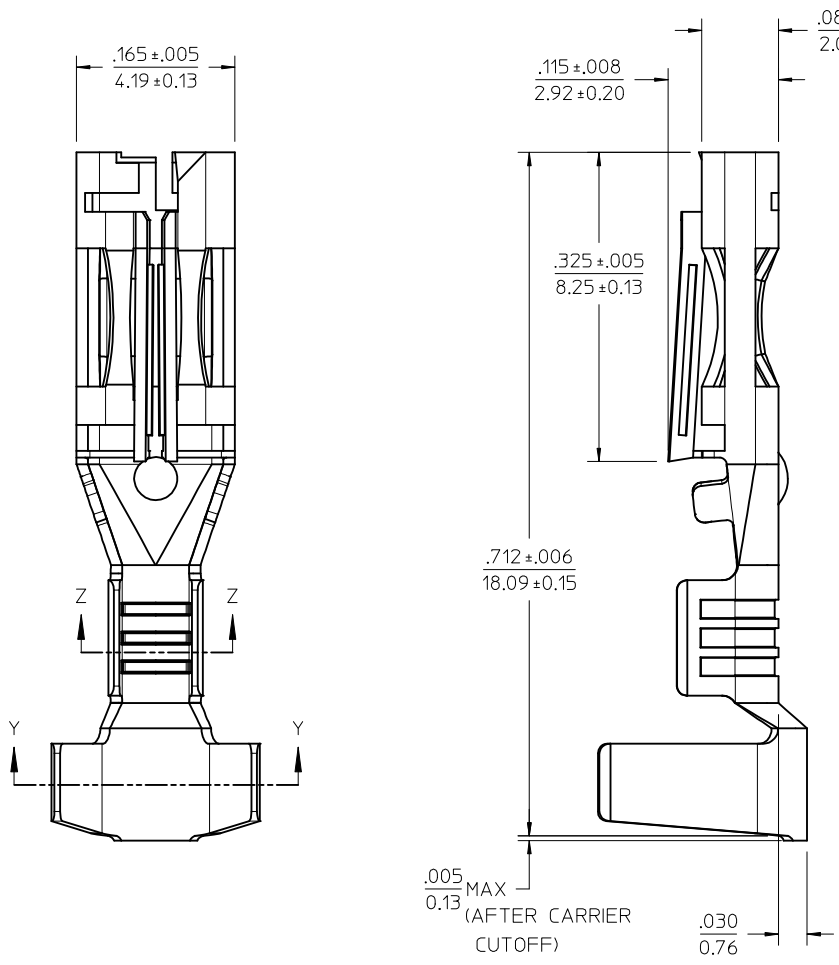
Contact us

Tel: +86-755-8981 8866 Fax: +86-755-8427 6832

Email & Skype: info@chipsmall.com Web: www.chipsmall.com

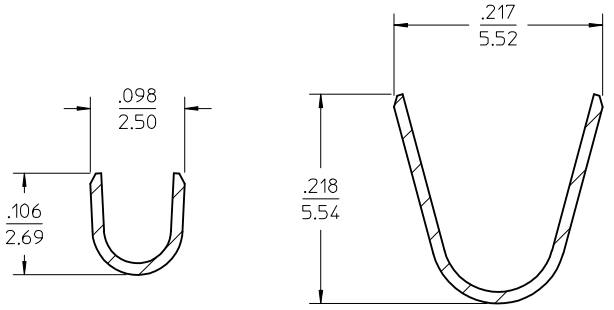
Address: A1208, Overseas Decoration Building, #122 Zhenhua RD., Futian, Shenzhen, China





CARRIER STRIP PROGRESSION
SCALE 2:1

- NOTES:
1. MATERIAL: BRASS
 2. FINISH: 20 MICROINCH / (0.5 MICROMETER) MIN. HOT TIN DIP OVERALL.
 3. PRODUCT SPECIFICATION: PS-44441-001.
 4. PACKAGING: TERMINALS WOUND ON 24" REELS WITH PAPER INTERLEAF.
 5. THIS TERMINAL FOR USE WITH 18-20 AWG STRANDED WIRE, UL STYLE 1015, 1056 OR SPT-3 WIRE, .180/4.57 MAXIMUM INSULATION DIAMETER.
 6. TERMINAL MATES TO .125/3.18 WIDE X .020/0.51 THICK FLAT BLADE TERMINALS. MATING CRIMP TERMINAL: 43178 SERIES.
 7. TERMINAL HAS TPA (TOTAL POSITIONING ASSURANCE) OPTIONAL ACTIVATION FEATURE THAT WHEN ACTIVATED AND USED WITH MOLEX "SABRE" SERIES RECEPTACLE HOUSINGS, PROVIDES SECONDARY LOCK SYSTEM WHICH ENSURES AGAINST TERMINAL BACKOUTS.



SECTION Z-Z
CONDUCTOR CRIMP

SECTION Y-Y
INSULATION CRIMP

ENTER DESCRIPTION EC NO: UCP2009-1607 DRWN:BWIRKUS 2009/04/20 CHKD:BWIRKUS 2009/04/21 APPR:BWIRKUS 2009/04/22	QUALITY SYMBOLS ▽=0 ▽=0	GENERAL TOLERANCES (UNLESS SPECIFIED)		DIMENSION STYLE IN/MM	SCALE 10:1	DESIGN UNITS INCH	THIRD ANGLE PROJECTION
		4 PLACES ± --- ± --- 3 PLACES ± --- ± .010 2 PLACES ± 0.25 ± .014 1 PLACE ± 0.35 ± ---	mm INCH	DRAWN BY DATE BWIRKUS 4-17-2009	CHECKED BY DATE BWIRKUS 4-17-2009	TITLE TERMINAL, FEM, 18-20 AWG .125/(3.18) WIDE, W/TPA UL 1015, 1056 OR SPT-3	
REV A	DRAFT WHERE APPLICABLE MUST REMAIN WITHIN DIMENSIONS	ANGULAR ±1/2°		APPROVED BY DATE APATEL 4-20-2009	MOLEX MOLEX INCORPORATED		
		MATERIAL NO. 433753001		DOCUMENT NO. SD-43375-311		SHEET NO. 1 OF 1	
THIS DRAWING CONTAINS INFORMATION THAT IS PROPRIETARY TO MOLEX INCORPORATED AND SHOULD NOT BE USED WITHOUT WRITTEN PERMISSION							