



Chipsmall Limited consists of a professional team with an average of over 10 year of expertise in the distribution of electronic components. Based in Hongkong, we have already established firm and mutual-benefit business relationships with customers from,Europe,America and south Asia,supplying obsolete and hard-to-find components to meet their specific needs.

With the principle of “Quality Parts,Customers Priority,Honest Operation,and Considerate Service”,our business mainly focus on the distribution of electronic components. Line cards we deal with include Microchip,ALPS,ROHM,Xilinx,Pulse,ON,Everlight and Freescale. Main products comprise IC,Modules,Potentiometer,IC Socket,Relay,Connector.Our parts cover such applications as commercial,industrial, and automotives areas.

We are looking forward to setting up business relationship with you and hope to provide you with the best service and solution. Let us make a better world for our industry!



## Contact us

Tel: +86-755-8981 8866 Fax: +86-755-8427 6832

Email & Skype: info@chipsmall.com Web: www.chipsmall.com

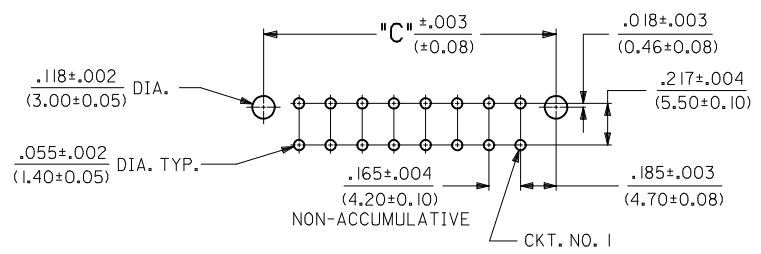
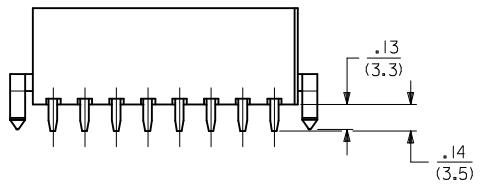
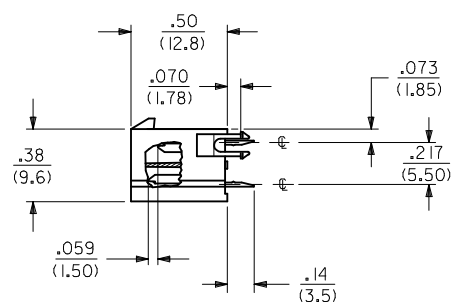
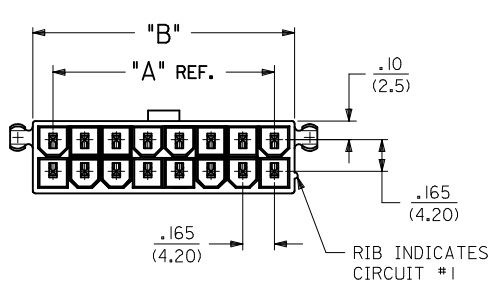
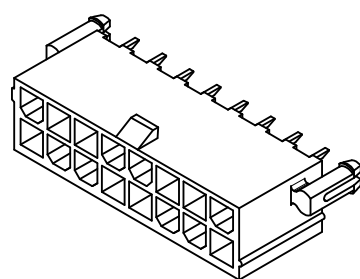
Address: A1208, Overseas Decoration Building, #122 Zhenhua RD., Futian, Shenzhen, China



	13	12	11	10	9	8	7	6	5	4	3	2	1
	CIRCUIT SIZE	DIM. "A"	DIM. "B"	DIM. "C"									
J	2	—	.21 (5.4)	.370 (9.40)									
	4	.17 (4.2)	.38 (9.6)	.535 (13.60)									
	6	.33 (8.4)	.54 (13.8)	.701 (17.80)									
I	8	.50 (12.6)	.71 (18.0)	.866 (22.00)									
	10	.66 (16.8)	.87 (22.2)	1.031 (26.20)									
	12	.83 (21.0)	1.04 (26.4)	1.197 (30.40)									
H	14	.99 (25.2)	1.20 (30.6)	1.362 (34.60)									
	16	1.16 (29.4)	1.37 (34.8)	1.528 (38.80)									
	18	1.32 (33.6)	1.54 (39.0)	1.693 (43.00)									
G	20	1.49 (37.8)	1.70 (43.2)	1.858 (47.20)									
	22	1.65 (42.0)	1.87 (47.4)	2.024 (51.40)									
	24	1.82 (46.2)	2.03 (51.6)	2.189 (55.60)									

**NOTES:**

- HOUSING MATERIAL AND OPTIONS:  
SEE CHARACTERISTICS LEGEND ON SHEET 2  
TERMINAL MATERIAL: BRASS ALLOY
- TERMINAL PLATING:  
"A"= .000100/(.00254) MIN. MATTE TIN OVER .000050/(.00127) MIN. NICKEL  
"D"= .000100/(.00254) MIN. BRIGHT TIN OVER .000050/(.00127) MIN. NICKEL.  
"E"= .000030/(.00076) MIN. SELECT HARD GOLD, .000100/(.00254) MIN. SELECT MATTE TIN, OVER .000050/(.00127) MIN. NICKEL OVERALL
- PRODUCT SPECIFICATION: PS-5556-001
- PACKAGING SPECIFICATION: SEE CHART ON SHEET 2
- PART MATES WITH MINI-FIT JR RECPTACLE #5557
- ITEM NUMBERS PRECEDED BY AN "X" IN THE CHART ARE NOT AVAILABLE
- PART CONFORMS TO CLASS "B" REQUIREMENTS OF COSMETIC SPECIFICATION PS-45499-002
- CONNECTOR ASSEMBLIES ARE NOT TO BE MATED OR UNMATED WHILE CIRCUITS ARE LIVE
- PARTS ARE NOT DESIGNED FOR CURRENT SHARING.



**RECOMMENDED HOLE LAYOUT FOR .070/(1.78) MAX. THICK P.C. BOARD**

VIEWED FROM COMPONENT SIDE

ADD 43460-0017	2015/07/30	QUALITY SYMBOLS
EC NO: UCP2016-0461	2015/07/30	▽=0
DRWIN: MONT	2015/07/30	▽=0
CHKD: IBELL	2015/08/10	▽=0
APPR: FSMITH		
REV: D14		

GENERAL TOLERANCES (UNLESS SPECIFIED)	
4 PLACES	± .005
3 PLACES	± .015
2 PLACES	± .020
1 PLACE	± .050
0 PLACE	±
ANGULAR ±1/2°	
DRAFT WHERE APPLICABLE MUST REMAIN WITHIN DIMENSIONS	

DIMENSION STYLE	
IN/MM	
DRAWN BY	DATE
AFG	1994/12/14
CHECKED BY	DATE
RJF	1994/12/14
APPROVED BY	DATE
FSMITH	2011/06/17
MATERIAL NO.	
SEE SHEET 2	

SCALE	DESIGN UNITS	THIRD ANGLE PROJECTION
2:1	METRIC	
TITLE		
2-24 CKT VERT HDR ASSY		
MIN-FIT JR MF/BL		
W/WO PEGS		
<b>molex</b>		
DOCUMENT NO.	SHEET NO.	
SDA-43460-****	1 OF 2	
THIS DRAWING CONTAINS INFORMATION THAT IS PROPRIETARY TO MOLEX. INCORPORATED AND SHOULD NOT BE USED WITHOUT WRITTEN PERMISSION		

ITEM NO.	CHARACTERISTIC DESCRIPTION	TERMINAL VERSION REQUIRED AT EACH CIRCUIT LOCATION: (SEE CODES AT RIGHT)																								PACKAGING
		1	2	3	4	5	6	7	8	9	10	11	12	13	14	15	16	17	18	19	20	21	22	23	24	
J	43460-0001	I	I	8	8	-	-	-	-	-	-	-	-	-	-	-	-	-	-	-	-	-	-	-	-	BULK
	43460-0002	I	I	8	8	-	-	-	-	-	-	-	-	-	-	-	-	-	-	-	-	-	-	-	-	BULK
	43460-0003	I	I	8	8	-	-	-	-	-	-	-	-	-	-	-	-	-	-	-	-	-	-	-	-	BULK
	43460-0004	I	I	8	8	-	-	-	-	-	-	-	-	-	-	-	-	-	-	-	-	-	-	-	-	BULK
I	43460-0005	I	8	8	8	8	8	-	-	-	-	-	-	-	-	-	-	-	-	-	-	-	-	-	-	BULK
	43460-0006	I	8	8	8	8	8	-	-	-	-	-	-	-	-	-	-	-	-	-	-	-	-	-	-	BULK
	43460-0007	I	I	8	I	-	-	-	-	-	-	-	-	-	-	-	-	-	-	-	-	-	-	-	-	BULK
	43460-0008	8	8	8	1	-	-	-	-	-	-	-	-	-	-	-	-	-	-	-	-	-	-	-	-	BULK
H	43460-0009	I	8	8	8	8	8	8	8	8	8	8	8	1	-	-	-	-	-	-	-	-	-	-	-	BULK
	43460-0010	8	8	8	1	-	-	-	-	-	-	-	-	-	-	-	-	-	-	-	-	-	-	-	-	BULK
	43460-0011	9	5	-	-	-	-	-	-	-	-	-	-	-	-	-	-	-	-	-	-	-	-	-	-	BULK
	43460-0012	8	1	-	-	-	-	-	-	-	-	-	-	-	-	-	-	-	-	-	-	-	-	-	-	PK-5566-001
G	43460-0013	8	1	8	8	8	1	8	8	-	-	-	-	-	-	-	-	-	-	-	-	-	-	-	-	PK-5566-001
	43460-0014	1	8	8	8	-	-	-	-	-	-	-	-	-	-	-	-	-	-	-	-	-	-	-	-	PK-5566-001
	43460-0015	1	8	8	8	8	8	8	8	8	8	8	8	1	1	8	8	8	8	8	8	8	8	8	1	PK-5566-001
	43460-0016	3	10	10	10	10	10	10	10	10	10	10	3	3	10	10	10	10	10	10	10	10	10	3	PK-5566-001	
F	43460-0017	10	10	10	3	3	10	-	-	-	-	-	-	-	-	-	-	-	-	-	-	-	-	-	-	PK-5566-001

TERM. CODES FOR CHART AT LEFT		
TERMINAL NO.	PLATING /	MATERIAL
I=MAKE-FIRST	A	BRASS
3=MAKE-FIRST	E	BRASS
5=MAKE-FIRST	D	BRASS
8=STANDARD	A	BRASS
9=STANDARD	D	BRASS
10=STANDARD	E	BRASS

CHARACTERISTICS LEGEND:

CIRCUIT SIZE: \_\_\_\_\_ \*\* \* \* \*

(02-24)

HOUSING MATERIAL AND OPTIONS: \_\_\_\_\_

\*A\*=NYLON 6/6, UNFILLED U.L. 94V-2, WITH PEGS, COLOR: NATURAL.  
 \*B\*=NYLON 6/6, UNFILLED U.L. 94V-0, WITH PEGS, COLOR: NATURAL.  
 \*E\*=NYLON 6/6, UNFILLED U.L. 94V-2, WITHOUT PEGS, COLOR: NATURAL.  
 \*F\*=NYLON 6/6, UNFILLED U.L. 94V-0, WITHOUT PEGS, COLOR: NATURAL.

TERMINAL MATERIAL: \_\_\_\_\_

\*A\*=BRASS ALLOY

TERMINAL PLATING (SEE NOTE 2): \_\_\_\_\_

\*A\*= 100 MIN. MATTE TIN OVER 50 MIN. NICKEL  
 \*D\*= 100 MIN. TIN OVER 50 MIN. NICKEL  
 \*E\*= 30 MIN. GOLD AND 100 MIN. MATTE TIN OVER 50 MIN. NICKEL

SEE SHEET 1 DEC NO: UCP2016-0461 DRWN: JMOYI 2015/07/30 CHKD: JBEL 2015/07/30 APPR: FSMITH 2015/08/10	QUALITY SYMBOLS	GENERAL TOLERANCES (UNLESS SPECIFIED)	DIMENSION STYLE	SCALE	DESIGN UNITS	THIRD ANGLE PROJECTION
	▽=0	mm INCH	IN/MM	1:1	METRIC	☉
	▽=0	4 PLACES ± --- ± ---	DRAWN BY DATE	TITLE		
	▽=0	3 PLACES ± --- ± .015	AFG 1994/12/14	2-24 CKT VERT HDR ASSY		
	▽=0	2 PLACES ± 0.38 ± .020	CHECKED BY DATE	MIN-FIT JR MF/BL		
	1 PLACE ± 0.50 ± ---	RJF 1994/12/14	W/WO PEGS			
	0 PLACE ± ±	APPROVED BY DATE	<b>molex</b>			
		FSMITH 2011/06/17	MATERIAL NO.	DOCUMENT NO.	SHEET NO.	
			SEE CHART	SDA-43460-****	2 OF 2	
			THIS DRAWING CONTAINS INFORMATION THAT IS PROPRIETARY TO MOLEX INCORPORATED AND SHOULD NOT BE USED WITHOUT WRITTEN PERMISSION			