



Chipsmall Limited consists of a professional team with an average of over 10 year of expertise in the distribution of electronic components. Based in Hongkong, we have already established firm and mutual-benefit business relationships with customers from,Europe,America and south Asia,supplying obsolete and hard-to-find components to meet their specific needs.

With the principle of “Quality Parts,Customers Priority,Honest Operation,and Considerate Service”,our business mainly focus on the distribution of electronic components. Line cards we deal with include Microchip,ALPS,ROHM,Xilinx,Pulse,ON,Everlight and Freescale. Main products comprise IC,Modules,Potentiometer,IC Socket,Relay,Connector.Our parts cover such applications as commercial,industrial, and automotives areas.

We are looking forward to setting up business relationship with you and hope to provide you with the best service and solution. Let us make a better world for our industry!



## Contact us

Tel: +86-755-8981 8866 Fax: +86-755-8427 6832

Email & Skype: info@chipsmall.com Web: www.chipsmall.com

Address: A1208, Overseas Decoration Building, #122 Zhenhua RD., Futian, Shenzhen, China

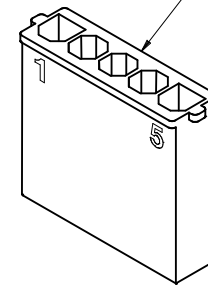


ITEM NUMBER	MATERIAL	COLOR
43680-2005	NYLON 66, UL94V-0	BLACK
43680-1005	NYLON PA66, UL94V-2	NATURAL (TRANSLUCENT)
43680-3005	NYLON, UL94V-2, IEC 60335-1 GLOW-WIRE CAPABLE	BLACK

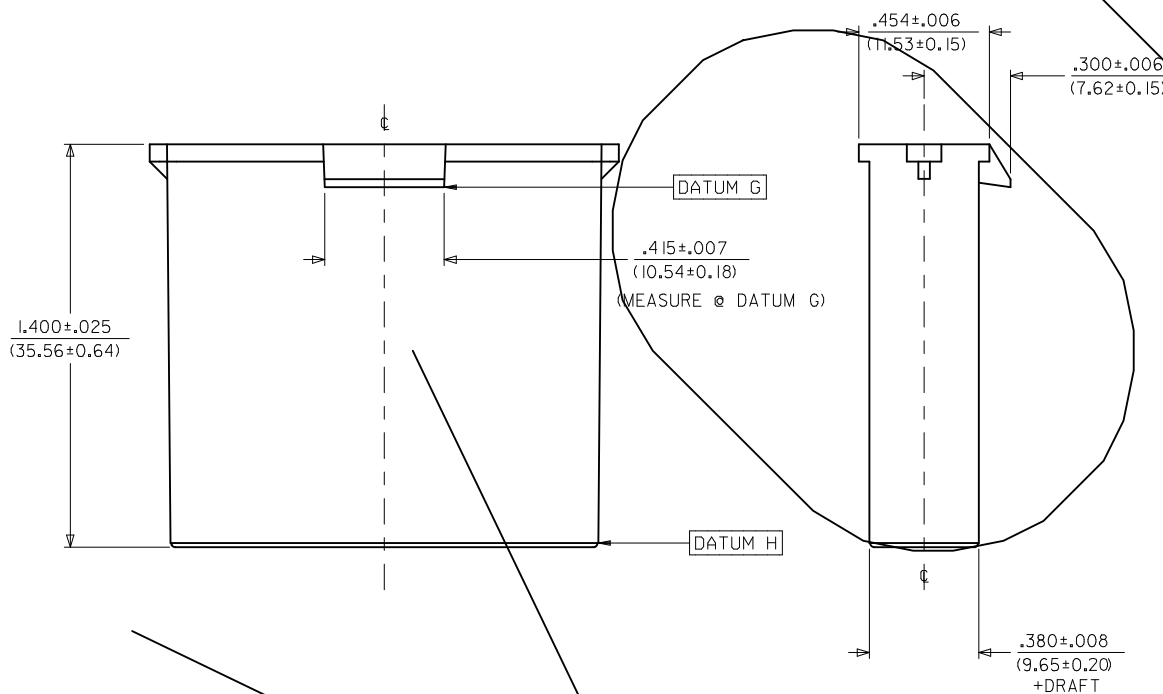
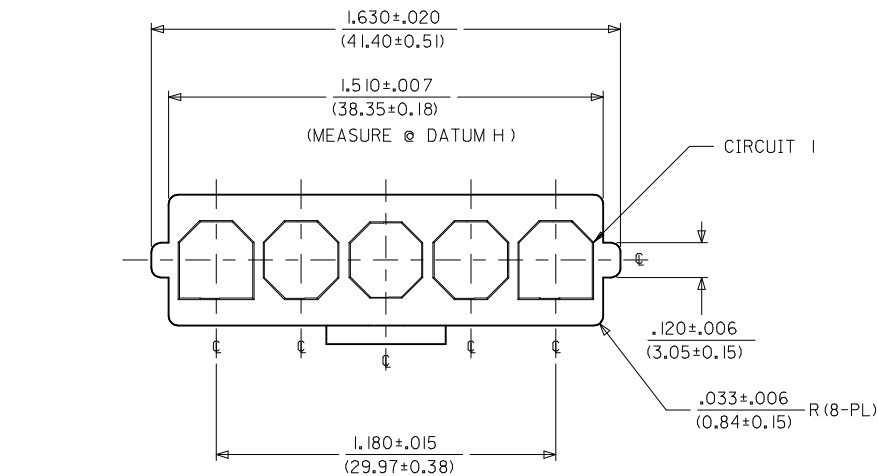
NOTE:

1. MATERIAL: SEE CHART.
2. FINISH: NONE.
3. PRODUCT SPECIFICATION: PS-44441-9999.
4. PACKAGING: PK-43680-001.
5. THIS CONNECTOR HOUSING FOR USE WITH 43178-\*\*\*\* TERMINALS.
6. THIS CONNECTOR HOUSING WILL MATE TO 43335-\*\*\*5, 43179-\*\*\*5 AND 44441-\*\*\*5 HOUSINGS.
7. PARTS CONFORM TO CLASS B REQUIREMENTS OF COSMETIC SPEC PS-45499-002.  
- SOME PARTS MAY HAVE A BLEMISH NEAR THE GATE THAT DOES NOT AFFECT FUNCTIONALITY.

LOCKING NUB IS LOCATED HERE



43680-\*005  
(NO SCALE)

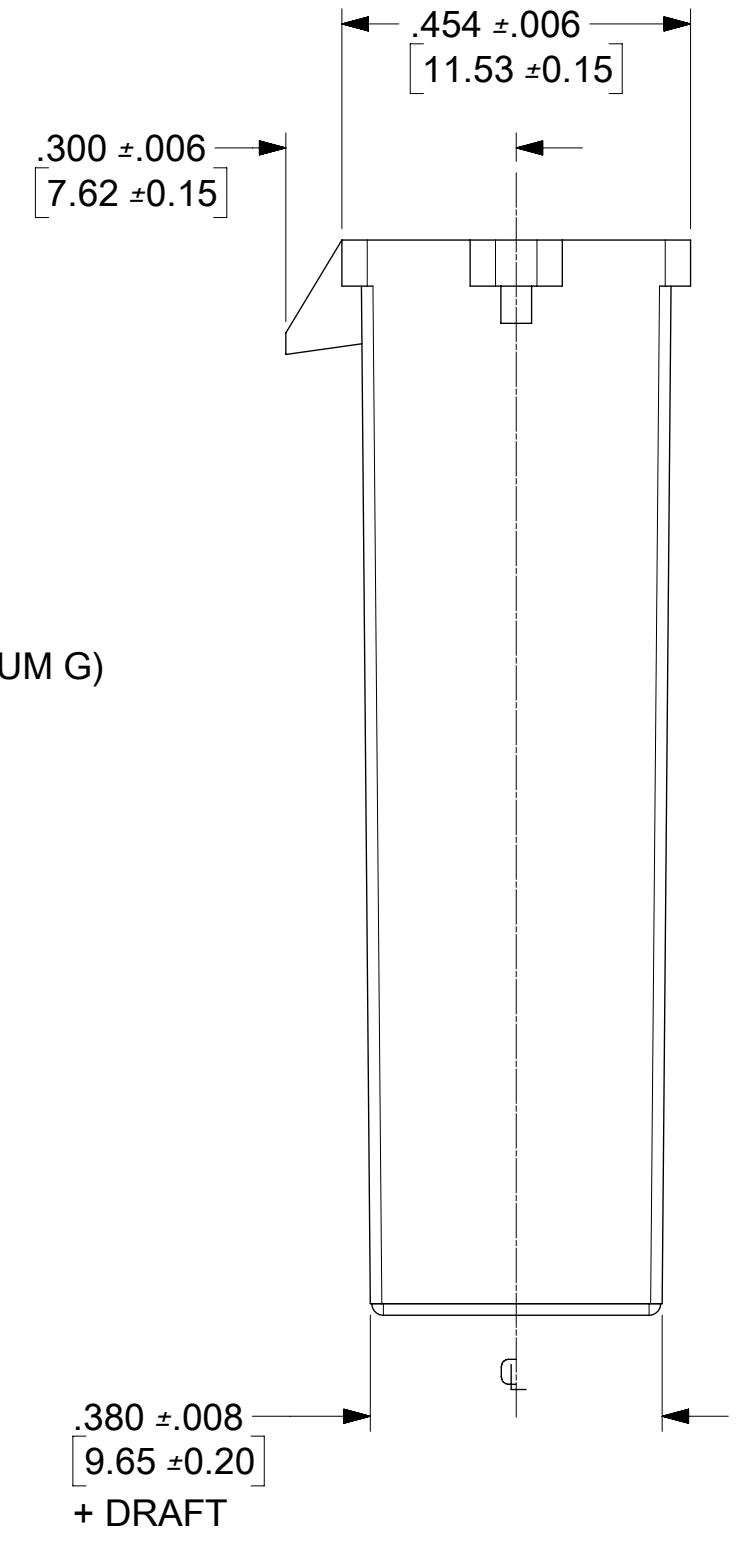
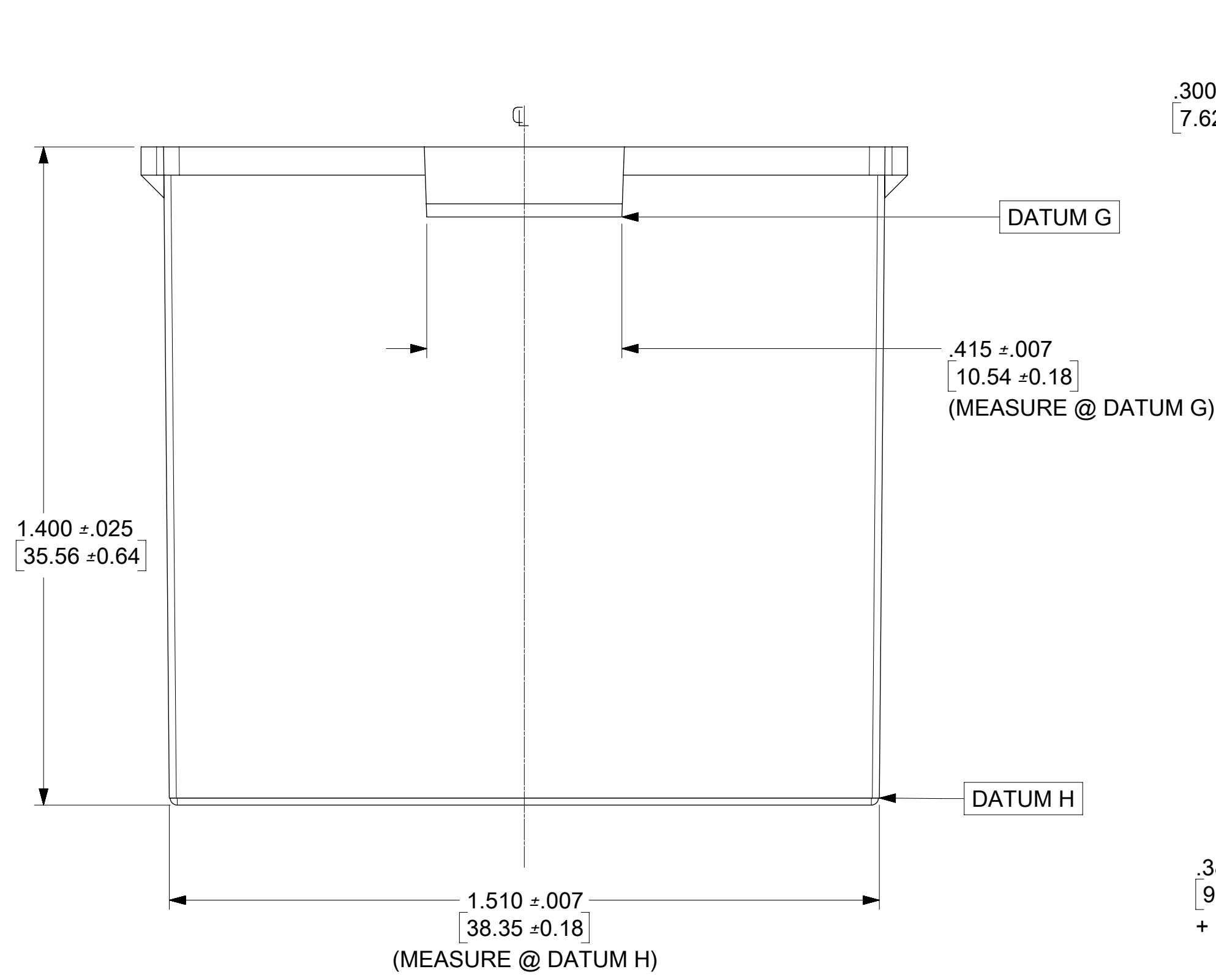
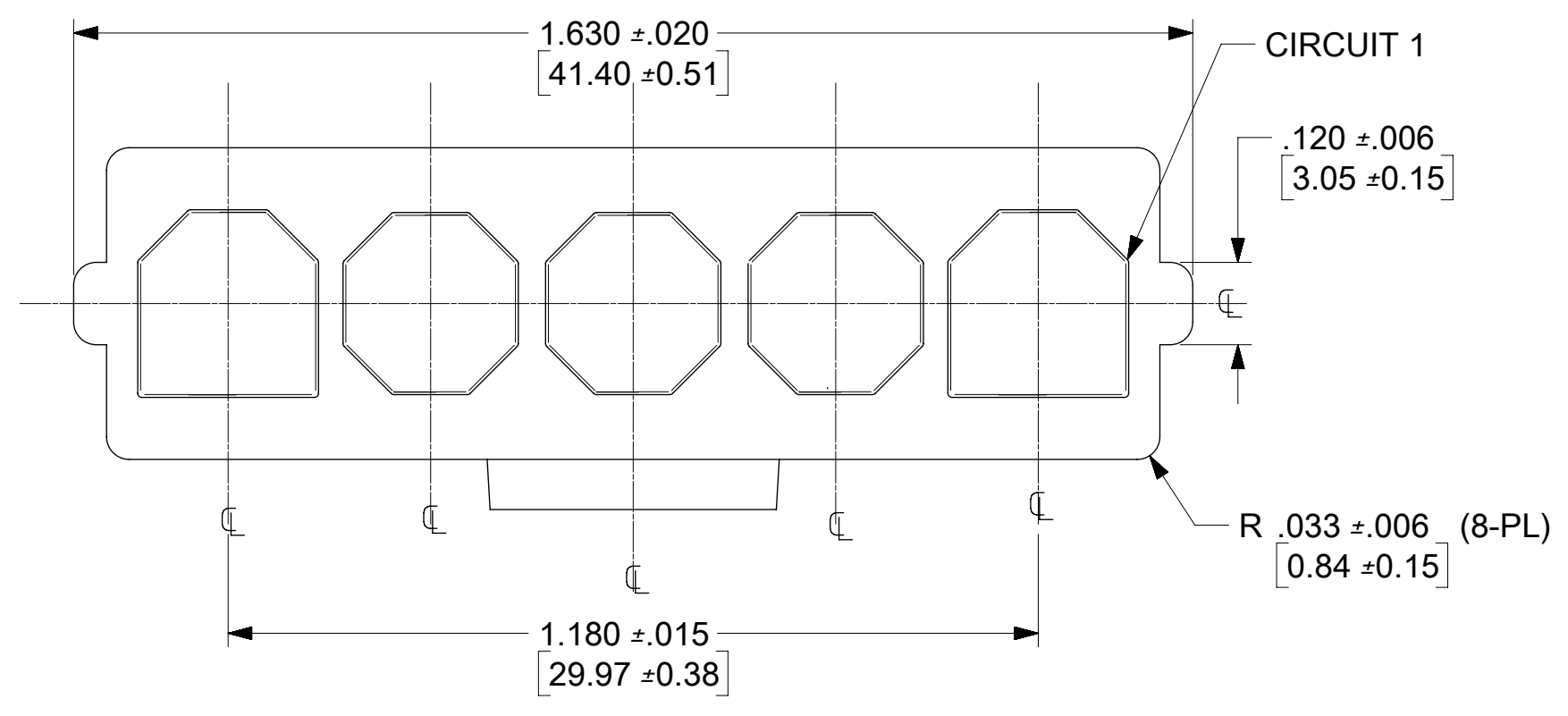


VOID EC NO: UCP2017-0974 DRWING: BANDURA 2016/10/31 CHKD: APPR: BP1/SZCZOR 2016/11/03 REV:	QUALITY SYMBOLS	GENERAL TOLERANCES (UNLESS SPECIFIED)	DIMENSION STYLE IN/MM	SCALE 4:1	DESIGN UNITS INCH	THIRD ANGLE PROJECTION
	▽=0	4 PLACES ± --- ± ---	mm INCH	DRAWN BY AELHAG	DATE 2010/09/20	TITLE 5-CIR. PLUG HOUSING
	▽=0	3 PLACES ± --- ±.010		CHECKED BY JBELL	DATE 2013/12/18	VOID .125/(3.18)X.020/(0.51)
	▽=0	2 PLACES ±0.25 ±.014		APPROVED BY FSMITH	DATE 2014/03/31	SABRE - TPA
		1 PLACE ±0.35 ± ---				<b>molex</b>
		0 PLACE ± --- ± ---				DOCUMENT NO. SD-43680-*005
		ANGULAR ±1/2°				SHEET NO. 1 OF 1
		DRAFT WHERE APPLICABLE MUST REMAIN WITHIN DIMENSIONS				
			SIZE C	THIS DRAWING CONTAINS INFORMATION THAT IS PROPRIETARY TO MOLEX INCORPORATED AND SHOULD NOT BE USED WITHOUT WRITTEN PERMISSION		

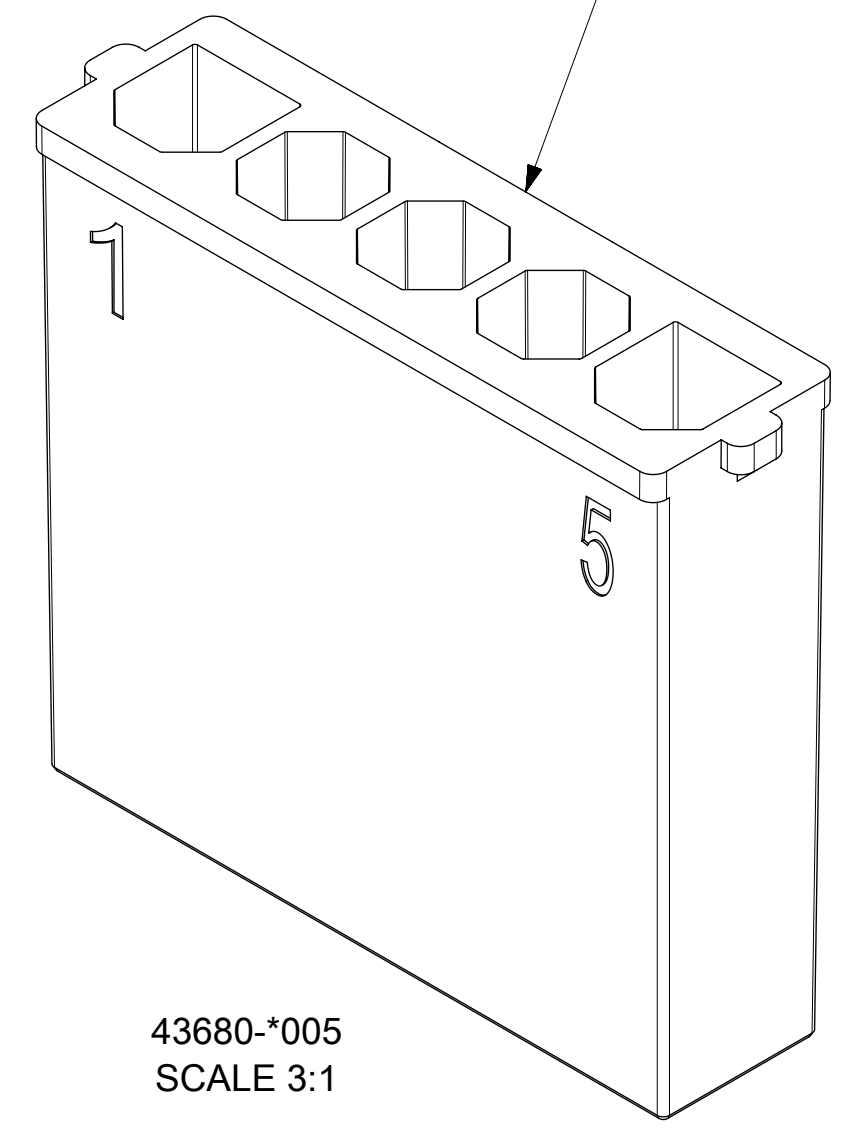
ITEM NUMBER	MATERIAL	COLOR
43680-2005	NYLON 66, UL94V-0	BLACK
43680-1005	NYLON PA66, UL94V-2	NATURAL (TRANSLUCENT)
43680-3005	NYLON, UL94V-2, IEC 60335-1 GLOW-WIRE CAPABLE	BLACK

NOTE:

1. MATERIAL: SEE CHART.
2. FINISH: NONE.
3. PRODUCT SPECIFICATION: PS-44441-9999.
4. PACKAGING: PK-43680-001.
5. THIS CONNECTOR HOUSING FOR USE WITH 43178-\*\*\*\* TERMINALS.
6. THIS CONNECTOR HOUSING WILL MATE TO 43335-\*\*\*5, 43179-\*\*\*5 AND 44441-\*\*\*5 HOUSINGS.
7. PARTS CONFORM TO CLASS B REQUIREMENTS OF COSMETIC SPEC PS-45499-002. - SOME PARTS MAY HAVE A BLEMISH NEAR THE GATE THAT DOES NOT AFFECT FUNCTIONALITY.



LOCKING NUB IS LOCATED HERE



43680-\*005  
SCALE 3:1

THIS DRAWING CONTAINS INFORMATION THAT IS PROPRIETARY TO MOLEX ELECTRONIC TECHNOLOGIES, LLC AND SHOULD NOT BE USED WITHOUT WRITTEN PERMISSION

RE-MASTERED IN ELECTRICAL EC NO: 111498 DRWN: RMV02 CHKD: BPISSZCZOR REV APPR: BPISSZCZOR	2016/04/19	2016/12/15	GENERAL TOLERANCES (UNLESS SPECIFIED)	DIMENSION UNITS: HYBRID	SCALE: 4:1	<p>5-CIR. PLUG HOUSING .125/[3.18]X.020/[0.51] SABRE - TPA</p>	
	ANGULAR TOL ± 0.5 °		DRWN BY: AELHAG	DATE: 2010/09/20	<p>PRODUCT CUSTOMER DRAWING</p>		
	4 PLACES ±	CHKD BY: JBELL	DATE: 2013/12/18	<p>SERIES: 43680 MATERIAL NUMBER: SEE CHART CUSTOMER: GENERAL MARKET</p>			
	3 PLACES ± 0.01	APPR BY: FSMITH	DATE: 2014/03/31				
2 PLACES ± 0.014	DRAWING SIZE: C THIRD ANGLE PROJECTION		DOCUMENT NUMBER: 436800005		DOC TYPE: PSD	DOC PART: 000	SHEET NUMBER: 1 OF 1
1 PLACE ±	DRAFT WHERE APPLICABLE MUST REMAIN WITHIN DIMENSIONS						
0 PLACES ±							