



Chipsmall Limited consists of a professional team with an average of over 10 year of expertise in the distribution of electronic components. Based in Hongkong, we have already established firm and mutual-benefit business relationships with customers from,Europe,America and south Asia,supplying obsolete and hard-to-find components to meet their specific needs.

With the principle of "Quality Parts,Customers Priority,Honest Operation,and Considerate Service",our business mainly focus on the distribution of electronic components. Line cards we deal with include Microchip,ALPS,ROHM,Xilinx,Pulse,ON,Everlight and Freescale. Main products comprise IC,Modules,Potentiometer,IC Socket,Relay,Connector.Our parts cover such applications as commercial,industrial, and automotives areas.

We are looking forward to setting up business relationship with you and hope to provide you with the best service and solution. Let us make a better world for our industry!



Contact us

Tel: +86-755-8981 8866 Fax: +86-755-8427 6832

Email & Skype: info@chipsmall.com Web: www.chipsmall.com

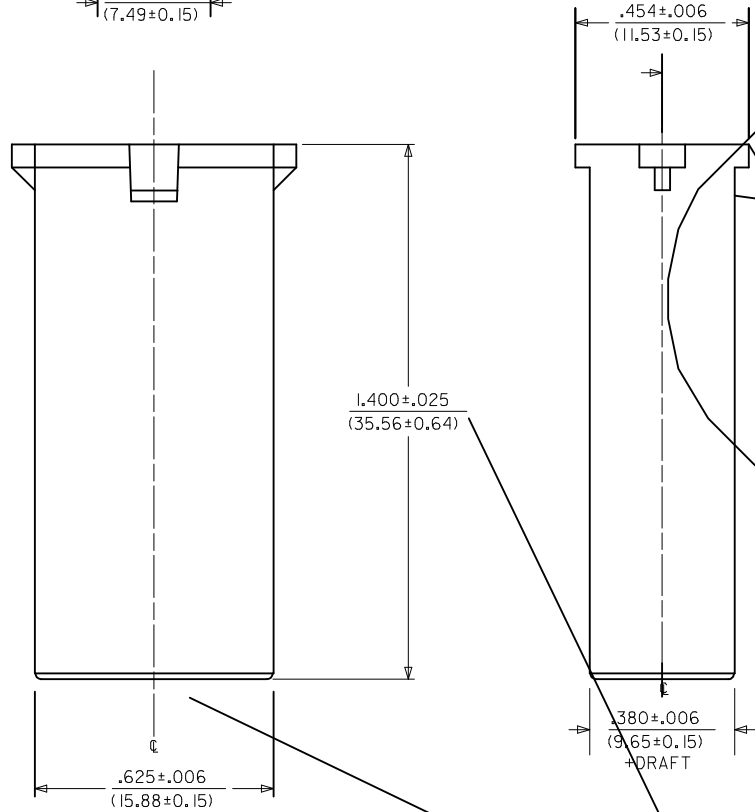
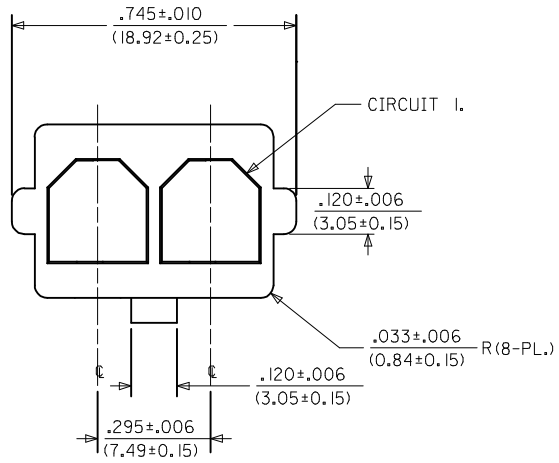
Address: A1208, Overseas Decoration Building, #122 Zhenhua RD., Futian, Shenzhen, China



ITEM NUMBER	MATERIAL	COLOR
43680-2002	UL94V-0 NYLON	BLACK
43680-1002	UL94V-2 NYLON	NATURAL (TRANSLUCENT)
43680-3002	UL94V-2 NYLON, IEC 60335-1, GLOW WIRE CAPABLE	BLACK

NOTES:

1. MATERIAL: SEE CHART.
2. FINISH: NONE.
3. PRODUCT SPECIFICATION: PS-44441-9999.
4. PACKAGING: PK-43680-001.
5. THIS CONNECTOR HOUSING FOR USE WITH 43178-**** TERMINALS.
6. THIS CONNECTOR HOUSING WILL MATE TO 43335-***2, 43179-***2 AND 44441-***2 HOUSINGS.
7. PARTS CONFORM TO CLASS B REQUIREMENTS OF COSMETIC SPEC PS-45499-002.
- SOME PARTS MAY HAVE A BLEMISH NEAR THE GATE THAT DOES NOT AFFECT FUNCTIONALITY.



LOCKING NUB IS LOCATED HERE

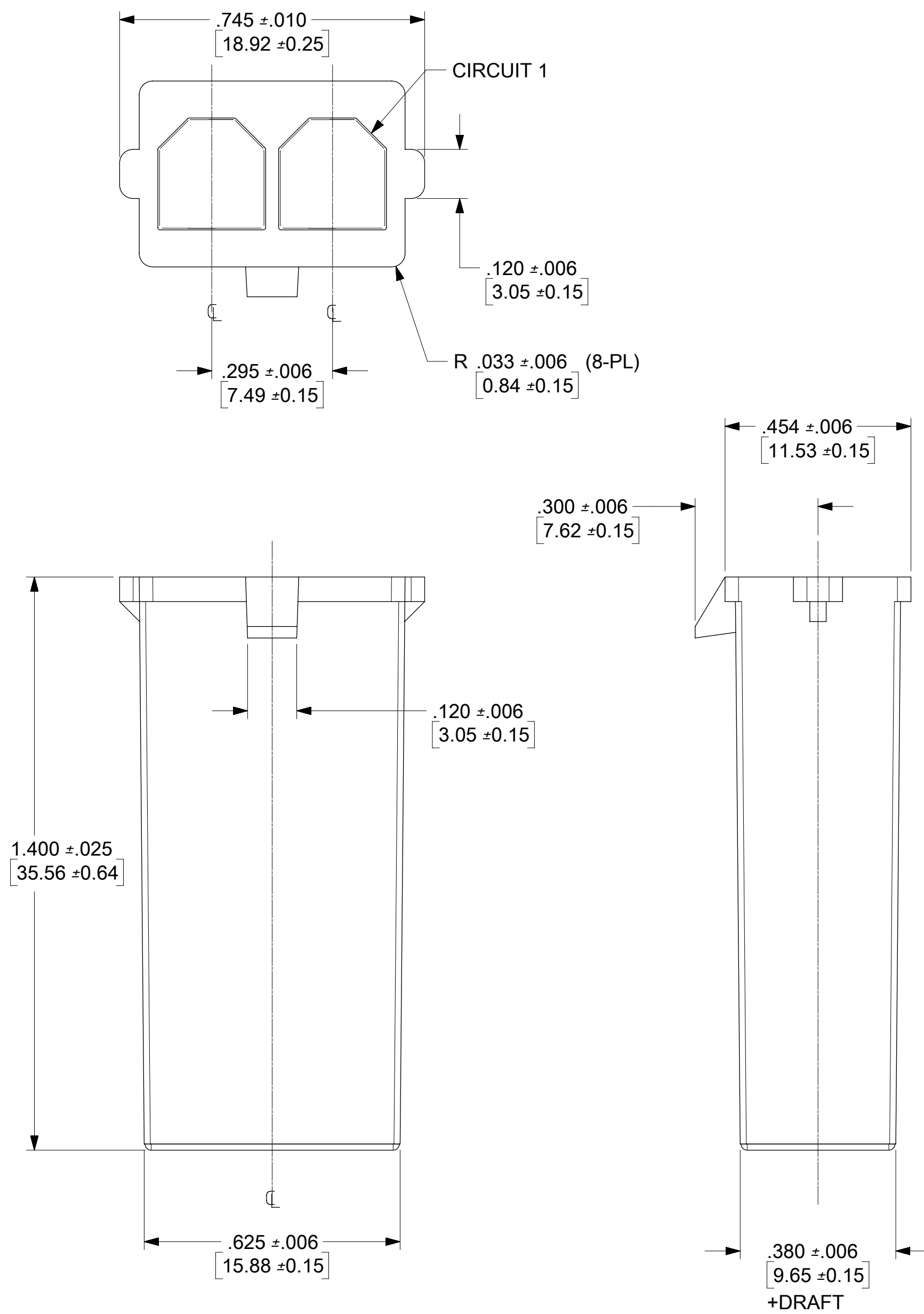


43680-*002
(NO SCALE)

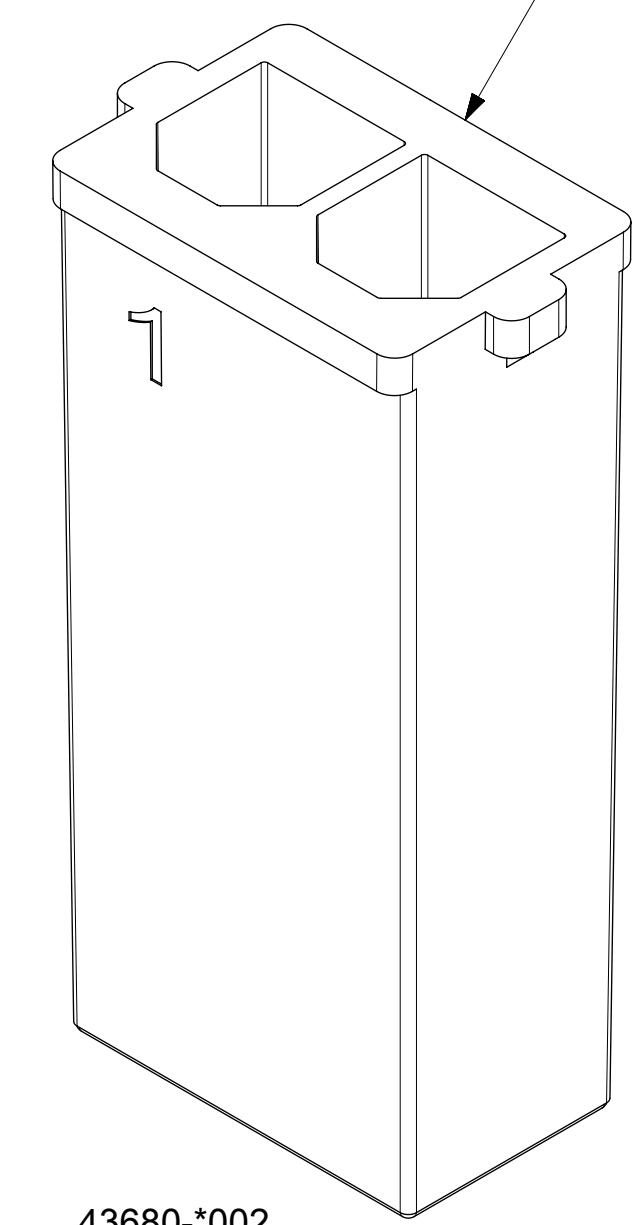
VOID IEC NO: UCP2017-0974 DRAWN BY: BANDURA 2016/10/31 CHKD: APPR: BPT/SZCZOR 2016/11/03 REV:	QUALITY SYMBOLS	GENERAL TOLERANCES (UNLESS SPECIFIED)	DIMENSION STYLE	SCALE	DESIGN UNITS	THIRD ANGLE PROJECTION																																				
	$\nabla = 0$ $\nabla = 0$ $\nabla = 0$	<table border="1"> <thead> <tr> <th></th> <th>mm</th> <th>INCH</th> </tr> </thead> <tbody> <tr> <td>4 PLACES</td> <td>± ---</td> <td>± ---</td> </tr> <tr> <td>3 PLACES</td> <td>± ---</td> <td>± .010</td> </tr> <tr> <td>2 PLACES</td> <td>± 0.25</td> <td>± .014</td> </tr> <tr> <td>1 PLACE</td> <td>± 0.35</td> <td>± ---</td> </tr> <tr> <td>0 PLACE</td> <td>± ---</td> <td>± ---</td> </tr> </tbody> </table>		mm	INCH	4 PLACES	± ---	± ---	3 PLACES	± ---	± .010	2 PLACES	± 0.25	± .014	1 PLACE	± 0.35	± ---	0 PLACE	± ---	± ---	<table border="1"> <thead> <tr> <th>IN/MM</th> <th>DRAWN BY</th> <th>DATE</th> </tr> </thead> <tbody> <tr> <td>CM</td> <td></td> <td>03/22/1996</td> </tr> <tr> <th>IN/MM</th> <th>CHECKED BY</th> <th>DATE</th> </tr> <tr> <td>KBP</td> <td></td> <td>03/22/1998</td> </tr> <tr> <th>IN/MM</th> <th>APPROVED BY</th> <th>DATE</th> </tr> <tr> <td>FSMITH</td> <td></td> <td>2015/01/09</td> </tr> </tbody> </table>	IN/MM	DRAWN BY	DATE	CM		03/22/1996	IN/MM	CHECKED BY	DATE	KBP		03/22/1998	IN/MM	APPROVED BY	DATE	FSMITH		2015/01/09	4:1	INCH	
		mm	INCH																																							
	4 PLACES	± ---	± ---																																							
3 PLACES	± ---	± .010																																								
2 PLACES	± 0.25	± .014																																								
1 PLACE	± 0.35	± ---																																								
0 PLACE	± ---	± ---																																								
IN/MM	DRAWN BY	DATE																																								
CM		03/22/1996																																								
IN/MM	CHECKED BY	DATE																																								
KBP		03/22/1998																																								
IN/MM	APPROVED BY	DATE																																								
FSMITH		2015/01/09																																								
ANGULAR ±1/2° DRAFT WHERE APPLICABLE MUST REMAIN WITHIN DIMENSIONS	MATERIAL NO. SEE CHART	TITLE 2-CIR. PLUG HOUSING .125/(3.18)X.020(1.51) SABRE - TPA molex	DOCUMENT NO. SD-43680-*002	SHEET NO. 1 OF 1																																						
THIS DRAWING CONTAINS INFORMATION THAT IS PROPRIETARY TO MOLEX INCORPORATED AND SHOULD NOT BE USED WITHOUT WRITTEN PERMISSION																																										

ITEM NUMBER	MATERIAL	COLOR
43680-2002	UL94V-0 NYLON	BLACK
43680-1002	UL94V-2 NYLON	NATURAL (TRANSLUCENT)
43680-3002	UL94V-2 NYLON, IEC 60335-1, GLOW WIRE CAPABLE	BLACK

- NOTES:
1. MATERIAL: SEE CHART.
 2. FINISH: NONE.
 3. PRODUCT SPECIFICATION: PS-44441-9999.
 4. PACKAGING: PK-43680-001.
 5. THIS CONNECTOR HOUSING FOR USE WITH 43178-**** TERMINALS.
 6. THIS CONNECTOR HOUSING WILL MATE TO 43335-***2, 43179-***2 AND 44441-***2 HOUSINGS.
 7. PARTS CONFORM TO CLASS B REQUIREMENTS OF COSMETIC SPEC PS-45499-002.
- SOME PARTS MAY HAVE A BLEMISH NEAR THE GATE THAT DOES NOT AFFECT FUNCTIONALITY.



LOCKING NUB IS LOCATED HERE



43680-*002
SCALE 4:1

QUALITY SYMBOLS ▽ = 0 ▽ = 0 ▽ = 0 ▽ = 0 ▽ = 0 ▽ = 0 ▽ = 0 ▽ = 0 ▽ = 0 ▽ = 0	THIS DRAWING CONTAINS INFORMATION THAT IS PROPRIETARY TO MOLEX ELECTRONIC TECHNOLOGIES, LLC AND SHOULD NOT BE USED WITHOUT WRITTEN PERMISSION											
	RE-MASTERED IN ELECTR		2016/04/25		2016/12/15		GENERAL TOLERANCES (UNLESS SPECIFIED)		DIMENSION UNITS		SCALE	
	EC NO: 111498		DRWN: RMV02		CHKD: BPISZCZOR		ANGULAR TOL ± 0.5 °		IN/MM		4:1	
	REV: APPR:		A		REV: APPR:		4 PLACES ±		DRWN BY		DATE	
							3 PLACES ± 0.01		CM		03/22/1996	
							2 PLACES ± 0.014		CHKD BY		DATE	
							1 PLACE ±		KBP		03/22/1988	
							0 PLACES ±		APPR BY		DATE	
							DRAFT WHERE APPLICABLE MUST REMAIN WITHIN DIMENSIONS		FSMITH		2015/01/09	
							DRAWING SIZE		THIRD ANGLE PROJECTION		SERIES	
						C				43680		
										MATERIAL NUMBER		
										SEE CHART		
										CUSTOMER		
										GENERAL MARKET		
										DOCUMENT NUMBER		
										436800002		
										DOC TYPE		
										PSD		
										DOC PART		
										000		
										SHEET NUMBER		
										1 OF 1		