



Chipsmall Limited consists of a professional team with an average of over 10 year of expertise in the distribution of electronic components. Based in Hongkong, we have already established firm and mutual-benefit business relationships with customers from,Europe,America and south Asia,supplying obsolete and hard-to-find components to meet their specific needs.

With the principle of “Quality Parts,Customers Priority,Honest Operation,and Considerate Service”,our business mainly focus on the distribution of electronic components. Line cards we deal with include Microchip,ALPS,ROHM,Xilinx,Pulse,ON,Everlight and Freescale. Main products comprise IC,Modules,Potentiometer,IC Socket,Relay,Connector.Our parts cover such applications as commercial,industrial, and automotives areas.

We are looking forward to setting up business relationship with you and hope to provide you with the best service and solution. Let us make a better world for our industry!



## Contact us

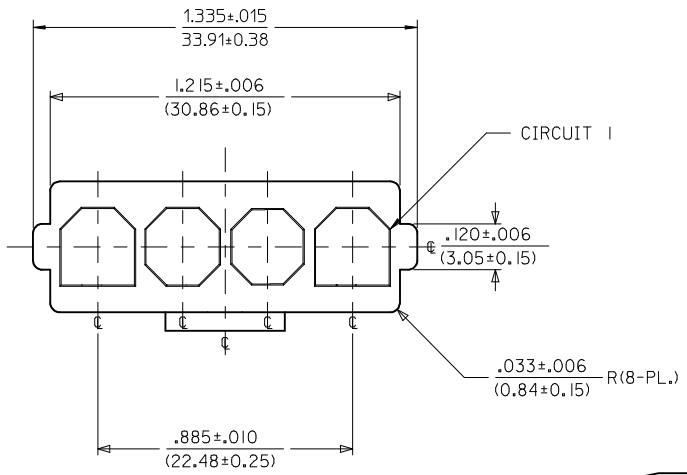
Tel: +86-755-8981 8866 Fax: +86-755-8427 6832

Email & Skype: info@chipsmall.com Web: www.chipsmall.com

Address: A1208, Overseas Decoration Building, #122 Zhenhua RD., Futian, Shenzhen, China

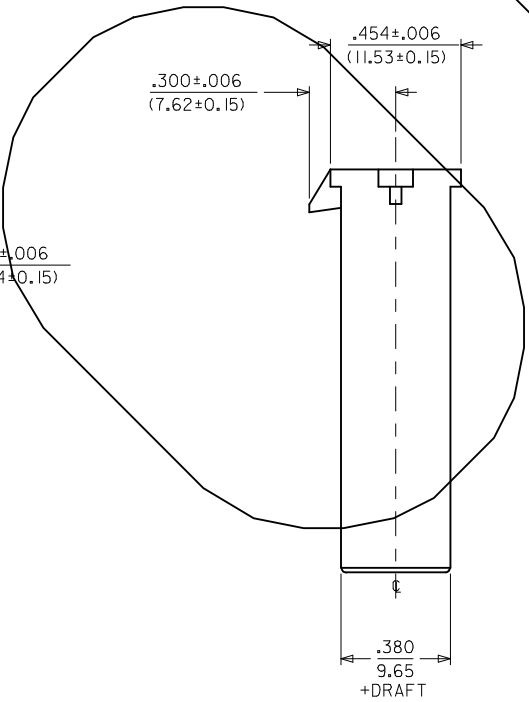
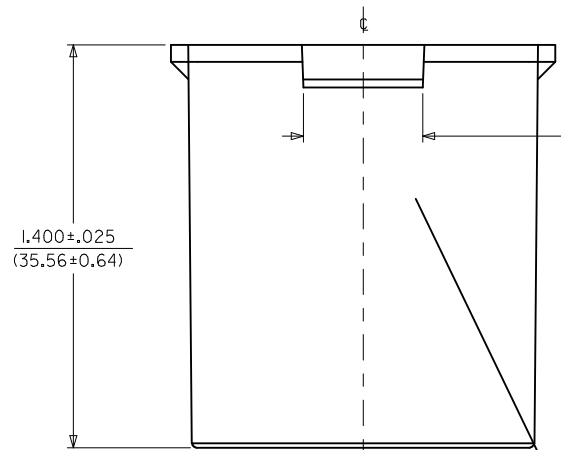


ITEM NUMBER	MATERIAL	COLOR
43680-1004	UL94V-2 NYLON	NATURAL (TRANSLUCENT)
43680-2004	UL94V-0 NYLON	BLACK
43680-3004	UL94V-2 NYLON IEC 60335-1 GLOW WIRE CAPABLE	BLACK

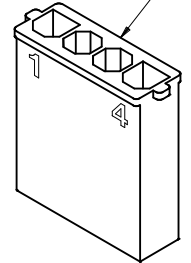


NOTE:

1. MATERIAL: SEE CHART.
2. FINISH: NONE.
3. PRODUCT SPECIFICATION: PS-44441-9999.
4. PACKAGING: PK-43680-001.
5. THIS CONNECTOR HOUSING FOR USE WITH 43178-\*\*\*\* TERMINALS.
6. THIS CONNECTOR HOUSING WILL MATE TO 43335-\*\*\*\*, 43179-\*\*\*\* AND 44441-\*\*\*\* HOUSINGS.
7. PARTS CONFORM TO CLASS B REQUIREMENTS OF COSMETIC SPEC PS-45499-002.  
- SOME PARTS MAY HAVE A BLEMISH NEAR THE GATE THAT DOES NOT AFFECT FUNCTIONALITY.



LOCKING NUB IS LOCATED HERE



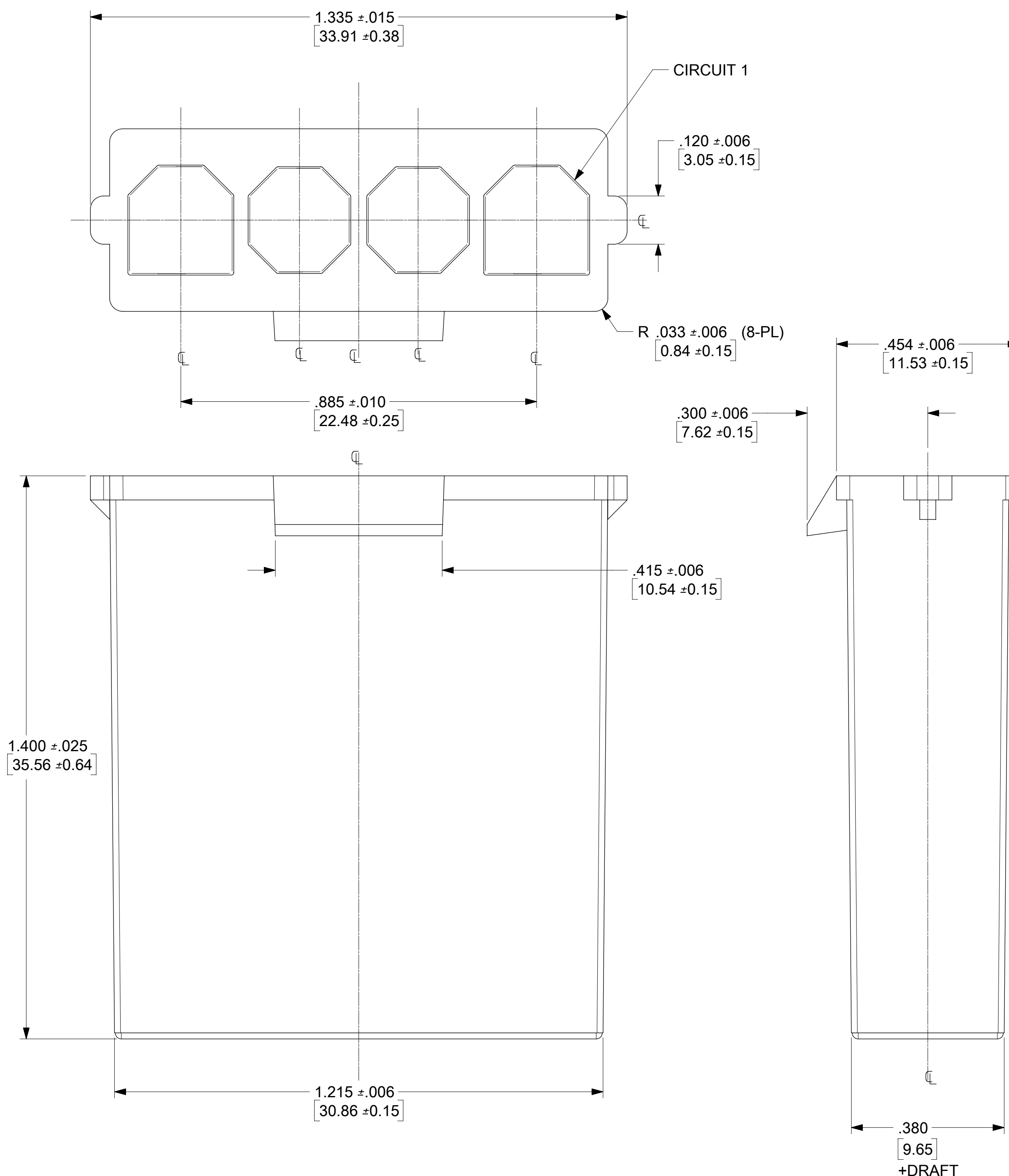
43680-\*004  
(NO SCALE)

VOID EC NO: UCP2017-0974 DRWN: BANDURA 2016/10/31 CHKD: APPR: BP1/SZCZOR 2016/11/03 REV:	QUALITY SYMBOLS	GENERAL TOLERANCES (UNLESS SPECIFIED)	DIMENSION STYLE	SCALE	DESIGN UNITS	THIRD ANGLE PROJECTION
	▽=0	mm INCH	IN/MM	4:1	INCH	
	▽=0	4 PLACES ± --- ± ---	DRAWN BY DATE	TITLE	4-CIR. PLUG HOUSING	
	▽=0	3 PLACES ± --- ±.010	CHECKED BY DATE	VOID	.125/(3.18)X.020/(0.51)	
▽=0	2 PLACES ± 0.25 ±.014	KBP 03/22/96	SABRE - TPA		molex	
	1 PLACE ± 0.35 ± ---	APPROVED BY DATE	DOCUMENT NO.		SHEET NO.	
	0 PLACE ± --- ± ---	FSMITH 2015/01/09	SD-43680-*004		1 OF 1	
	ANGULAR ±1/2°	MATERIAL NO.	SEE CHART			
	DRAFT WHERE APPLICABLE MUST REMAIN WITHIN DIMENSIONS	SIZE	THIS DRAWING CONTAINS INFORMATION THAT IS PROPRIETARY TO MOLEX INCORPORATED AND SHOULD NOT BE USED WITHOUT WRITTEN PERMISSION			

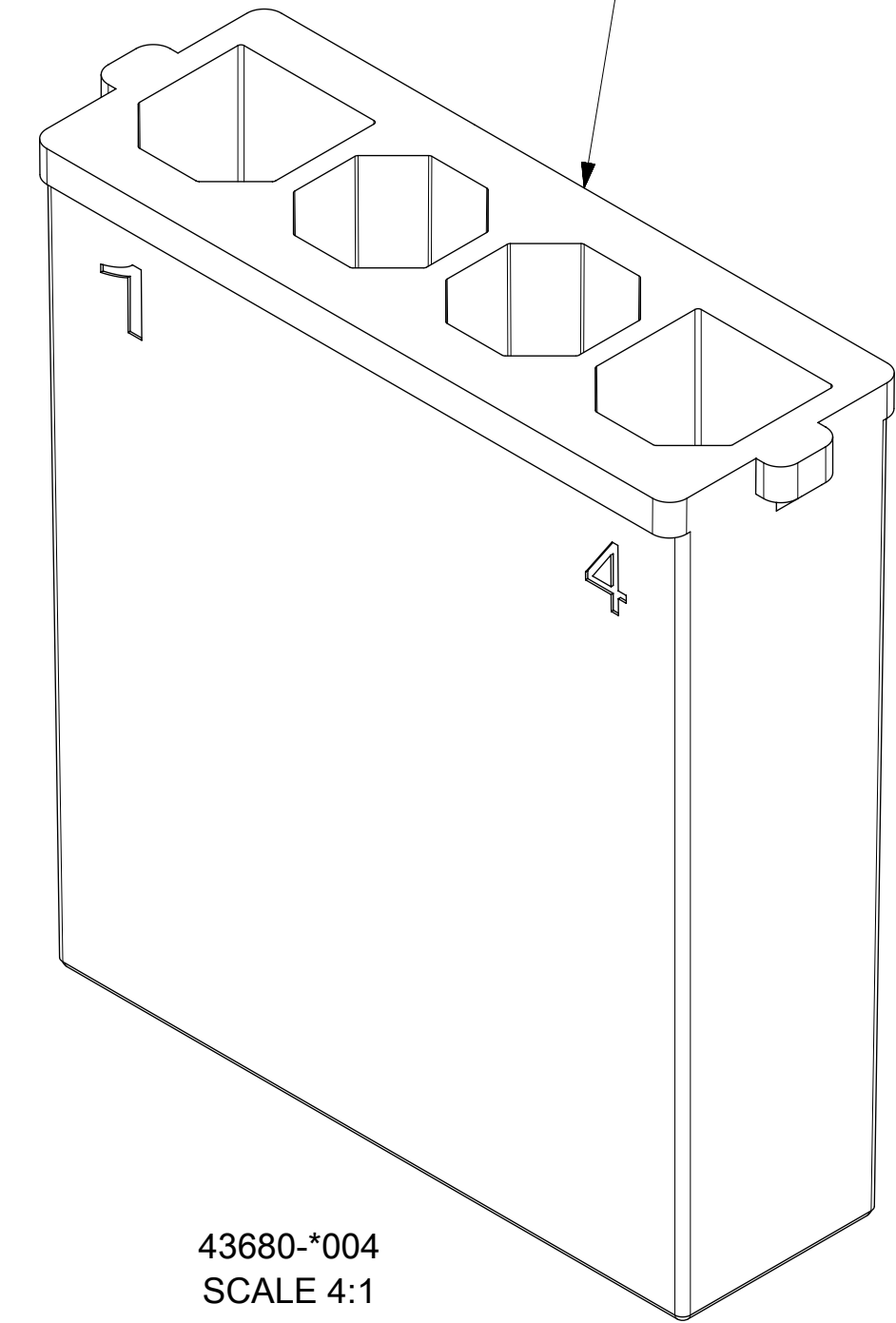
ITEM NUMBER	MATERIAL	COLOR
43680-1004	UL94V-2 NYLON	NATURAL (TRANSLUCENT)
43680-2004	UL94V-0 NYLON	BLACK
43680-3004	UL94V-2 NYLON IEC 60335-1 GLOW WIRE CAPABLE	BLACK

NOTE:

1. MATERIAL: SEE CHART.
2. FINISH: NONE.
3. PRODUCT SPECIFICATION: PS-44441-9999.
4. PACKAGING: PK-43680-001.
5. THIS CONNECTOR HOUSING FOR USE WITH 43178-\*\*\*\* TERMINALS.
6. THIS CONNECTOR HOUSING WILL MATE TO 43335-\*\*\*4, 43179-\*\*\*4 AND 44441-\*\*\*4 HOUSINGS.
7. PARTS CONFORM TO CLASS B REQUIREMENTS OF COSMETIC SPEC PS-45499-002.  
- SOME PARTS MAY HAVE A BLEMISH NEAR THE GATE THAT DOES NOT AFFECT FUNCTIONALITY.



LOCKING NUB IS LOCATED HERE



43680-\*004  
SCALE 4:1

QUALITY SYMBOLS		THIS DRAWING CONTAINS INFORMATION THAT IS PROPRIETARY TO MOLEX ELECTRONIC TECHNOLOGIES, LLC AND SHOULD NOT BE USED WITHOUT WRITTEN PERMISSION		GENERAL TOLERANCES (UNLESS SPECIFIED)		DIMENSION UNITS		SCALE		molex®		
▽ = 0	RE-MASTERED IN ELECTR	EC NO: 111498	2016/04/19	4 PLACES	±	HYBRID	5:1	DRWN BY	DATE	4-CIR PLUG HOUSING .125/[3.18]X(.020/[0.51] SABRE - TPA		
▽ = 0	2016/12/15	DRWN: RMV02	2016/04/19	3 PLACES	± 0.01	CM	03/22/96	CHK'D BY	DATE			
▽ = 0	CHKD: BPISZCZOR	REV: APPR:		2 PLACES	± 0.014			KBP	03/22/96	PRODUCT CUSTOMER DRAWING		
▽ = 0				1 PLACE	±			FSMITH	2015/01/09			
▽ = 0				0 PLACES	±					SERIES	MATERIAL NUMBER	CUSTOMER
□ = 0				DRAFT WHERE APPLICABLE MUST REMAIN WITHIN DIMENSIONS						43680	SEE CHART	GENERAL MARKET
■ = 0										DOCUMENT NUMBER	DOC TYPE	DOC PART
▽ = 0										436800004	PSD	000
											DOC SHEET NUMBER	1 OF 1