



Chipsmall Limited consists of a professional team with an average of over 10 year of expertise in the distribution of electronic components. Based in Hongkong, we have already established firm and mutual-benefit business relationships with customers from,Europe,America and south Asia,supplying obsolete and hard-to-find components to meet their specific needs.

With the principle of “Quality Parts,Customers Priority,Honest Operation,and Considerate Service”,our business mainly focus on the distribution of electronic components. Line cards we deal with include Microchip,ALPS,ROHM,Xilinx,Pulse,ON,Everlight and Freescale. Main products comprise IC,Modules,Potentiometer,IC Socket,Relay,Connector.Our parts cover such applications as commercial,industrial, and automotives areas.

We are looking forward to setting up business relationship with you and hope to provide you with the best service and solution. Let us make a better world for our industry!



Contact us

Tel: +86-755-8981 8866 Fax: +86-755-8427 6832

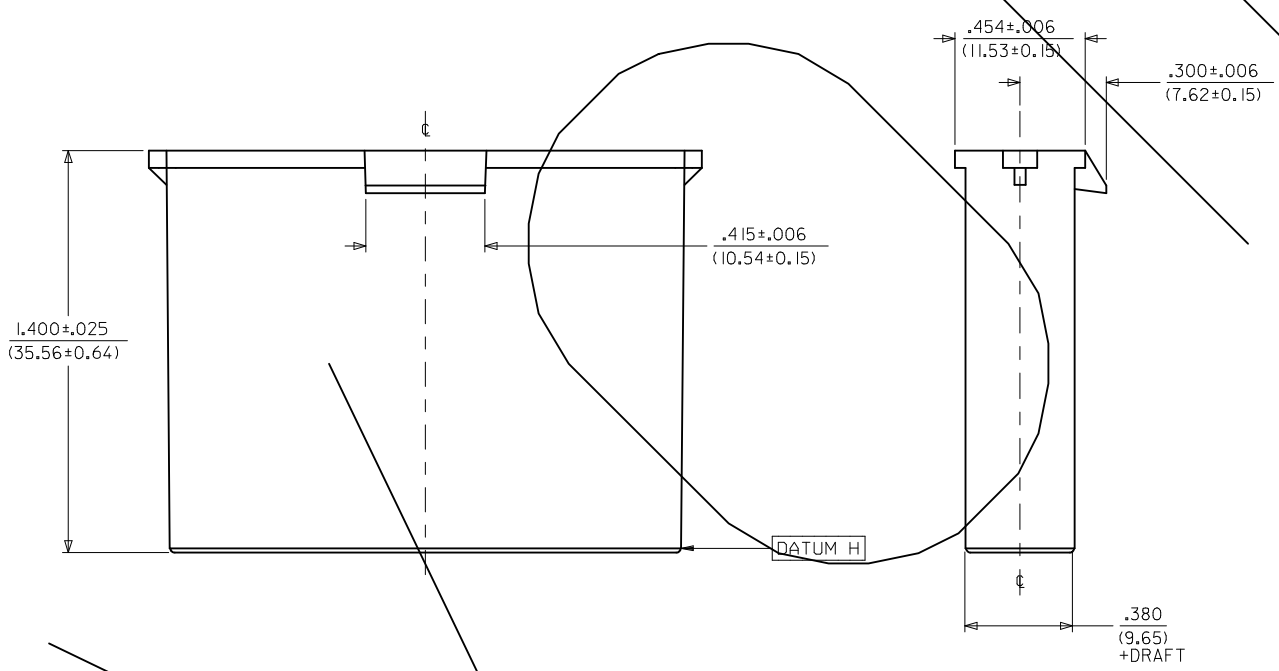
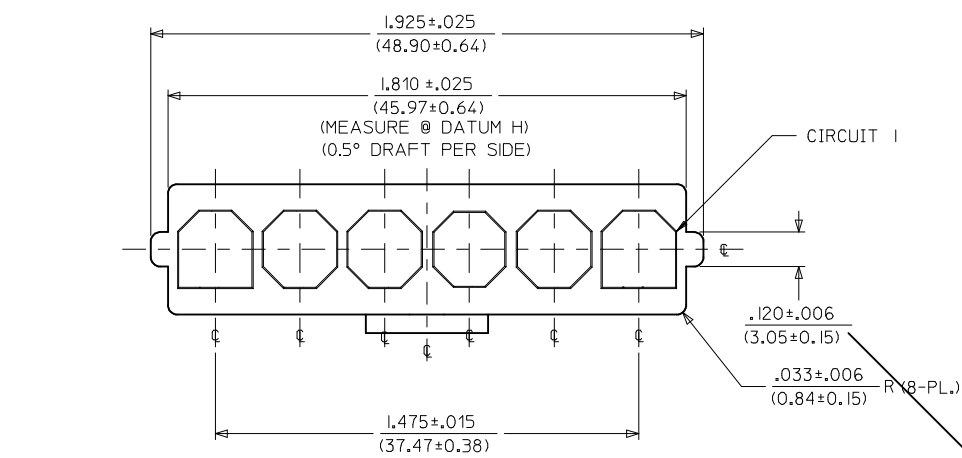
Email & Skype: info@chipsmall.com Web: www.chipsmall.com

Address: A1208, Overseas Decoration Building, #122 Zhenhua RD., Futian, Shenzhen, China

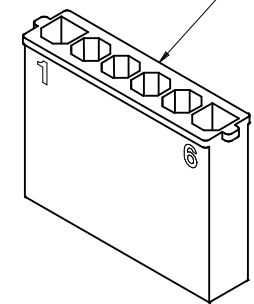


ITEM NUMBER	MATERIAL	COLOR
43680-2006	UL94V-0 NYLON	BLACK
43680-1006	UL94V-2 NYLON	NATURAL (TRANSLUCENT)
43680-3006	UL94V-2 NYLON, IEC 60335-1 GLOW WIRE CAPABLE	BLACK

- NOTE:
1. MATERIAL: SEE CHART.
 2. FINISH: NONE.
 3. PRODUCT SPECIFICATION: PS-44441-9999.
 4. PACKAGING: PK-43680-001.
 5. THIS CONNECTOR HOUSING FOR USE WITH 43178-**** TERMINALS.
 6. THIS CONNECTOR HOUSING WILL MATE TO 43335-***6, 43179-***6 AND 44441-***6 HOUSINGS.
 7. PARTS CONFORM TO CLASS B REQUIREMENTS OF COSMETIC SPEC PS-45499-002.
- SOME PARTS MAY HAVE A BLEMISH NEAR THE GATE THAT DOES NOT AFFECT FUNCTIONALITY.



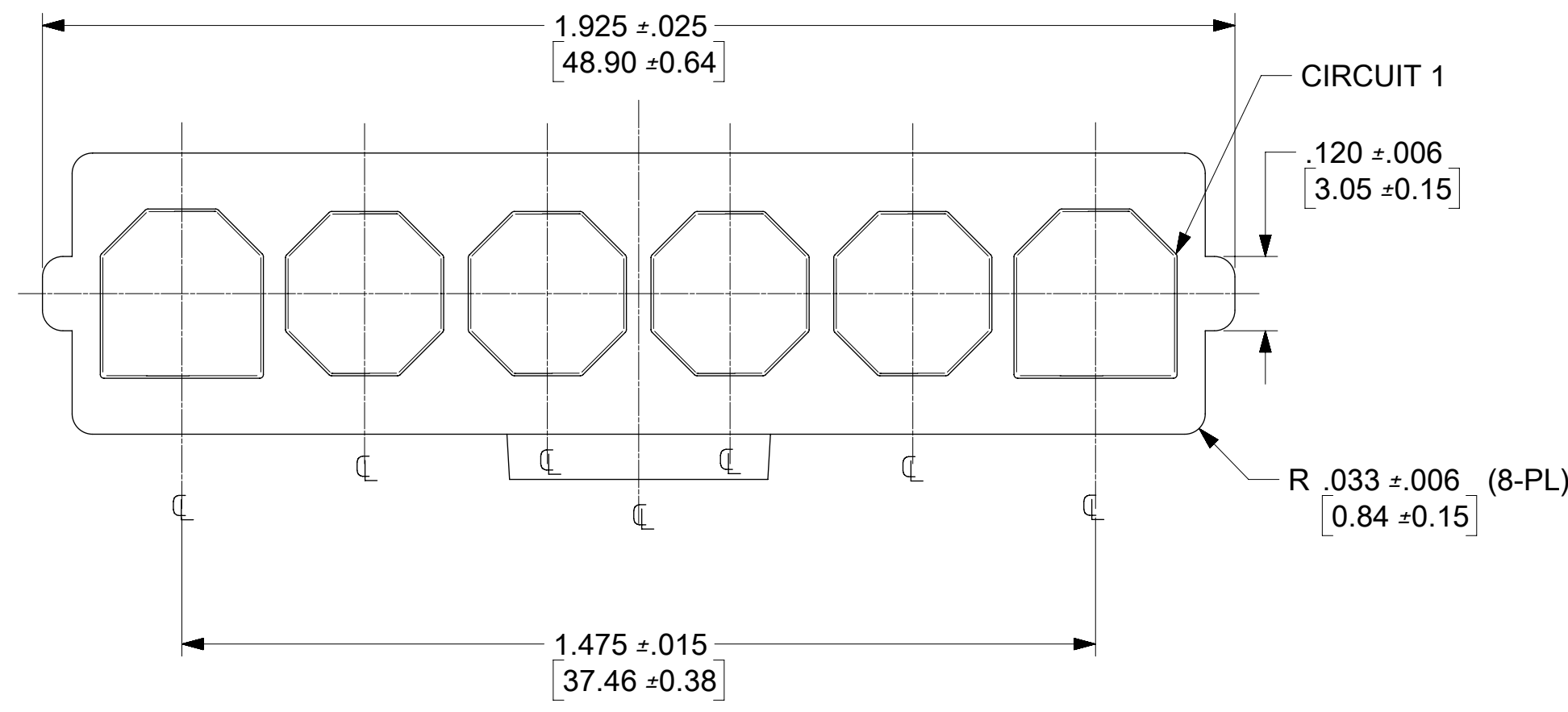
LOCKING NUB IS LOCATED HERE



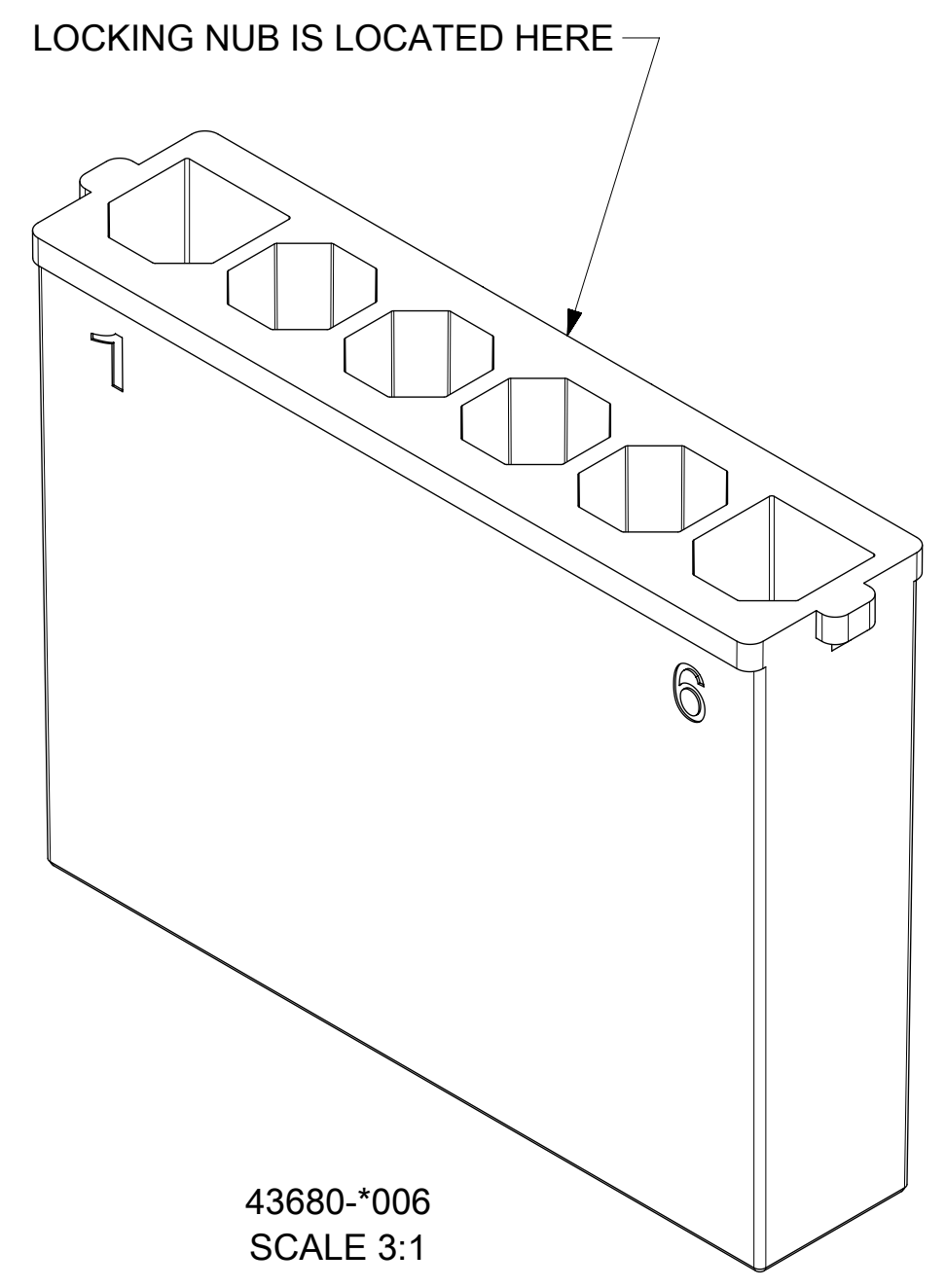
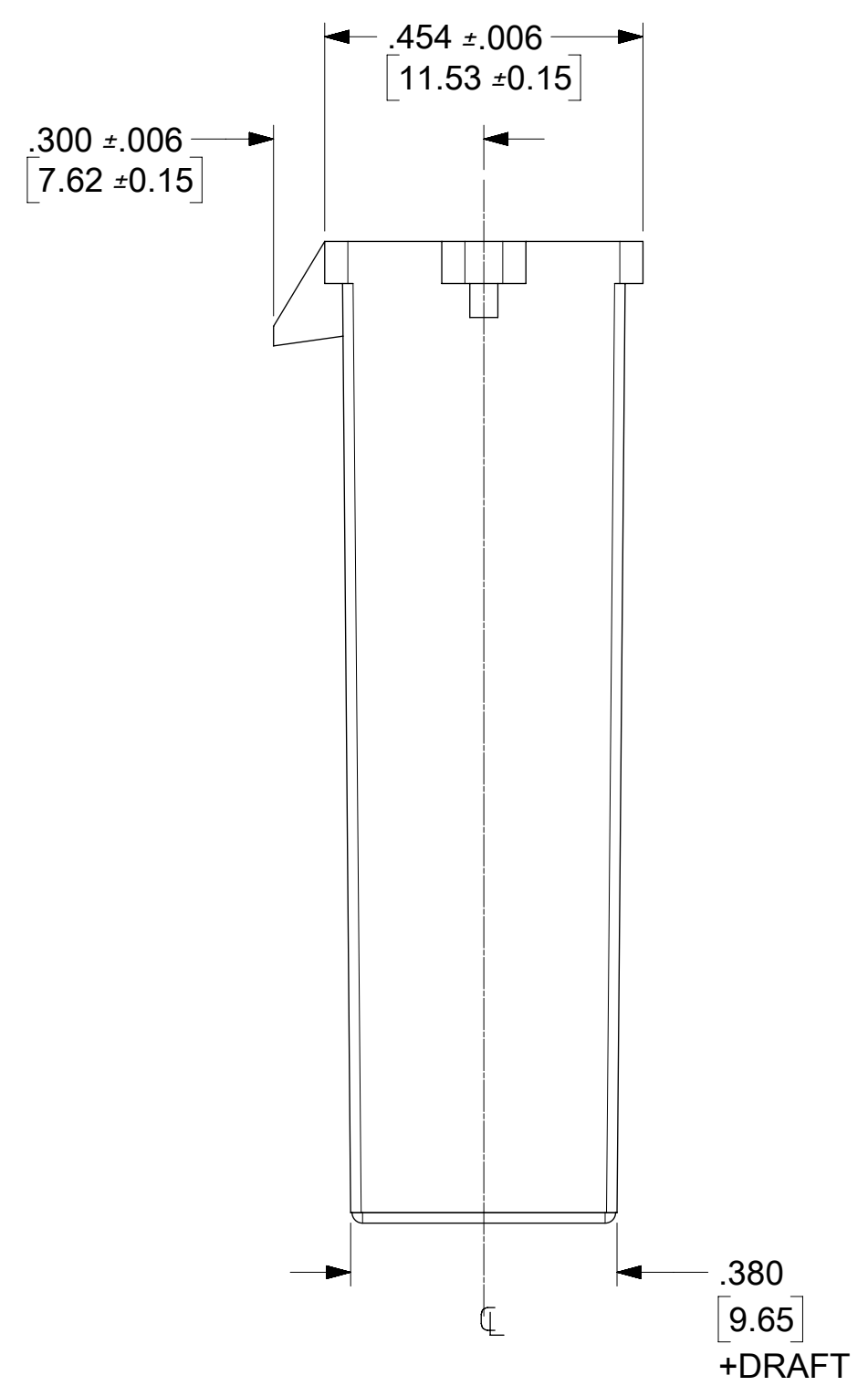
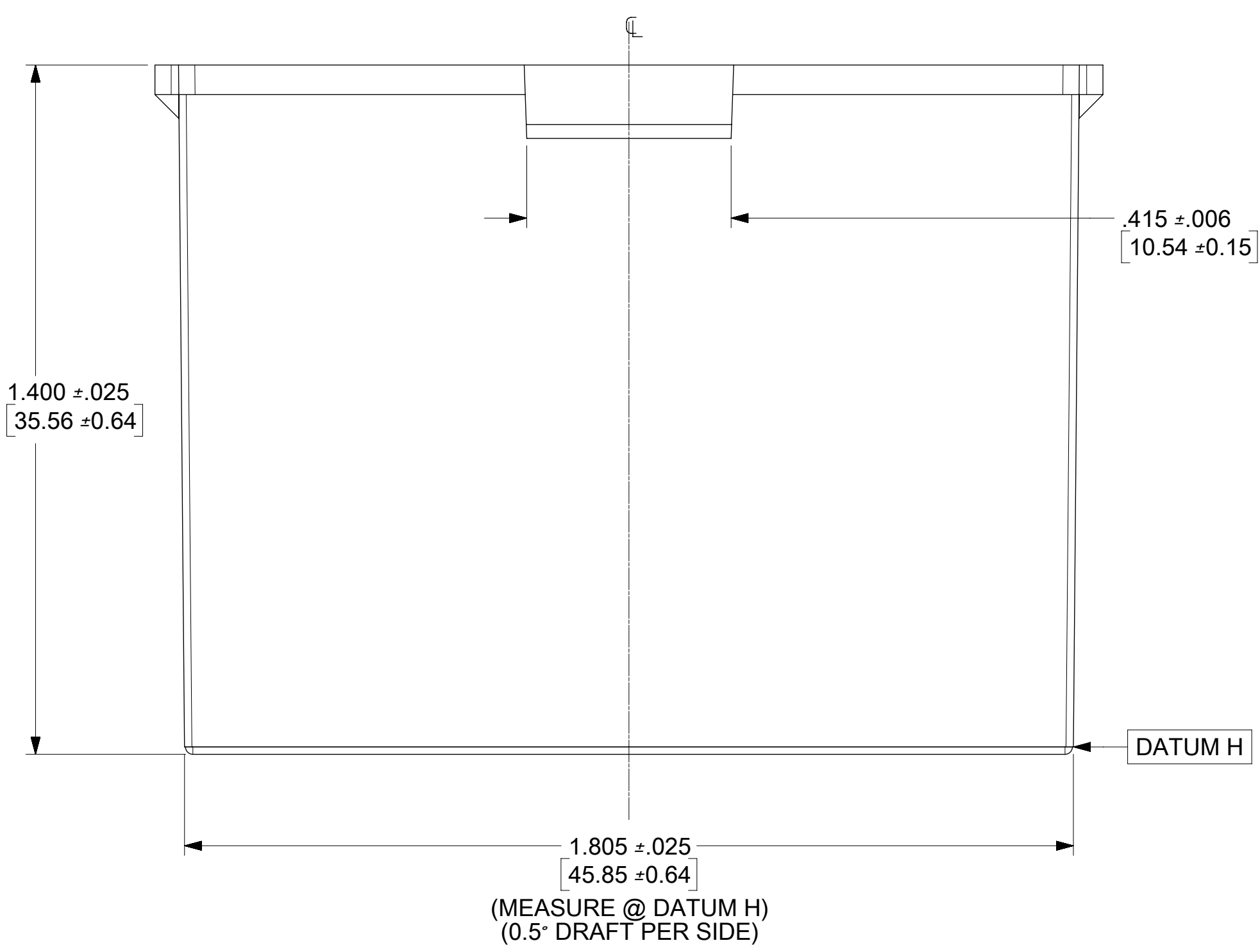
43680-*006
(NO SCALE)

VOID EC NO: UCP2017-0974 TIRUWINBANDURA 2016/10/31 CHKD: APPR: BPLS/CZOR 2016/11/03 REV DESCRIPTION	QUALITY SYMBOLS	GENERAL TOLERANCES (UNLESS SPECIFIED)	DIMENSION STYLE	SCALE	DESIGN UNITS	THIRD ANGLE PROJECTION																										
	$\nabla = 0$ $\nabla = 0$ $\nabla = 0$	<table border="1"> <thead> <tr> <th></th> <th>mm</th> <th>INCH</th> </tr> </thead> <tbody> <tr> <td>4 PLACES</td> <td>± .10</td> <td>± .004</td> </tr> <tr> <td>3 PLACES</td> <td>± .12</td> <td>± .005</td> </tr> <tr> <td>2 PLACES</td> <td>± .15</td> <td>± .006</td> </tr> <tr> <td>1 PLACE</td> <td>± .25</td> <td>± .010</td> </tr> <tr> <td>0 PLACE</td> <td>± .35</td> <td>± .014</td> </tr> </tbody> </table>		mm	INCH	4 PLACES	± .10	± .004	3 PLACES	± .12	± .005	2 PLACES	± .15	± .006	1 PLACE	± .25	± .010	0 PLACE	± .35	± .014	<table border="1"> <thead> <tr> <th>IN/MM</th> <th>DATE</th> </tr> </thead> <tbody> <tr> <td>DRAWN BY CM</td> <td>03/22/96</td> </tr> <tr> <td>CHECKED BY KBP</td> <td>03/22/96</td> </tr> <tr> <td>APPROVED BY FSMITH</td> <td>2015/01/09</td> </tr> </tbody> </table>	IN/MM	DATE	DRAWN BY CM	03/22/96	CHECKED BY KBP	03/22/96	APPROVED BY FSMITH	2015/01/09	4:1	INCH	
		mm	INCH																													
	4 PLACES	± .10	± .004																													
3 PLACES	± .12	± .005																														
2 PLACES	± .15	± .006																														
1 PLACE	± .25	± .010																														
0 PLACE	± .35	± .014																														
IN/MM	DATE																															
DRAWN BY CM	03/22/96																															
CHECKED BY KBP	03/22/96																															
APPROVED BY FSMITH	2015/01/09																															
DRAFT WHERE APPLICABLE MUST REMAIN WITHIN DIMENSIONS	ANGULAR ±1/2° MATERIAL NO. SEE CHART SIZE C THIS DRAWING CONTAINS INFORMATION THAT IS PROPRIETARY TO MOLEX INCORPORATED AND SHOULD NOT BE USED WITHOUT WRITTEN PERMISSION	TITLE 6-CIR. PLUG HOUSING .125/(3.18)X.020/(0.51) SABRE - TPA molex DOCUMENT NO. SD-43680-*006 SHEET NO. 1 OF 1																														

ITEM NUMBER	MATERIAL	COLOR
43680-2006	UL94V-0 NYLON	BLACK
43680-1006	UL94V-2 NYLON	NATURAL (TRANSLUCENT)
43680-3006	UL94V-2 NYLON IEC 60335-1 GLOW WIRE CAPABLE	BLACK



- NOTE:
1. MATERIAL: SEE CHART.
 2. FINISH: NONE.
 3. PRODUCT SPECIFICATION: PS-44441-9999.
 4. PACKAGING: PK-43680-001.
 5. THIS CONNECTOR HOUSING FOR USE WITH 43178-**** TERMINALS.
 6. THIS CONNECTOR HOUSING WILL MATE TO 43335-***6, 43179-***6 AND 44441-***6 HOUSINGS.
 7. PARTS CONFORM TO CLASS B REQUIREMENTS OF COSMETIC SPEC PS-45499-002. - SOME PARTS MAY HAVE A BLEMISH NEAR THE GATE THAT DOES NOT AFFECT FUNCTIONALITY.



QUALITY SYMBOLS	THIS DRAWING CONTAINS INFORMATION THAT IS PROPRIETARY TO MOLEX ELECTRONIC TECHNOLOGIES, LLC AND SHOULD NOT BE USED WITHOUT WRITTEN PERMISSION									
	RE-MASTERED IN ECTR EC NO: 111498 DRWN: RMV02 CHKD: BPSZCZOR REV APPR:	GENERAL TOLERANCES (UNLESS SPECIFIED)			DIMENSION UNITS		SCALE			
ANGULAR TOL ± 0.5 °			HYBRID		4:1					
▽ = 0	2016/04/19 2016/12/15 2015/01/09	4 PLACES ±		DRWN BY		DATE		6-CIR. PLUG HOUSING .125/[3.18]X.020/[0.51] SABRE - TPA		
▽ = 0		3 PLACES ± 0.01		CM		03/22/96				
▽ = 0		2 PLACES ± 0.014		CHKD BY		DATE				
▽ = 0		1 PLACE ±		KBP		03/22/96				
▽ = 0		0 PLACES ±		APPR BY		DATE				
▽ = 0		DRAFT WHERE APPLICABLE MUST REMAIN WITHIN DIMENSIONS		FSMITH		2015/01/09				
□ = 0	DRAWING SIZE		THIRD ANGLE PROJECTION		DRAWING SIZE		THIRD ANGLE PROJECTION		PRODUCT CUSTOMER DRAWING	
■ = 0	C		SERIES		MATERIAL NUMBER		CUSTOMER		GENERAL MARKET	
▽ = 0	A		43680		SEE CHART		DOCUMENT NUMBER		DOC TYPE DOC PART SHEET NUMBER	
			436800006		PSD 000		436800006		1 OF 1	