



Chipsmall Limited consists of a professional team with an average of over 10 year of expertise in the distribution of electronic components. Based in Hongkong, we have already established firm and mutual-benefit business relationships with customers from,Europe,America and south Asia,supplying obsolete and hard-to-find components to meet their specific needs.

With the principle of “Quality Parts,Customers Priority,Honest Operation,and Considerate Service”,our business mainly focus on the distribution of electronic components. Line cards we deal with include Microchip,ALPS,ROHM,Xilinx,Pulse,ON,Everlight and Freescale. Main products comprise IC,Modules,Potentiometer,IC Socket,Relay,Connector.Our parts cover such applications as commercial,industrial, and automotives areas.

We are looking forward to setting up business relationship with you and hope to provide you with the best service and solution. Let us make a better world for our industry!



Contact us

Tel: +86-755-8981 8866 Fax: +86-755-8427 6832

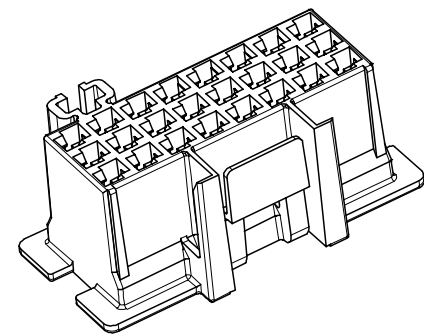
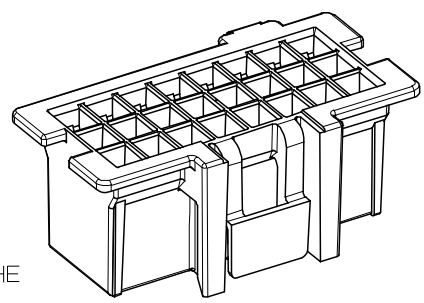
Email & Skype: info@chipsmall.com Web: www.chipsmall.com

Address: A1208, Overseas Decoration Building, #122 Zhenhua RD., Futian, Shenzhen, China

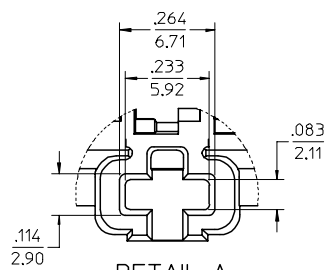
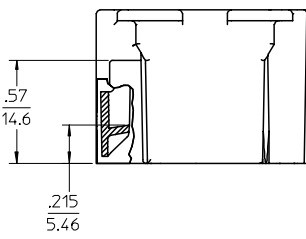
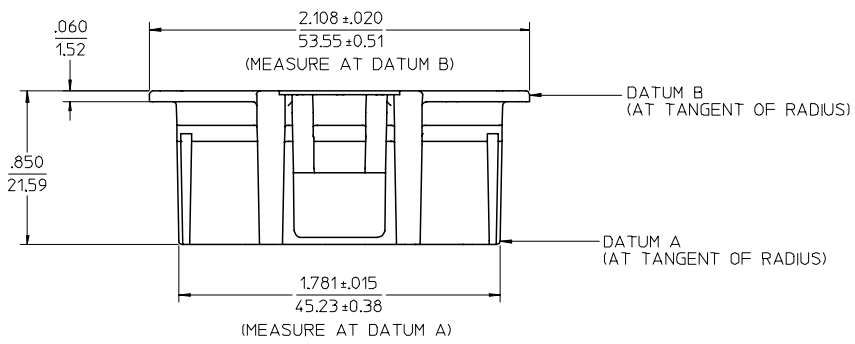
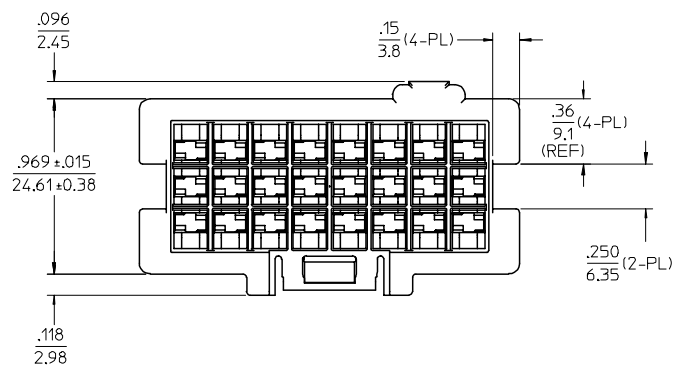


NOTES:

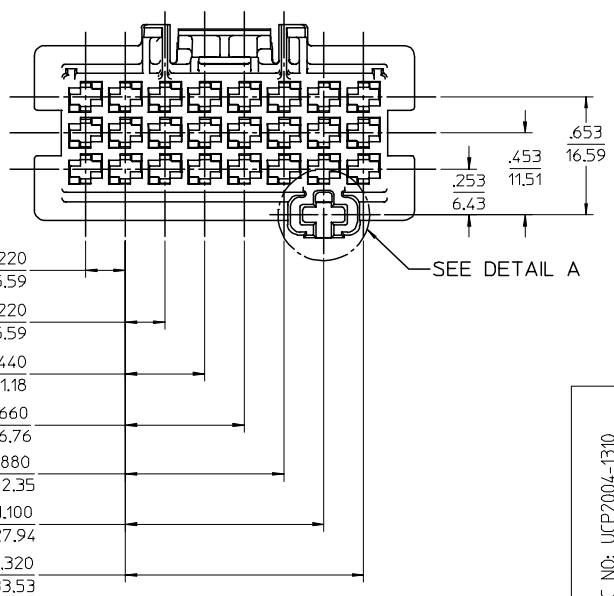
1. MATERIAL: 6/6 NYLON, UL94V-2, COLOR: BLACK
2. FINISH: NOT APPLICABLE
3. PRODUCT SPECIFICATION: PSX-44441-9999
4. USE TERMINALS: 43375-*
5. SEE AS-43796-001 FOR THE DESCRIPTION OF THE MATING INTERFACE.



43796-2024



DETAIL A
SCALE 4:1



EC NO: UCP2004-1310 DRWN:MKAMARAI/2004/01/20 CHKD:MKAMARAI/2004/01/20 APPR:BWIRKUS 2004/01/20	QUALITY SYMBOLS	GENERAL TOLERANCES (UNLESS SPECIFIED)		SCALE 2:1	DESIGN UNITS INCH	THIRD ANGLE PROJECTION	REVISE ON CAD ONLY
	▼ -0 ◻ -0	4 PLACES ± --- ± --- 3 PLACES ± --- ± .007 2 PLACES ± 0.18 ± .010 1 PLACE ± 0.25 ± ---	mm INCH	DIMENSION STYLE IN/MM	DRAWN BY TGREGORI DATE 2003/03/13 CHECKED BY BWIRKUS DATE 2003/03/14	TITLE CONNECTOR HOUSING 24 - CIRCUITS, W/ FLANGE TIMER APPLICATION MOLEX INCORPORATED	
B2	DESCRIPTION	DRAFT WHERE APPLICABLE MUST REMAIN WITHIN DIMENSIONS		APPROVED BY JCOMERCI DATE 2003/03/17	MATERIAL NO. 43796-2024 DOCUMENT NO. SD-43796-002	SHEET NO. 1 OF 1	
THIS DRAWING CONTAINS INFORMATION THAT IS PROPRIETARY TO MOLEX INCORPORATED AND SHOULD NOT BE USED WITHOUT WRITTEN PERMISSION							