



Chipsmall Limited consists of a professional team with an average of over 10 year of expertise in the distribution of electronic components. Based in Hongkong, we have already established firm and mutual-benefit business relationships with customers from,Europe,America and south Asia,supplying obsolete and hard-to-find components to meet their specific needs.

With the principle of “Quality Parts,Customers Priority,Honest Operation,and Considerate Service”,our business mainly focus on the distribution of electronic components. Line cards we deal with include Microchip,ALPS,ROHM,Xilinx,Pulse,ON,Everlight and Freescale. Main products comprise IC,Modules,Potentiometer,IC Socket,Relay,Connector.Our parts cover such applications as commercial,industrial, and automotives areas.

We are looking forward to setting up business relationship with you and hope to provide you with the best service and solution. Let us make a better world for our industry!



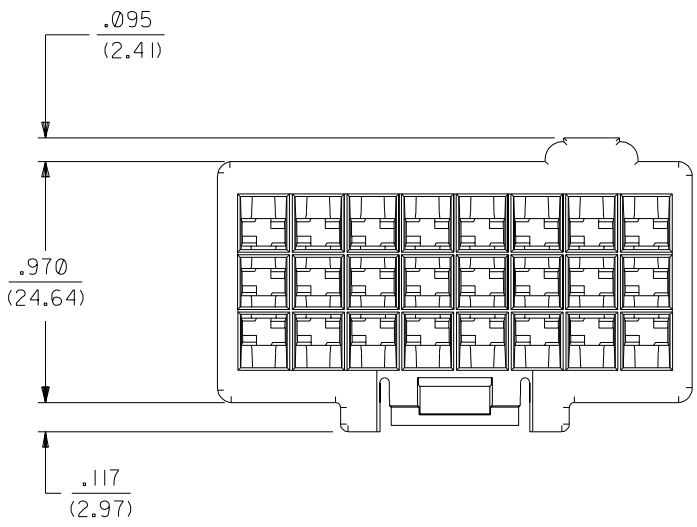
Contact us

Tel: +86-755-8981 8866 Fax: +86-755-8427 6832

Email & Skype: info@chipsmall.com Web: www.chipsmall.com

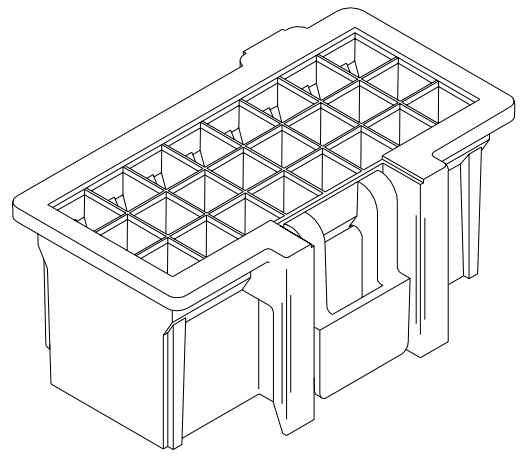
Address: A1208, Overseas Decoration Building, #122 Zhenhua RD., Futian, Shenzhen, China



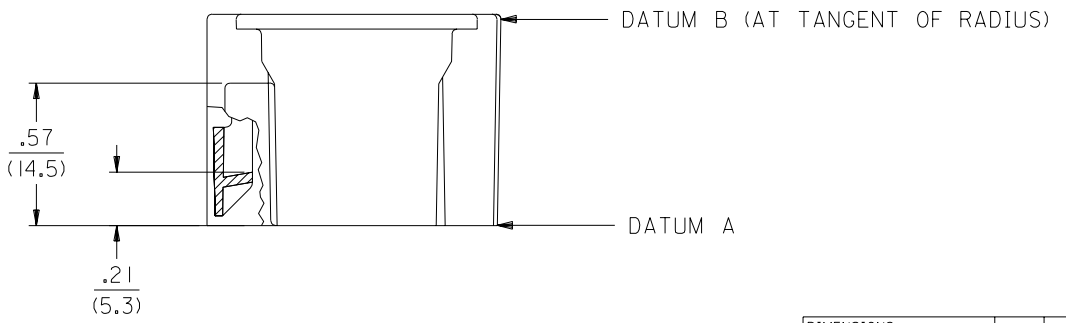
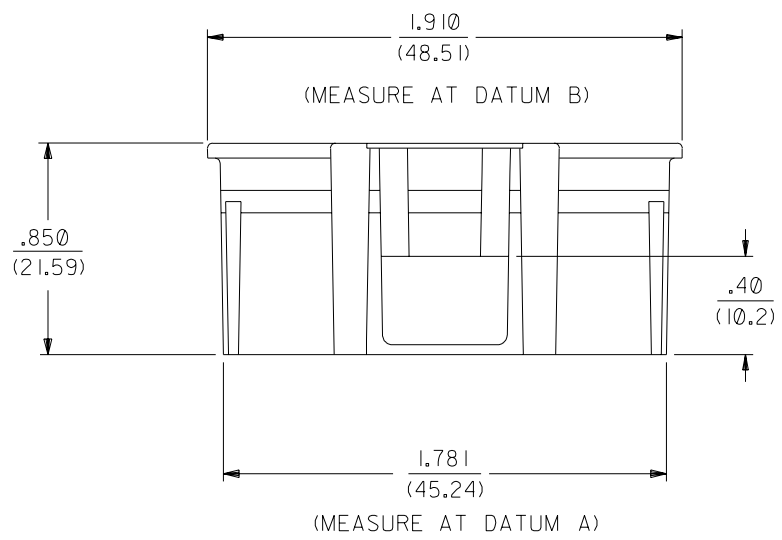


NOTES:

1. MATERIAL: 6/6 NYLON, UL94V-2, COLOR: BLACK
2. FINISH: NOT APPLICABLE
3. PRODUCT SPECIFICATION: PSX-4444I-9999
4. ALL DIMENSIONS ARE FOR REFERENCE ONLY.
5. SEE AS-43796-001 FOR THE DESCRIPTION OF THE MATING INTERFACE.
6. USE TERMINALS: 43375-*



43796-5024



EC NO. UCR2002-0645 DRWN: WIRKUS 03/05/02 CHK: WIRKUS 03/05/02 APPR: FRY 03/05/02	QUALITY SYMBOLS MAJOR $\nabla = 0$ CRITICAL $\nabla C = 0$	GENERAL TOLERANCES: (UNLESS SPECIFIED) mm INCH		SCALE 2 : 1	DESIGN UNITS <input type="checkbox"/> mm <input checked="" type="checkbox"/> INCH	DIMENSIONS: <input type="checkbox"/> mm <input checked="" type="checkbox"/> INCH <input type="checkbox"/> mm ONLY	SHT REV	
		4 PLACES $\pm 0.---$ $\pm .---$ 3 PLACES $\pm 0.---$ $\pm .---$ 2 PLACES $\pm 0.---$ $\pm .---$ 1 PLACE $\pm 0.---$ $\pm .---$	DRAWN BY & DATE MARANTO 09/11/96	THIRD ANGLE PROJECTION <input checked="" type="checkbox"/> THIRD ANGLE <input type="checkbox"/> FIRST ANGLE		TITLE: CONNECTOR HOUSING 24 - CIRCUITS TIMER APPLICATION		REVISION ON CAD ONLY
B	REV	ANGLULAR: $\pm 1/2^\circ$		CHECKED BY & DATE PELOZA 09/11/96	APPROVED BY & DATE FRY 09/11/96	MATERIAL NO. 43796-5024	DRAWING NO. SD-43796-001	SHEET NO. 1 OF 1
DRAFT WHERE APPLICABLE MUST REMAIN WITHIN DIMENSIONS				THIS DRAWING CONTAINS INFORMATION THAT IS PROPRIETARY TO MOLEX INCORPORATED AND SHOULD NOT BE USED WITHOUT WRITTEN PERMISSION.				SIZE B