



Chipsmall Limited consists of a professional team with an average of over 10 year of expertise in the distribution of electronic components. Based in Hongkong, we have already established firm and mutual-benefit business relationships with customers from,Europe,America and south Asia,supplying obsolete and hard-to-find components to meet their specific needs.

With the principle of “Quality Parts,Customers Priority,Honest Operation,and Considerate Service”,our business mainly focus on the distribution of electronic components. Line cards we deal with include Microchip,ALPS,ROHM,Xilinx,Pulse,ON,Everlight and Freescale. Main products comprise IC,Modules,Potentiometer,IC Socket,Relay,Connector.Our parts cover such applications as commercial,industrial, and automotives areas.

We are looking forward to setting up business relationship with you and hope to provide you with the best service and solution. Let us make a better world for our industry!



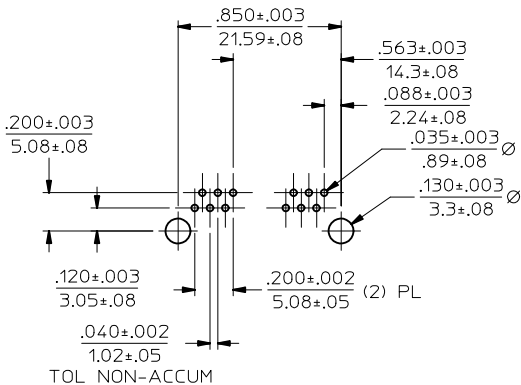
Contact us

Tel: +86-755-8981 8866 Fax: +86-755-8427 6832

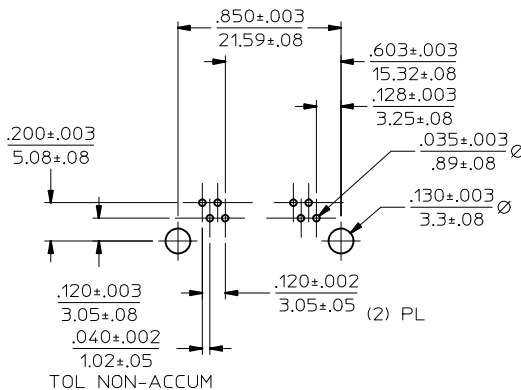
Email & Skype: info@chipsmall.com Web: www.chipsmall.com

Address: A1208, Overseas Decoration Building, #122 Zhenhua RD., Futian, Shenzhen, China

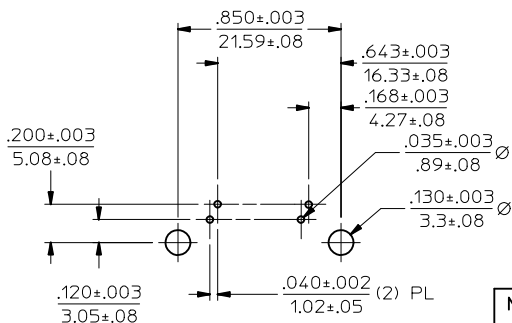




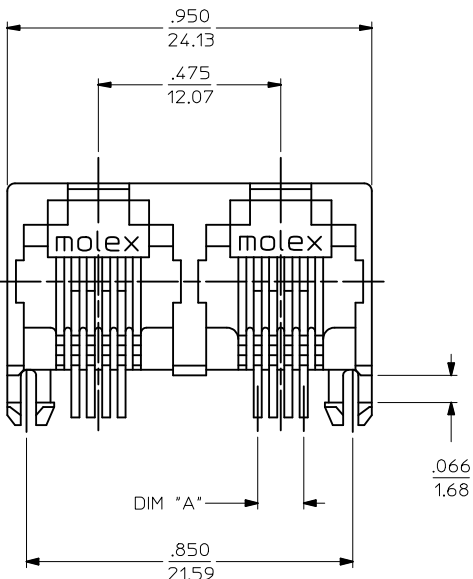
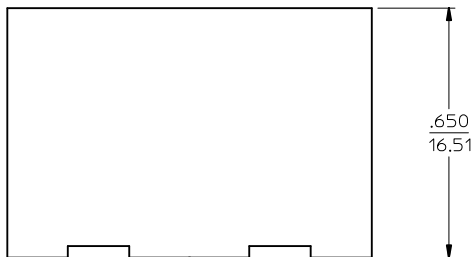
**P.C. BOARD LAYOUT
6 LOADED 6 ASSEMBLY
COMPONENT SIDE OF BOARD
SCALE: 2X**



**P.C. BOARD LAYOUT
6 LOADED 4 ASSEMBLY
COMPONENT SIDE OF BOARD
SCALE: 2X**



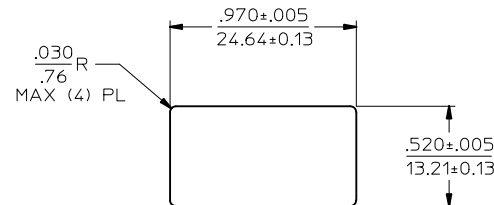
**P.C. BOARD LAYOUT
6 LOADED 2 ASSEMBLY
COMPONENT SIDE OF BOARD
SCALE: 2X**



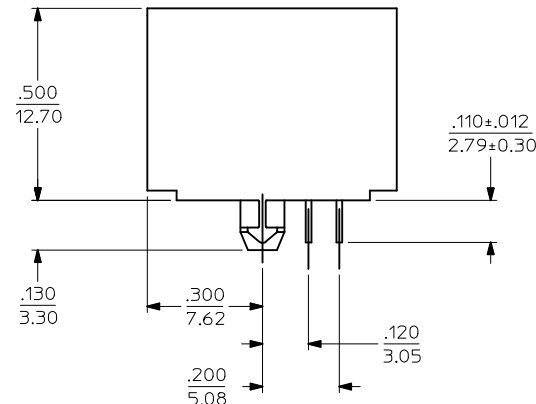
**6 LOADED 4
ASSEMBLY SHOWN**

NOTES:

- 1) MATERIAL:
HOUSING: NYLON(IPA), GLASS FILLED, UL94V-0, COLOR: SEE CHART
TERMINALS: PHOSPHOR BRONZE, .015/(0.38) THICK
- 2) FINISH:
TERMINALS:
SELECT GOLD IN CONTACT AREA: 50 MICRONS MIN.,
*SELECT TIN IN PC TAIL AREA: 100 MICRONS MIN.,
WITH OVERALL NICKEL UNDERPLATE: 50 MICRONS MIN.
*THE PRIMARY SHIPPING CARTON WILL BE LABELED "COMPLIANT TO ROHS
DIRECTIVE 2002/95/EC AND ELV ANNEX II OF DIRECTIVE 2000/53/EC".
CARTONS WITHOUT THIS LABEL MAY CONTAIN PRODUCT WITH TIN-LEAD
IN THE PC TAILS.
- 3) PRODUCT SPECIFICATION AND PROCESSING PARAMETERS: PS-43860-003.
- 4) PACKAGING SPECIFICATION:
CONNECTOR ASSEMBLIES PACKAGED IN EXTRUDED TUBES PER MOLEX
PACKAGING SPECIFICATION PK-43685-005.
- 5) THIS PART CONFORMS TO CLASS B REQUIREMENTS OF COSMETIC
SPECIFICATION PS-45499-002.
- 6) RECOMMENDED PCB THICKNESS: .062±.005/1.57±0.13



**PANEL CUTOUT
SCALE: 2X**



MATERIAL NUMBER	CIRCUITS PER PORT	DIM "A"
438146621	6	.200/5.08
438146421	4	.120/3.05
438146221	2	.040/1.02

ADD TOLERANCES	QUALITY SYMBOLS
EC NO: UCP2012-1334	▽=0
DRW: NGUYEN	▽=0
CHKD: BELL	
APPR: FSM/TH	
DATE: 2011/10/25	
DATE: 2011/10/26	
REV: F3	

GENERAL TOLERANCES (UNLESS SPECIFIED)	
mm	INCH
4 PLACES ± .10	± .004
3 PLACES ± .15	± .005
2 PLACES ± .25	± .010
1 PLACE ± .36	± .015
ANGULAR ± 1/2°	
DRAFT WHERE APPLICABLE MUST REMAIN WITHIN DIMENSIONS	

DIMENSION STYLE	
IN/MM	
DRAWN BY	DATE
L. LENZ	1996/12/10
CHECKED BY	DATE
ROBERTS	1996/12/10
APPROVED BY	DATE
FRY	1996/12/10
MATERIAL NO. SEE CHART	
DOCUMENT NO. SD-43814-001	
SIZE	SHEET NO.
C	1 OF 1

SCALE	DESIGN UNITS	THIRD ANGLE PROJECTION
---	INCH	☉
INVERTED DUAL PORT RIGHT ANGLE MODULAR JACK ASSEMBLY		
MOLEX INCORPORATED		
THIS DRAWING CONTAINS INFORMATION THAT IS PROPRIETARY TO MOLEX INCORPORATED AND SHOULD NOT BE USED WITHOUT WRITTEN PERMISSION		