



Chipsmall Limited consists of a professional team with an average of over 10 year of expertise in the distribution of electronic components. Based in Hongkong, we have already established firm and mutual-benefit business relationships with customers from,Europe,America and south Asia,supplying obsolete and hard-to-find components to meet their specific needs.

With the principle of “Quality Parts,Customers Priority,Honest Operation,and Considerate Service”,our business mainly focus on the distribution of electronic components. Line cards we deal with include Microchip,ALPS,ROHM,Xilinx,Pulse,ON,Everlight and Freescale. Main products comprise IC,Modules,Potentiometer,IC Socket,Relay,Connector.Our parts cover such applications as commercial,industrial, and automotives areas.

We are looking forward to setting up business relationship with you and hope to provide you with the best service and solution. Let us make a better world for our industry!



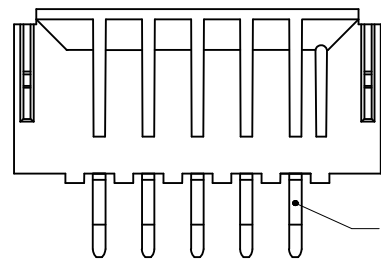
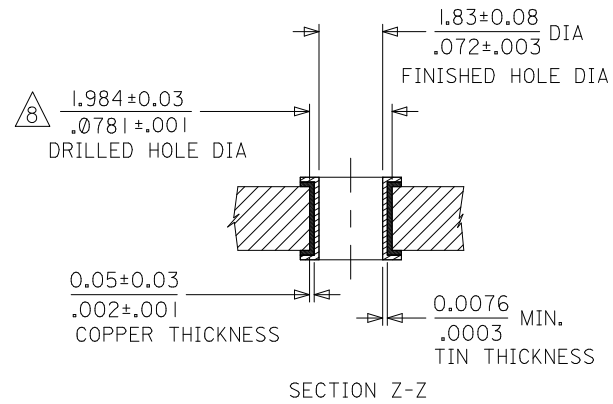
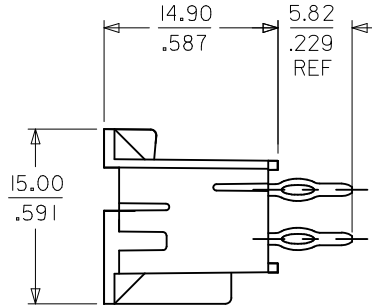
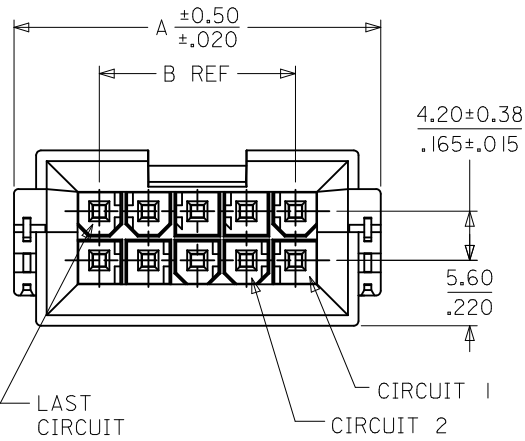
Contact us

Tel: +86-755-8981 8866 Fax: +86-755-8427 6832

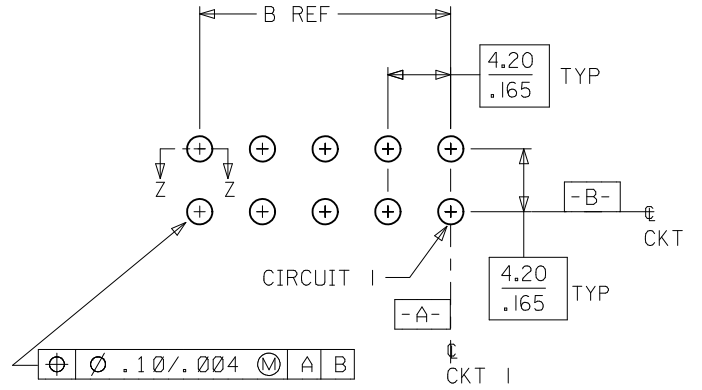
Email & Skype: info@chipsmall.com Web: www.chipsmall.com

Address: A1208, Overseas Decoration Building, #122 Zhenhua RD., Futian, Shenzhen, China





MEASURING POINT FOR SELECT TIN AND TIN-LEAD



PCB LAYOUT: COMPONENT SIDE
RECOMMENDED MINIMUM PCB THICKNESS: $\frac{2.24}{.088}$

CKT	A	B
4	18.81 .740	4.20 .165
6	23.01 .906	8.40 .331
8	27.21 1.071	12.60 .496
10	31.41 1.237	16.80 .661
12	35.61 1.402	21.00 .827
14	39.81 1.567	25.20 .992
16	44.01 1.733	29.40 1.157
18	48.21 1.898	33.60 1.323
20	52.41 2.063	37.80 1.488
22	56.61 2.229	42.00 1.654
24	60.81 2.394	46.20 1.819

NOTES:

- MATERIAL:
HOUSING: NYLON, GLASS FILLED, UL94V-0, COLOR: BLACK
TERMINAL: PHOSPHOR BRONZE
- FINISH: SEE SHEET 2
- PRODUCT SPECIFICATION: PS-43879-001
- PACKAGING: PK-43879-001
- THIS PART MATES WITH RECEPTACLE NUMBERS 5557 AND 42474
- THIS PART MATES WITH HEADER NUMBER 42385
- PART ALLOWS FOR 1.27/.050 MAX. MIS-ALIGNMENT WITH MATING HOUSING IN ANY DIRECTION
- DRILLED HOLE DIAMETER IS EQUIVALENT TO 5/64 INCH STANDARD DRILL BIT
- CONNECTOR ASSEMBLIES ARE NOT DESIGNED TO BE MATED AND UNMATED WHILE CIRCUITS ARE LIVE
- PART IS NOT DESIGNED FOR CURRENT SHARING
- PART CONFORMS TO CLASS "B" REQUIREMENTS OF COSMETIC SPECIFICATION PS-45499-002
- THIS HEADER REQUIRES A MOLEX INSERTION TOOL (62200-9400) TO PROPERLY INSTALL IT TO THE PCB.

ADDED NOTE 12 EC NO: UCP2010-2444 DRWN: J JAGUILAR 2010/03/26 CHKD: JBELL 1998/04/08 APPR: F SMITH 2010/04/14 L2 REV	QUALITY SYMBOLS ▽=0 ▽=0	GENERAL TOLERANCES (UNLESS SPECIFIED) mm INCH 4 PLACES ± --- ± --- 3 PLACES ± --- ± .010 2 PLACES ± 0.25 ± .014 1 PLACE ± 0.35 ± --- ANGULAR ± 1/2°	DIMENSION STYLE MM/IN DRAWN BY DATE MANLAPAZ 1998/04/08 CHECKED BY DATE BANDURA 1998/04/08 APPROVED BY DATE EDGLEY 1998/04/08	SCALE 2:1 DESIGN UNITS METRIC THIRD ANGLE PROJECTION	TITLE MINI-FIT JR BMI/CPI HEADER ASSEMBLY	MATERIAL NO. SEE SHEET 2	DOCUMENT NO. SD-43879-021	SHEET NO. 1 OF 2
	DRAFT WHERE APPLICABLE MUST REMAIN WITHIN DIMENSIONS							
	THIS DRAWING CONTAINS INFORMATION THAT IS PROPRIETARY TO MOLEX INCORPORATED AND SHOULD NOT BE USED WITHOUT WRITTEN PERMISSION							
	MOLEX INCORPORATED							

FINISH: 1
TIN OVER NICKEL

CKTS	MATERIAL NO.
04	43879-0022
06	43879-0023
08	NOT TOOLED
10	43879-0025
12	NOT TOOLED
14	43879-0027
16	NOT TOOLED
18	43879-0029
20	NOT TOOLED
22	NOT TOOLED
24	43879-0032

FINISH: 2
GOLD & TIN/LEAD OVER NICKEL

CKTS	MATERIAL NO.
04	43879-0033
06	43879-0034
08	NOT TOOLED
10	43879-0036
12	NOT TOOLED
14	43879-0038
16	NOT TOOLED
18	43879-0040
20	NOT TOOLED
22	NOT TOOLED
24	43879-0043

FINISH: 3
MATTE TIN/LEAD OVER NICKEL

CKTS	MATERIAL NO.
04	OBSOLETE
06	43879-0045
08	NOT TOOLED
10	OBSOLETE
12	NOT TOOLED
14	OBSOLETE
16	NOT TOOLED
18	OBSOLETE
20	NOT TOOLED
22	NOT TOOLED
24	OBSOLETE

FINISH: 4
GOLD & TIN OVER NICKEL

CKTS	MATERIAL NO.
04	43879-0055
06	43879-0056
08	NOT TOOLED
10	43879-0058
12	NOT TOOLED
14	43879-0060
16	NOT TOOLED
18	43879-0062
20	NOT TOOLED
22	NOT TOOLED
24	43879-0065

FINISH:

1 - 0.00254/.000100 MIN. BRIGHT TIN OVER 0.00127/.000050 MIN. NICKEL OVERALL.

2 - 0.00076/.000030 MIN. GOLD IN CONTACT AREA, 0.00254/.000100 MIN. 90/10 MATTE TIN/LEAD IN TAIL AREA, OVER 0.00127/.000050 MIN. NICKEL OVERALL.

3 - 0.00254/.000100 MIN. 90/10 MATTE TIN/LEAD OVER 0.00127/.000050 MIN. NICKEL OVERALL.

4 - 0.00076/.000030 MIN. GOLD IN CONTACT AREA, 0.00254/.000100 MIN. MATTE TIN IN TAIL AREA, OVER 0.00127/.000050 MIN. NICKEL OVERALL.

SEE SHEET ONE EC NO: UCP2010-1250 DRWN: J JAGUILAR 2009/12/01 CHKD: JBELL 2009/12/01 APPR: FSMITH 2009/12/01	DESCRIPTION REV	QUALITY SYMBOLS	GENERAL TOLERANCES (UNLESS SPECIFIED)		DIMENSION STYLE		SCALE	DESIGN UNITS	THIRD ANGLE PROJECTION	
		▽=0 ▽7=0	mm	INCH	MM/IN		---	METRIC	MINI-FIT JR BMI/CPI HEADER ASSEMBLY	
			4 PLACES ± ---	± ---	DRAWN BY DATE					
			3 PLACES ± ---	± .010	MANLAPAZ 1998/04/08		DATE	Molex MOLEX INCORPORATED DOCUMENT NO. SD-43879-021		
	2 PLACES ± 0.25	± .014	CHECKED BY DATE		DATE					
	1 PLACE ± 0.35	± ---	APPROVED BY DATE		DATE	SHEET NO. 2 OF 2				
	ANGULAR ±1/2°		EDGLEY 1998/04/08							
DRAFT WHERE APPLICABLE MUST REMAIN WITHIN DIMENSIONS			SEE CHART		THIS DRAWING CONTAINS INFORMATION THAT IS PROPRIETARY TO MOLEX INCORPORATED AND SHOULD NOT BE USED WITHOUT WRITTEN PERMISSION					