



Chipsmall Limited consists of a professional team with an average of over 10 year of expertise in the distribution of electronic components. Based in Hongkong, we have already established firm and mutual-benefit business relationships with customers from,Europe,America and south Asia,supplying obsolete and hard-to-find components to meet their specific needs.

With the principle of "Quality Parts,Customers Priority,Honest Operation,and Considerate Service",our business mainly focus on the distribution of electronic components. Line cards we deal with include Microchip,ALPS,ROHM,Xilinx,Pulse,ON,Everlight and Freescale. Main products comprise IC,Modules,Potentiometer,IC Socket,Relay,Connector.Our parts cover such applications as commercial,industrial, and automotives areas.

We are looking forward to setting up business relationship with you and hope to provide you with the best service and solution. Let us make a better world for our industry!



Contact us

Tel: +86-755-8981 8866 Fax: +86-755-8427 6832

Email & Skype: info@chipsmall.com Web: www.chipsmall.com

Address: A1208, Overseas Decoration Building, #122 Zhenhua RD., Futian, Shenzhen, China

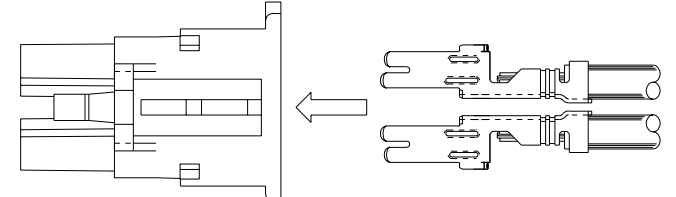
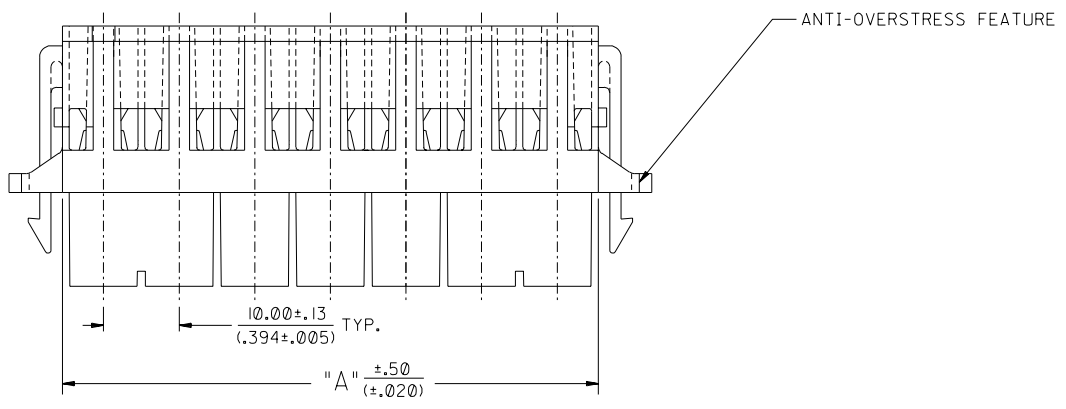


MATERIAL NUMBER	CIRCUITS	DIM. "A"	DIM. "B"	POLARIZING WEBS	
				PRESENT	QTY.
43914-1001	6	30.90/(1.217)	45.70/(1.799)	NO	0
43914-1002	8	40.90/(1.610)	55.70/(2.193)	NO	0
43914-1003	10	50.90/(2.004)	65.70/(2.587)	NO	0
43914-1004	12	60.90/(2.398)	75.70/(2.980)	NO	0
43914-1005	14	70.90/(2.791)	85.70/(3.374)	NO	0
43914-1101	6	30.90/(1.217)	45.70/(1.799)	YES	1
43914-1102	8	40.90/(1.610)	55.70/(2.193)	YES	2
43914-1103	10	50.90/(2.004)	65.70/(2.587)	YES	2
43914-1104	12	60.90/(2.398)	75.70/(2.980)	YES	2
43914-1105	14	70.90/(2.791)	85.70/(3.374)	YES	2

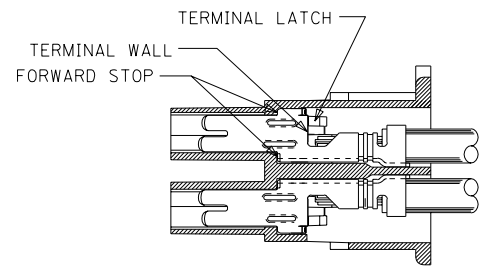
OBSOLETE

NOTES:

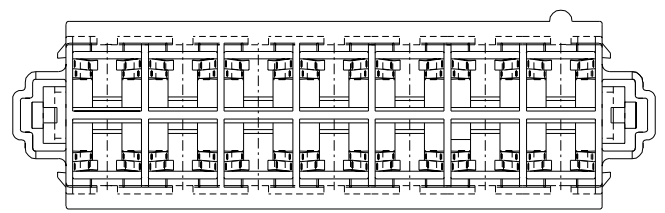
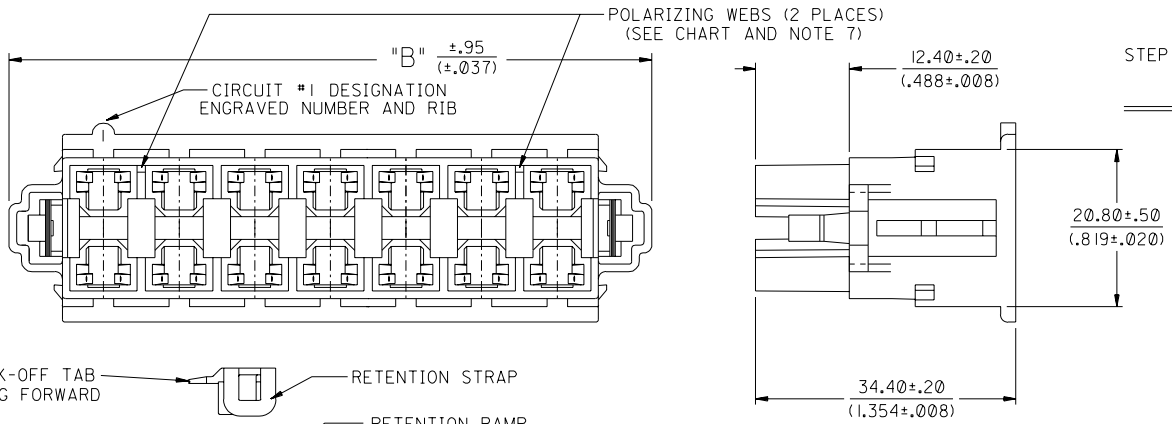
1. MATERIAL: POLYESTER, U.L. 94V-0. COLOR: BLACK
2. PRODUCT SPEC.: PS-42815-001
3. USES STANDARD 42815 MINI-FIT SR. FEMALE CRIMP TERMINALS.
4. EACH WIRE MUST BE DRESSED SUCH THAT THE TERMINAL MAINTAINS ITS FREE FLOAT WITHIN THE HOUSING.
5. TPA #43980 MUST ALWAYS BE USED WITH THIS CONNECTOR.
6. PART MATES WITH MOLEX HEADER 43915.
7. POLARIZING WEBS TO BE LOCATED BETWEEN CIRCUITS ON EITHER END OF HOUSING OF THE CIRCUIT I ROW AS SHOWN.
EXCEPTION: THE 6 CIRCUIT HOUSING WILL HAVE A SINGLE WEB ON THE CIRCUIT I END.



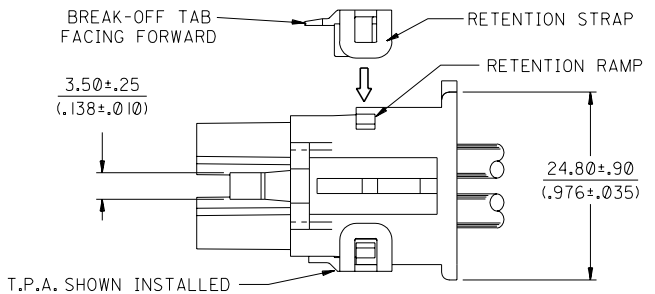
STEP 1. TERMINALS ARE TO BE ORIENTATED AND LOADED INTO HOUSING AS SHOWN.



STEP 2. TERMINALS ARE LOADED WHEN SEATED AGAINST FORWARD STOP AND TERMINAL LATCHES ARE SNAPPED BEHIND TERMINAL WALLS. RETENTION FORCE AT THIS STAGE = 0.5 Kg.



* THIS PRODUCT MUST NEVER BE USED WITHOUT THE T.P.A *



STEP 3. AFTER TERMINALS ARE LOADED INTO HOUSING, T.P.A. IS TO BE "BROKEN OR CUT" IN HALF, ORIENTATED AND INSTALLED IN THE DIRECTION SHOWN UNTIL THE RETENTION STRAPS SNAP OVER THE RETENTION RAMPS. THIS PRODUCT MUST NEVER BE USED WITHOUT THE INSTALLATION OF THE T.P.A.

ADDED NOTE EC NO. UCR2004-0496 DRWG. COMERC 03/09/12 CHK: COMERC 03/09/12 APPR: COMERC 03/09/12	DESCRIPTION MAJOR CRITICAL	QUALITY SYMBOLS MAJOR CRITICAL	GENERAL TOLERANCES: (UNLESS SPECIFIED) mm INCH	SCALE 2:1	DESIGN UNITS <input checked="" type="checkbox"/> mm <input type="checkbox"/> INCH	DIMENSIONS: <input checked="" type="checkbox"/> mm <input type="checkbox"/> INCH <input type="checkbox"/> mm ONLY	SHT REV REVISE ON CAD ONLY	
		DRAWN BY & DATE COMERC 97/08/20	CHECKED BY & DATE COMERC 97/08/25	APPROVED BY & DATE FRY 97/08/26	CAD FILENAME	TITLE: RECEPTACLE HOUSING DUAL ROW 6-14 CIRCUIT (MINI-FIT SR.)	MOLEX INCORPORATED	MATERIAL NO. SEE CHART
DRAFT WHERE APPLICABLE MUST REMAIN WITHIN DIMENSIONS			THIS DRAWING CONTAINS INFORMATION THAT IS PROPRIETARY TO MOLEX INCORPORATED AND SHOULD NOT BE USED WITHOUT WRITTEN PERMISSION.					SIZE C