



Chipsmall Limited consists of a professional team with an average of over 10 year of expertise in the distribution of electronic components. Based in Hongkong, we have already established firm and mutual-benefit business relationships with customers from,Europe,America and south Asia,supplying obsolete and hard-to-find components to meet their specific needs.

With the principle of “Quality Parts,Customers Priority,Honest Operation,and Considerate Service”,our business mainly focus on the distribution of electronic components. Line cards we deal with include Microchip,ALPS,ROHM,Xilinx,Pulse,ON,Everlight and Freescale. Main products comprise IC,Modules,Potentiometer,IC Socket,Relay,Connector.Our parts cover such applications as commercial,industrial, and automotives areas.

We are looking forward to setting up business relationship with you and hope to provide you with the best service and solution. Let us make a better world for our industry!



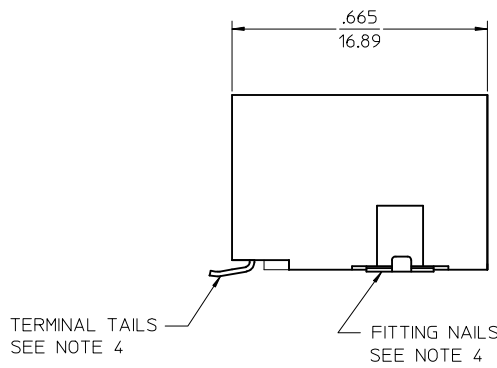
Contact us

Tel: +86-755-8981 8866 Fax: +86-755-8427 6832

Email & Skype: info@chipsmall.com Web: www.chipsmall.com

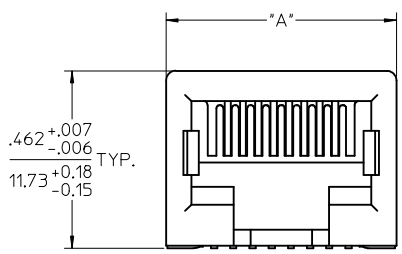
Address: A1208, Overseas Decoration Building, #122 Zhenhua RD., Futian, Shenzhen, China



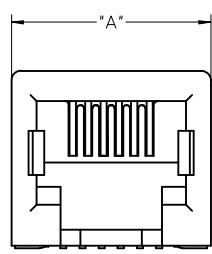


TERMINAL TAILS
SEE NOTE 4

FITTING NAILS
SEE NOTE 4

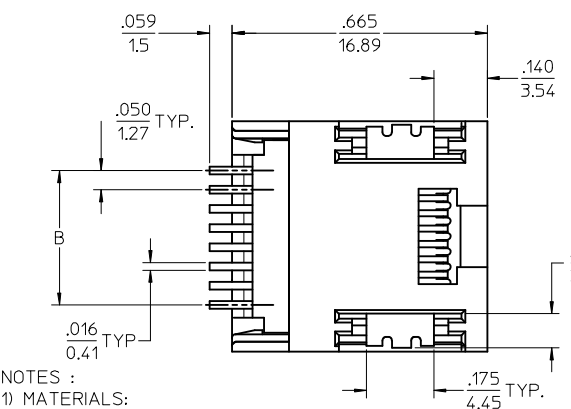


8 CIRCUIT ASSEMBLY



6 CIRCUIT ASSEMBLY

HOUSING SIZE	CIRCUIT SIZE	DIM. A	DIM. B
6	6	.520 (13.21)	.250 (6.35)
6	4	.520 (13.21)	.150 (3.81)
6	2	.520 (13.21)	.050 (1.27)
8	8	.600 (15.24)	.350 (8.89)
8	6	.600 (15.24)	.250 (6.35)

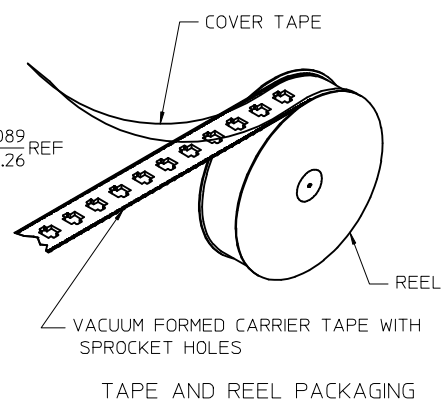


NOTES :

- MATERIALS:
HOUSING: NYLON, GLASS-FILLED, UL94V-0; COLOR - SEE CHART
TERMINALS: PHOSPHOR BRONZE, .012/(0.30) THICK
FITTING NAILS: BRASS ALLOY, .010/(0.25) THICK
- FINISH:
TERMINALS:

- SELECT GOLD IN CONTACT AREA: .000050/(0.00127) MIN.,
*SELECT MATTE TIN IN PC TAIL AREA: .000100/(0.00254) MIN.,
WITH OVERALL NICKEL UNDERPLATE: .000050/(0.00127) MIN.
 - SELECT GOLD IN CONTACT AREA: .000030/(0.00076) MIN.,
*SELECT MATTE TIN IN PC TAIL AREA: .000100/(0.00254) MIN.,
WITH OVERALL NICKEL UNDERPLATE: .000050/(0.00127) MIN.
 - SELECT GOLD IN CONTACT AREA: .000015/(0.00038) MIN.,
*SELECT MATTE TIN IN PC TAIL AREA: .000100/(0.00254) MIN.,
WITH OVERALL NICKEL UNDERPLATE: .000050/(0.00127) MIN.
- FITTING NAILS:
*100 MICRONS MATTE TIN OVER 50 MICRONS NICKEL UNDERPLATE
*THE PRIMARY SHIPPING CARTON WILL BE LABELED "ELV AND
RoHS COMPLIANT" CARTONS WITHOUT THIS LABEL MAY CONTAIN
PRODUCT WITH TIN-LEAD IN THE PC TAIL AND/OR FITTING NAILS.

- PRODUCT SPECIFICATION: PS-43743-001
- COPLANARITY SPECIFICATION:
WITH THE MODULAR JACK SITTING ON A LEVEL SURFACE, THE
MAXIMUM GAP BETWEEN THE LEVEL SURFACE AND ALL TERMINAL
TAILS AND BOTH FITTING NAILS IS .006/(0.15).
- FOR ASSEMBLIES HAVING VOIDED CIRCUITS, THE TAIL PORTION IS CUT
AND REMOVED. THE MATING PORTION OF THE TERMINAL REMAINS INTACT.
- CONVECTION SOLDERING TECHNOLOGY SHOULD BE USED WHEN GANGING MODULAR
JACKS WITH INBOARD NAILS SIDE-BY-SIDE.
- THIS PART CONFORMS TO CLASS B REQUIREMENTS OF COSMETIC
SPECIFICATION PS-45499-002.



*X=NOT TOOLED

	ASSEMBLY ITEM NO.	CONNECTOR SIZE	CIRCUIT SIZE	TERMINAL PLATING	TAPE & REEL PACKAGING No.	VOIDED CIRCUITS	HOUSING COLOR
X	44144-0001	8	4	A	PK-70873-7002	NA	BLACK
X	44144-0002	8	6	A	PK-70873-7002		
X	44144-0003	8	8	A	PK-70873-7002		
	44144-0004	6	4	A	PK-70873-7001		
	44144-0005	6	6	A	PK-70873-7001		
X	44144-0006	8	4	B	PK-70873-7002		
X	44144-0007	8	6	B	PK-70873-7002		
X	44144-0008	8	8	B	PK-70873-7002		
X	44144-0009	6	4	B	PK-70873-7001		
X	44144-0010	6	6	B	PK-70873-7001		
X	44144-0011	8	4	C	PK-70873-7002		
X	44144-0012	8	6	C	PK-70873-7002		
	44144-0013	8	8	C	PK-70873-7002		
	44144-0014	6	4	C	PK-70873-7001		
X	44144-0015	6	6	C	PK-70873-7001	NA	
X	44144-0016	8	4	C	PK-70873-7001	2,3,6,7	
X	44144-0017	6	2	A	PK-70873-7001	NA	
X	44144-0018	6	2	B	PK-70873-7001		
X	44144-0019	6	2	C	PK-70873-7001		
X	44144-0023	8	2	A	PK-70873-7002	NA	

2	G
1	H4
SH	REV

ACTIVE 441440013 EC NO: UCP2017-1854 DRWNAFENG02 2017/02/23 CHKD: APPR:KLANG 2017/02/27 H6 REV	QUALITY SYMBOLS ▽=0 ▽=0	GENERAL TOLERANCES (UNLESS SPECIFIED)		DIMENSION STYLE IN/MM		SCALE	DESIGN UNITS INCH	THIRD ANGLE PROJECTION			
		4 PLACES ± --- INCH 3 PLACES ± --- ±.010 2 PLACES ±.25 ±.015 1 PLACE ±0.38 ± ---	mm INCH	DRAWN BY MUELLER	DATE 98/03/13	TITLE 4, 6, 8 CIRCUIT SMT MODULAR JACK W/ FLUSH FITTING NAILS					
		ANGULAR ±1/2°		CHECKED BY ROBERTS	DATE 98/03/16	MOLEX INCORPORATED					
		DRAFT WHERE APPLICABLE MUST REMAIN WITHIN DIMENSIONS		APPROVED BY R EDGLEY	DATE 98/03/17	MATERIAL NO. SEE CHART		DOCUMENT NO. SD-44144-001	SHEET NO. 1 OF 2		

THIS DRAWING CONTAINS INFORMATION THAT IS PROPRIETARY TO MOLEX INCORPORATED AND SHOULD NOT BE USED WITHOUT WRITTEN PERMISSION