



Chipsmall Limited consists of a professional team with an average of over 10 year of expertise in the distribution of electronic components. Based in Hongkong, we have already established firm and mutual-benefit business relationships with customers from,Europe,America and south Asia,supplying obsolete and hard-to-find components to meet their specific needs.

With the principle of "Quality Parts,Customers Priority,Honest Operation,and Considerate Service",our business mainly focus on the distribution of electronic components. Line cards we deal with include Microchip,ALPS,ROHM,Xilinx,Pulse,ON,Everlight and Freescale. Main products comprise IC,Modules,Potentiometer,IC Socket,Relay,Connector.Our parts cover such applications as commercial,industrial, and automotives areas.

We are looking forward to setting up business relationship with you and hope to provide you with the best service and solution. Let us make a better world for our industry!



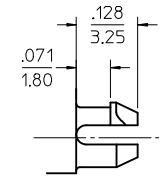
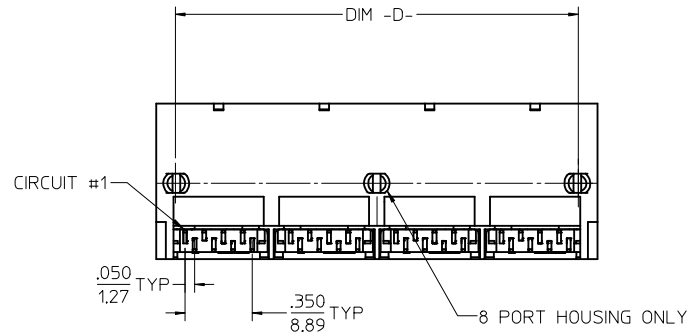
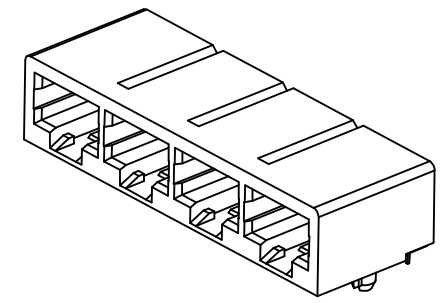
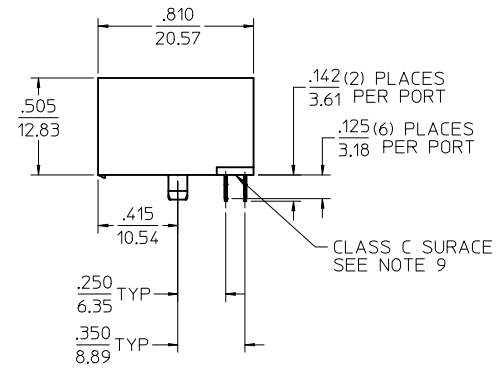
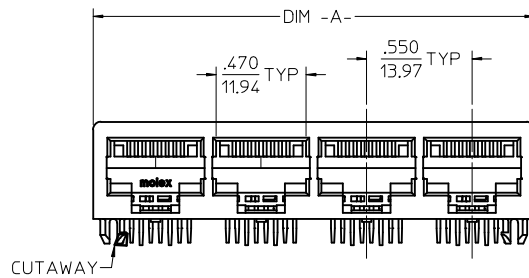
Contact us

Tel: +86-755-8981 8866 Fax: +86-755-8427 6832

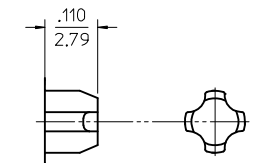
Email & Skype: info@chipsmall.com Web: www.chipsmall.com

Address: A1208, Overseas Decoration Building, #122 Zhenhua RD., Futian, Shenzhen, China





PEG OPTION 'A'
SNAP-FIT PEG
SEE NOTE #7
(SCALE NTS)

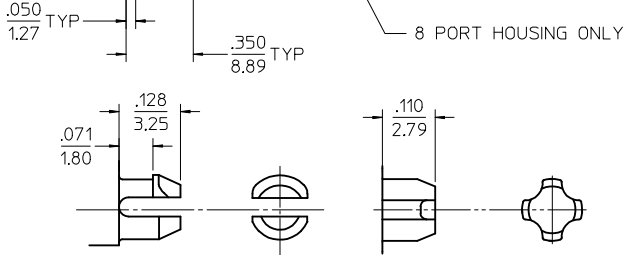
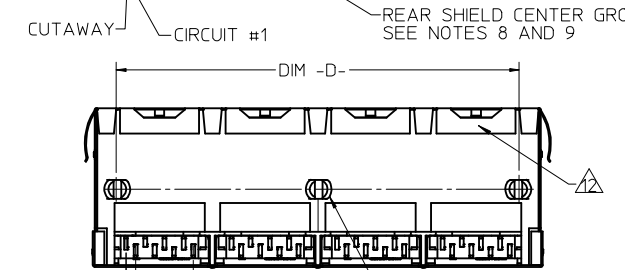
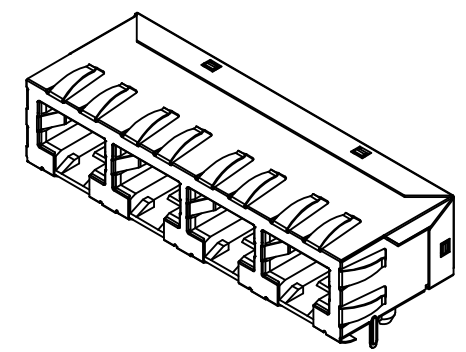
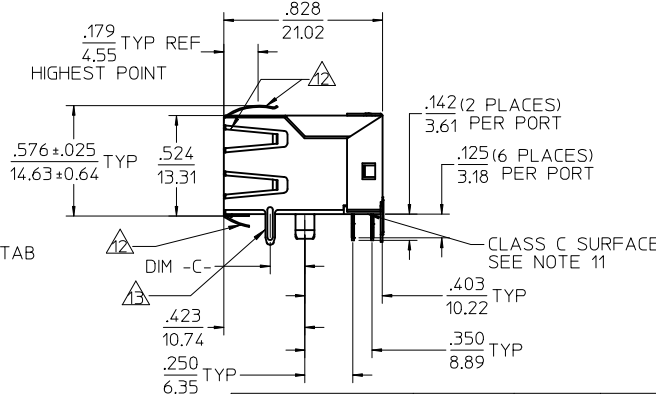
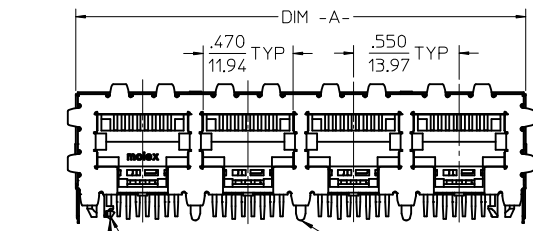


PEG OPTION 'B'
PRESS-FIT PEG
SEE NOTE #7
(SCALE NTS)

- NOTES:
- MATERIAL:
HOUSING: NYLON, GLASS FILLED, UL94V-0, COLOR: BLACK
TERMINALS: PHOSPHOR BRONZE
 - FINISH:
TERMINALS:
SELECT GOLD IN CONTACT AREA: 50 MICROINCHES / 1.27 MICROMETERS MIN.,
SELECT MATTE TIN IN PC TAIL AREA: 100 MICROINCHES / 2.54 MICROMETERS MIN.,
WITH OVERALL NICKEL UNDERPLATE: 50 MICROINCHES / 1.27 MICROMETERS MIN.
 - PRODUCT SPECIFICATION: PS-44050-003.
 - PACKAGING SPECIFICATION:
UNSHIELDED CONNECTOR ASSEMBLIES IN THERMOFORMED TRAYS PER MOLEX
PACKAGING SPECIFICATION PK-44150-005.
 - MATES WITH: MODULAR PLUGS THAT CONFORM TO FCC REGULATION PART 68.5.
 - PC BOARD LAYOUTS AND PANEL CUT-OUT SHOWN ON PAGE (3) OF (3).
 - CONNECTOR AVAILABLE WITH EITHER PEG OPTION 'A' (SNAP-FIT) OR PEG OPTION 'B' (PRESS-FIT). THIS DRAWING SHOWS PEG OPTION 'A'.
 - TERMINAL LENGTHS MAY BE DIFFERENT FROM TERMINAL TO TERMINAL.
 - THIS PART CONFORMS TO CLASS B REQUIREMENTS OF COSMETIC SPECIFICATION PS-45499-002 WITH THE EXCEPTION OF THE SURFACE INDICATED WHICH IS A CLASS C SURFACE.

X=NOT TOOLED	ASSEMBLY MATERIAL NUMBER	NUMBER OF PORTS	PEG OPTION	CENTER PEG	DIM -A-	DIM -D-
	441500001	2	A	NO	1,200/30.48	1,000/25.40
	441500017	2	B	NO	1,200/30.48	1,000/25.40
x	441500002	4	A	NO	2,300/58.42	2,100/53.34
x	441500018	4	B	NO	2,300/58.42	2,100/53.34
x	441500003	6	A	NO	3,400/86.36	3,200/81.28
x	441500019	6	B	NO	3,400/86.36	3,200/81.28
x	441500004	8	A	YES	4,500/114.30	4,300/109.22
x	441500020	8	B	YES	4,500/114.30	4,300/109.22

ADD PN 44150-0036/7 EC NO: UCP2017-2330 DRWN:AFENG02 2017/04/25 CHKD:KATARZ/ENE 2017/04/26 APPR:KLANG 2017/04/26	DESCRIPTION REV D9	QUALITY SYMBOLS	GENERAL TOLERANCES (UNLESS SPECIFIED)	DIMENSION STYLE IN/MM	SCALE 2:1	DESIGN UNITS INCH	THIRD ANGLE PROJECTION	
		$\nabla = 0$ $\nabla = 0$ $\nabla = 0$	mm INCH 4 PLACES ± --- ± --- 3 PLACES ± --- ± .010 2 PLACES ± 0.25 ± --- 1 PLACE ± --- ± --- 0 PLACE ± ±	DRAWN BY MARANTO CHECKED BY ROBERTS APPROVED BY ROBERTS	DATE 98/01/21 DATE 98/01/21 DATE 98/01/21	CATEGORY 5 MODULAR JACK ASSEMBLIES, GANGED		
		ANGULAR ±1/2° DRAFT WHERE APPLICABLE MUST REMAIN WITHIN DIMENSIONS	MATERIAL NO. SEE CHART	DOCUMENT NO. SD-44150-002	SHEET NO. 1 OF 3			
		THIS DRAWING CONTAINS INFORMATION THAT IS PROPRIETARY TO MOLEX INCORPORATED AND SHOULD NOT BE USED WITHOUT WRITTEN PERMISSION						



PEG OPTION 'A'

SNAP-FIT PEG
SEE NOTE #7
(SCALE NTS)

PEG OPTION 'B'

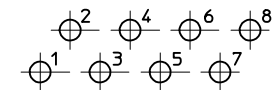
PRESS-FIT PEG
SEE NOTE #7
(SCALE NTS)

- NOTES:
- MATERIAL:
HOUSING: NYLON, GLASS FILLED, UL94V-0, COLOR: BLACK
TERMINALS: PHOSPHOR BRONZE
SHIELD: BRASS
 - FINISH:
TERMINALS:
SELECT GOLD IN CONTACT AREA: 50 MICROINCHES / 1.27 MICROMETERS MIN.,
SELECT MATTE TIN IN PC TAIL AREA: 100 MICROINCHES / 2.54 MICROMETERS MIN.,
WITH OVERALL NICKEL UNDERPLATE: 50 MICROINCHES / 1.27 MICROMETERS MIN.
SHIELD:
100 MICROINCHES / 2.54 MICROMETERS NICKEL OVER 50 MICROINCHES /
1.27 MICROMETERS COPPER UNDERPLATE, PCB GROUND TABS DIPPED IN TIN
 - PRODUCT SPECIFICATION: PS-44050-003.
 - PACKAGING SPECIFICATION:
SHIELDED CONNECTOR ASSEMBLIES IN THERMOFORMED TRAYS PER MOLEX
PACKAGING SPECIFICATION PK-44150-004.
 - MATES WITH: MODULAR PLUGS THAT CONFORM TO FCC REGULATION PART 68.5.
 - PC BOARD LAYOUTS AND PANEL CUT-OUT SHOWN ON PAGE (3) OF (3).
 - CONNECTOR AVAILABLE WITH EITHER PEG OPTION 'A' (SNAP-FIT) OR
PEG OPTION 'B' (PRESS-FIT). THIS DRAWING SHOWS PEG OPTION 'A'.
 - (4) PORT AND (8) PORT MODJACKS AVAILABLE WITH A SINGLE GROUND TAB ON REAR
OF SHIELD, LOCATED IN THE CENTER. PER THE ASSEMBLY MATERIAL NUMBER TABLE.
 - (8) PORT VERSION AVAILABLE WITH (3) GROUND TABS ON REAR OF SHIELD,
CENTERED ON THE PART, PER THE ASSEMBLY MATERIAL NUMBER TABLE.
 - TERMINAL LENGTHS MAY BE DIFFERENT FROM TERMINAL TO TERMINAL.
 - THIS PART CONFORMS TO CLASS B REQUIREMENTS OF COSMETIC SPECIFICATION
PS-45499-002 WITH THE EXCEPTION OF THE SURFACE INDICATED WHICH IS A
CLASS C SURFACE.
 - 441500036 DOES NOT HAVE TOP, SIDE, OR BOTTOM GROUND TABS &
HAS SHORTER BOTTOM FLANGES
 - 441500034 DOES NOT HAVE SIDE GROUND TABS
 - 441500037 DOES NOT HAVE BOTTOM GROUND TABS

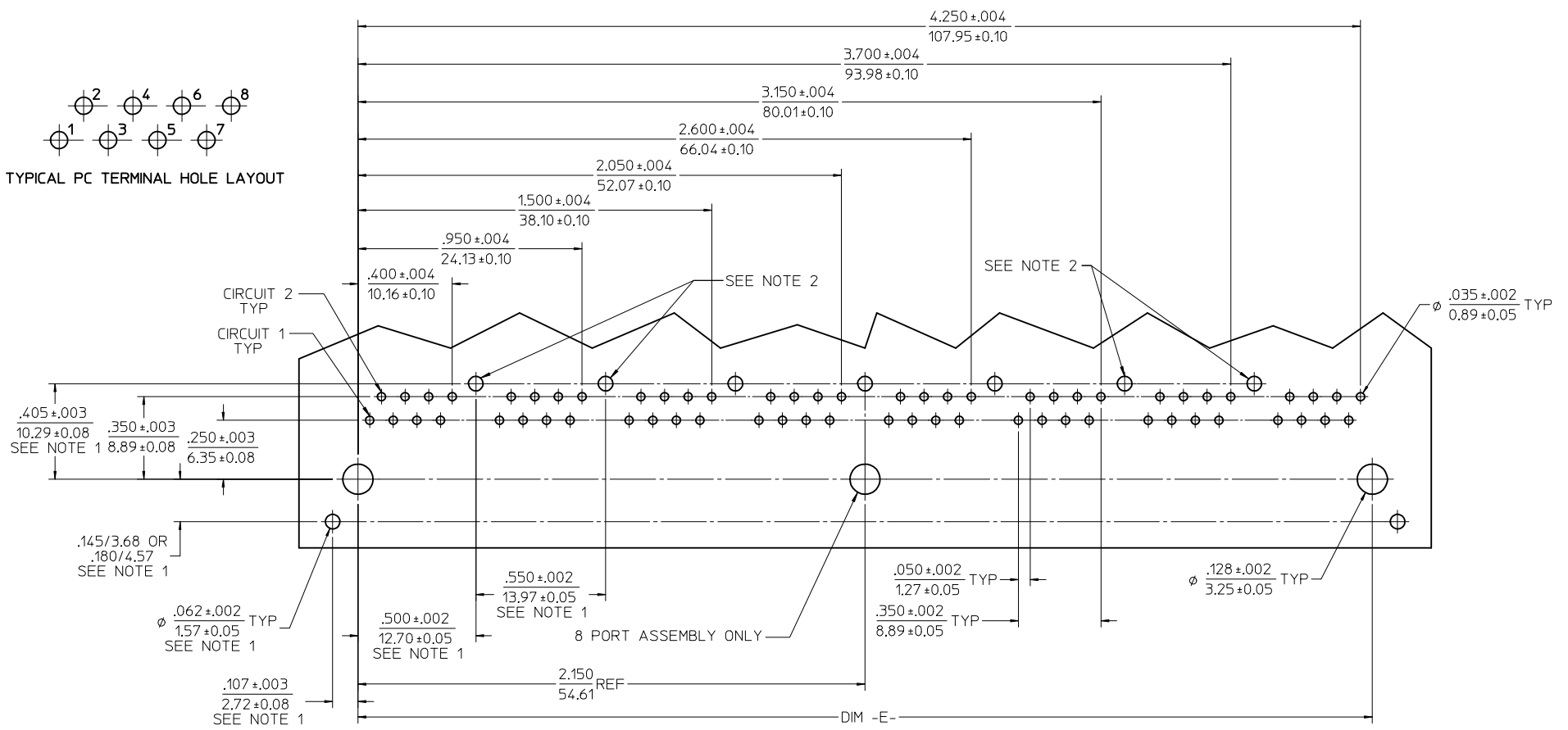
ASSEMBLY MATERIAL NUMBER	NUMBER OF PORTS	PEG OPTION	CENTER PEG	REAR SHIELD GROUND TABS	DIM -A-	DIM -C-	DIM -D-
441500005	2	A	NO	1	1,225/31.12	0,145/3.68	1,000/25.40
441500011	2	A	NO	1	1,225/31.12	0,180/4.57	1,000/25.40
12 441500036	2	A	NO	0	1,225/31.12	0,180/4.57	1,000/25.40
441500021	2	B	NO	1	1,225/31.12	0,145/3.68	1,000/25.40
441500027	x 2	B	NO	1	1,225/31.12	0,180/4.57	1,000/25.40
441500009	x 4	A	NO	1	2,325/59.05	0,145/3.68	2,100/53.34
14 441500037	4	A	NO	0	2,325/59.05	0,145/3.68	2,100/53.34
441500015	x 4	A	NO	1	2,325/59.05	0,180/4.57	2,100/53.34
441500006	4	A	NO	3	2,325/59.05	0,145/3.68	2,100/53.34
441500012	4	A	NO	3	2,325/59.05	0,180/4.57	2,100/53.34
441500025	x 4	B	NO	1	2,325/59.05	0,145/3.68	2,100/53.34
441500031	x 4	B	NO	1	2,325/59.05	0,180/4.57	2,100/53.34
441500022	4	B	NO	3	2,325/59.05	0,145/3.68	2,100/53.34
441500028	x 4	B	NO	3	2,325/59.05	0,180/4.57	2,100/53.34
13 441500034	x 4	B	NO	3	2,325/59.05	N/A	2,100/53.34
441500007	x 6	A	NO	5	3,425/87.00	0,145/3.68	3,200/81.28
441500013	6	A	NO	5	3,425/87.00	0,180/4.57	3,200/81.28
441500023	x 6	B	NO	5	3,425/87.00	0,145/3.68	3,200/81.28
441500029	6	B	NO	5	3,425/87.00	0,180/4.57	3,200/81.28
441500010	x 8	A	YES	1	4,525/114.94	0,145/3.68	4,300/109.22
441500016	x 8	A	YES	1	4,525/114.94	0,180/4.57	4,300/109.22
441500033	x 8	A	YES	3	4,525/114.94	0,145/3.68	4,300/109.22
441500008	8	A	YES	7	4,525/114.94	0,145/3.68	4,300/109.22
441500014	x 8	A	YES	7	4,525/114.94	0,180/4.57	4,300/109.22
441500026	x 8	B	YES	1	4,525/114.94	0,145/3.68	4,300/109.22
441500032	x 8	B	YES	1	4,525/114.94	0,180/4.57	4,300/109.22
441500024	x 8	B	YES	7	4,525/114.94	0,145/3.68	4,300/109.22
441500030	x 8	B	YES	7	4,525/114.94	0,180/4.57	4,300/109.22

X = NOT TOOLED

SEE SHEET 1 EC NO: UCP2017-2330 DRWINAFENG02 2017/04/25 CHKDKATARZ/ENE 2017/04/26 APPR-KLANG 2017/04/26 D9 REV:	QUALITY SYMBOLS ▽=0 ▽=0 ▽=0	GENERAL TOLERANCES (UNLESS SPECIFIED)		DIMENSION STYLE IN/MM		SCALE 2:1	DESIGN UNITS INCH	THIRD ANGLE PROJECTION		
		mm INCH		DRAWN BY MARANTO	DATE 98/01/21	CATEGORY 5 MODULAR JACK ASSEMBLIES, GANGED				
		4 PLACES ± --- ± --- 3 PLACES ± --- ± .010 2 PLACES ± .025 ± --- 1 PLACE ± --- ± --- 0 PLACE ± ±		CHECKED BY ROBERTS	DATE 98/01/21					
		ANGULAR ±1/2°		APPROVED BY ROBERTS	DATE 98/01/21	molex		DOCUMENT NO. SD-44150-002	SHEET NO. 2 OF 3	
DRAFT WHERE APPLICABLE MUST REMAIN WITHIN DIMENSIONS		MATERIAL NO. SEE CHART		THIS DRAWING CONTAINS INFORMATION THAT IS PROPRIETARY TO MOLEX. INCORPORATED AND SHOULD NOT BE USED WITHOUT WRITTEN PERMISSION						



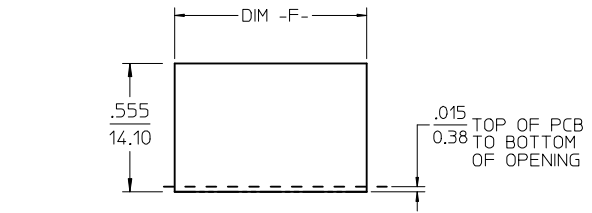
TYPICAL PC TERMINAL HOLE LAYOUT



PCB LAYOUT : COMPONENT SIDE
RECOMMENDED PCB THICKNESS : .062/1.57

- NOTES:
1. DIMENSIONS REFER TO SHIELDED ASSEMBLIES ONLY
 2. SHIELD PCB GROUND TAB HOLES SPECIFIED NOT PRESENT FOR 441500033 USAGE

NUMBER OF PORTS	DIM -E-	DIM -F-
2	1.000/25.40	1.255/31.88
4	2.100/53.34	2.355/59.82
6	3.200/81.28	3.455/87.86
8	4.300/109.22	4.555/115.70



SUGGESTED PANEL OPENING
SHIELDED VERSIONS

SEE SHEET 1 EC NO: UCP2017-2330 DRW: WAFENG02 2017/04/25 CHK: D.KATARZIENE 2017/04/26 APPR: KLANG 2017/04/26 REV: D9	QUALITY SYMBOLS	GENERAL TOLERANCES (UNLESS SPECIFIED)	DIMENSION STYLE	SCALE	DESIGN UNITS	THIRD ANGLE PROJECTION
	▽=0	m/m INCH	IN/MM	INCH	INCH	THIRD ANGLE PROJECTION
	▽=0	4 PLACES ± --- ± ---	DRAWN BY	DATE	TITLE	molex CATEGORY 5 MODULAR JACK ASSEMBLIES, GANGED
	▽=0	3 PLACES ± --- ± .010	MARANTO	98/01/21	SD-44150-002	
		2 PLACES ± 0.25 ± ---	CHECKED BY	DATE	DOCUMENT NO.	SHEET NO.
	1 PLACE ± --- ± ---	ROBERTS	98/01/21	SD-44150-002	3 OF 3	
	0 PLACE ± ±	APPROVED BY	DATE	THIS DRAWING CONTAINS INFORMATION THAT IS PROPRIETARY TO MOLEX INCORPORATED AND SHOULD NOT BE USED WITHOUT WRITTEN PERMISSION		
		ROBERTS	98/01/21			