



Chipsmall Limited consists of a professional team with an average of over 10 year of expertise in the distribution of electronic components. Based in Hongkong, we have already established firm and mutual-benefit business relationships with customers from,Europe,America and south Asia,supplying obsolete and hard-to-find components to meet their specific needs.

With the principle of “Quality Parts,Customers Priority,Honest Operation,and Considerate Service”,our business mainly focus on the distribution of electronic components. Line cards we deal with include Microchip,ALPS,ROHM,Xilinx,Pulse,ON,Everlight and Freescale. Main products comprise IC,Modules,Potentiometer,IC Socket,Relay,Connector.Our parts cover such applications as commercial,industrial, and automotives areas.

We are looking forward to setting up business relationship with you and hope to provide you with the best service and solution. Let us make a better world for our industry!



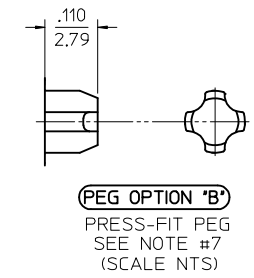
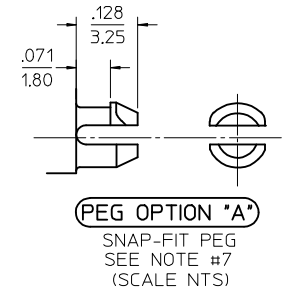
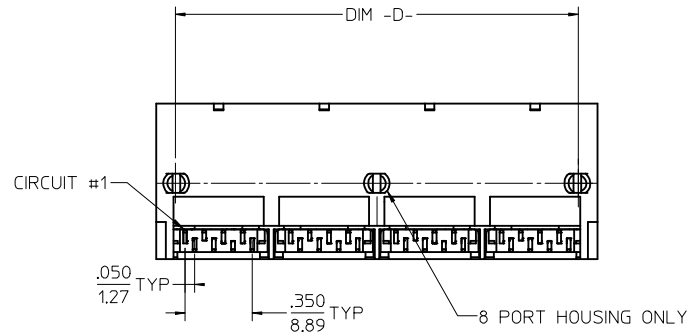
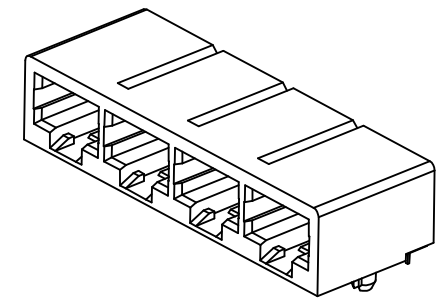
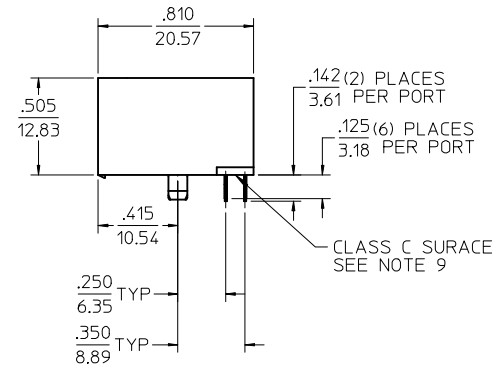
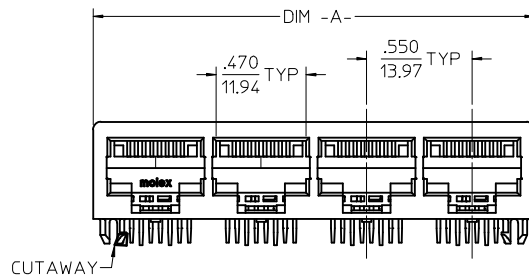
Contact us

Tel: +86-755-8981 8866 Fax: +86-755-8427 6832

Email & Skype: info@chipsmall.com Web: www.chipsmall.com

Address: A1208, Overseas Decoration Building, #122 Zhenhua RD., Futian, Shenzhen, China

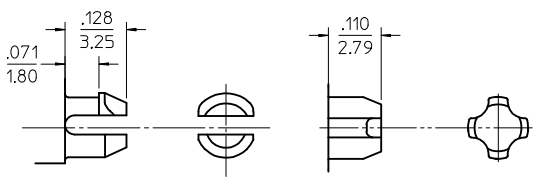
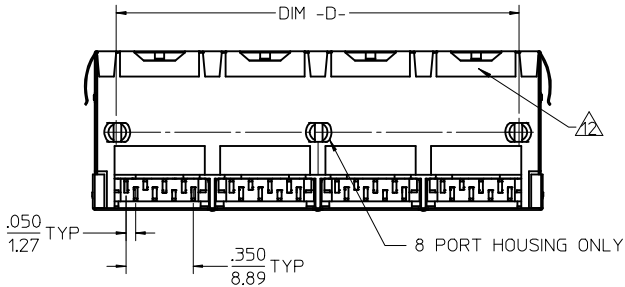
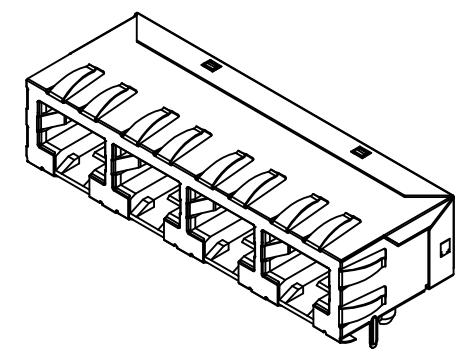
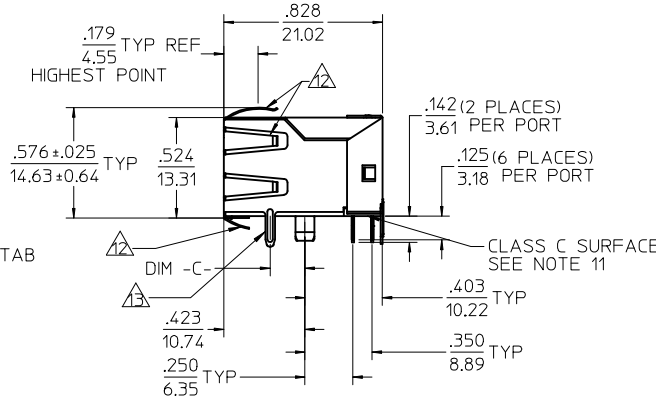
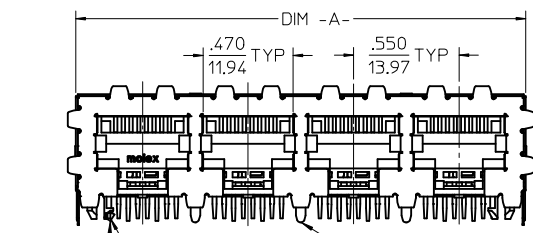




- NOTES:
- MATERIAL:
HOUSING: NYLON, GLASS FILLED, UL94V-0, COLOR: BLACK
TERMINALS: PHOSPHOR BRONZE
 - FINISH:
TERMINALS:
SELECT GOLD IN CONTACT AREA: 50 MICROINCHES / 1.27 MICROMETERS MIN.
SELECT MATTE TIN IN PC TAIL AREA: 100 MICROINCHES / 2.54 MICROMETERS MIN.,
WITH OVERALL NICKEL UNDERPLATE: 50 MICROINCHES / 1.27 MICROMETERS MIN.
 - PRODUCT SPECIFICATION: PS-44050-003.
 - PACKAGING SPECIFICATION:
UNSHIELDED CONNECTOR ASSEMBLIES IN THERMOFORMED TRAYS PER MOLEX
PACKAGING SPECIFICATION PK-44150-005.
 - MATES WITH: MODULAR PLUGS THAT CONFORM TO FCC REGULATION PART 68.5.
 - PC BOARD LAYOUTS AND PANEL CUT-OUT SHOWN ON PAGE (3) OF (3).
 - CONNECTOR AVAILABLE WITH EITHER PEG OPTION "A" (SNAP-FIT) OR PEG OPTION "B" (PRESS-FIT). THIS DRAWING SHOWS PEG OPTION "A".
 - TERMINAL LENGTHS MAY BE DIFFERENT FROM TERMINAL TO TERMINAL.
 - THIS PART CONFORMS TO CLASS B REQUIREMENTS OF COSMETIC SPECIFICATION PS-45499-002 WITH THE EXCEPTION OF THE SURFACE INDICATED WHICH IS A CLASS C SURFACE.

ASSEMBLY MATERIAL NUMBER	NUMBER OF PORTS	PEG OPTION	CENTER PEG	DIM -A-	DIM -D-
441500001	2	A	NO	1,200/30.48	1,000/25.40
441500017	2	B	NO	1,200/30.48	1,000/25.40
441500002	4	A	NO	2,300/58.42	2,100/53.34
441500018	4	B	NO	2,300/58.42	2,100/53.34
441500003	6	A	NO	3,400/86.36	3,200/81.28
441500019	6	B	NO	3,400/86.36	3,200/81.28
441500004	8	A	YES	4,500/114.30	4,300/109.22
441500020	8	B	YES	4,500/114.30	4,300/109.22

ADD -0037 EC NO: UCP2014-5068 DRW: NGUYEN CHKD: J.BELL APPR: F.S.MITH	DESCRIPTION REV D7	QUALITY SYMBOLS ▽=0 ▽=0 ▽=0	GENERAL TOLERANCES (UNLESS SPECIFIED)		DIMENSION STYLE IN/MM		SCALE 2:1	DESIGN UNITS INCH	THIRD ANGLE PROJECTION	
			mm	INCH	DRAWN BY MARANTO	DATE 98/01/21	CATEGORY 5 MODULAR JACK ASSEMBLIES, GANGED molex DOCUMENT NO. SD-44150-002 SHEET NO. 1 OF 3			
			4 PLACES ± ---	± ---	CHECKED BY ROBERTS	DATE 98/01/21				
			3 PLACES ± ---	± .010	APPROVED BY ROBERTS	DATE 98/01/21				
ANGULAR ±1/2°		DRAFT WHERE APPLICABLE MUST REMAIN WITHIN DIMENSIONS		MATERIAL NO. SEE CHART		THIS DRAWING CONTAINS INFORMATION THAT IS PROPRIETARY TO MOLEX INCORPORATED AND SHOULD NOT BE USED WITHOUT WRITTEN PERMISSION				



PEG OPTION 'A'
SNAP-FIT PEG
SEE NOTE #7
(SCALE NTS)

PEG OPTION 'B'
PRESS-FIT PEG
SEE NOTE #7
(SCALE NTS)

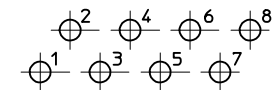
- NOTES:
- 1) MATERIAL:
HOUSING: NYLON, GLASS FILLED, UL94V-0, COLOR: BLACK
TERMINALS: PHOSPHOR BRONZE
SHIELD: BRASS
 - 2) FINISH:
TERMINALS:
SELECT GOLD IN CONTACT AREA: 50 MICROINCHES / 1.27 MICROMETERS MIN.,
SELECT MATTE TIN IN PC TAIL AREA: 100 MICROINCHES / 2.54 MICROMETERS MIN.,
WITH OVERALL NICKEL UNDERPLATE: 50 MICROINCHES / 1.27 MICROMETERS MIN.
SHIELD:
100 MICROINCHES / 2.54 MICROMETERS NICKEL OVER 50 MICROINCHES /
1.27 MICROMETERS COPPER UNDERPLATE, PCB GROUND TABS DIPPED IN TIN
 - 3) PRODUCT SPECIFICATION: PS-44050-003.
 - 4) PACKAGING SPECIFICATION:
SHIELDED CONNECTOR ASSEMBLIES IN THERMOFORMED TRAYS PER MOLEX
PACKAGING SPECIFICATION PK-44150-004.
 - 5) MATES WITH: MODULAR PLUGS THAT CONFORM TO FCC REGULATION PART 68.5.
 - 6) PC BOARD LAYOUTS AND PANEL CUT-OUT SHOWN ON PAGE (3) OF (3).
 - 7) CONNECTOR AVAILABLE WITH EITHER PEG OPTION 'A' (SNAP-FIT) OR
PEG OPTION 'B' (PRESS-FIT). THIS DRAWING SHOWS PEG OPTION 'A'.
 - 8) (4) PORT AND (8) PORT MODJACKS AVAILABLE WITH A SINGLE GROUND TAB ON REAR
OF SHIELD, LOCATED IN THE CENTER. PER THE ASSEMBLY MATERIAL NUMBER TABLE.
 - 9) (8) PORT VERSION AVAILABLE WITH (3) GROUND TABS ON REAR OF SHIELD,
CENTERED ON THE PART. PER THE ASSEMBLY MATERIAL NUMBER TABLE.
 - 10) TERMINAL LENGTHS MAY BE DIFFERENT FROM TERMINAL TO TERMINAL.
 - 11) THIS PART CONFORMS TO CLASS B REQUIREMENTS OF COSMETIC SPECIFICATION
PS-45499-002 WITH THE EXCEPTION OF THE SURFACE INDICATED WHICH IS A
CLASS C SURFACE.

- △ 441500036 DOES NOT HAVE TOP, SIDE, OR BOTTOM GROUND TABS &
HAS SHORTER BOTTOM FLANGES
- △ 441500034 DOES NOT HAVE SIDE GROUND TABS
- △ 441500037 DOES NOT HAVE BOTTOM GROUND TABS

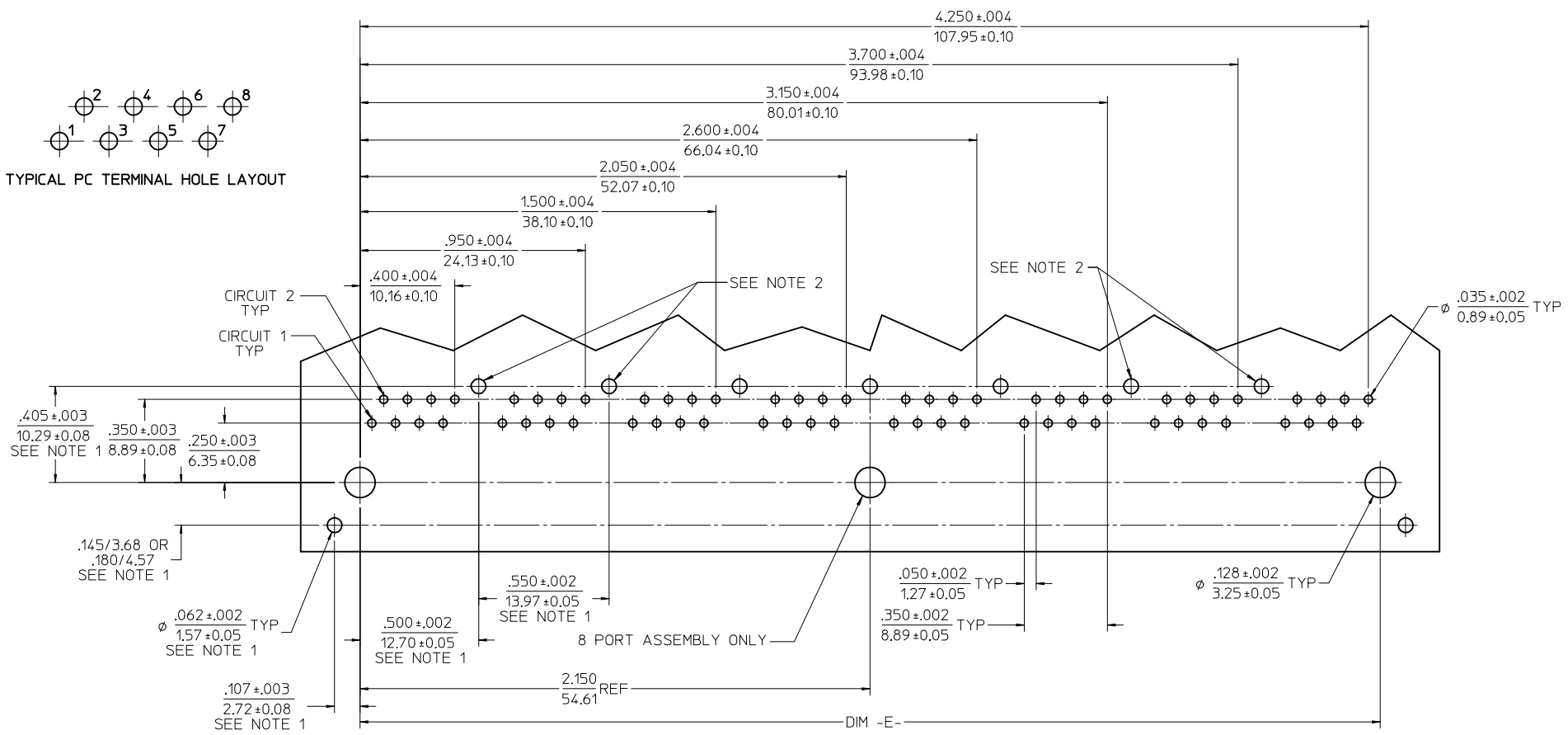
ASSEMBLY MATERIAL NUMBER	NUMBER OF PORTS	PEG OPTION	CENTER PEG	REAR SHIELD GROUND TABS	DIM -A-	DIM -C-	DIM -D-
441500005	2	A	NO	1	1.225/31.12	0.145/3.68	1.000/25.40
441500011	2	A	NO	1	1.225/31.12	0.180/4.57	1.000/25.40
△12 441500036	2	A	NO	0	1.225/31.12	0.180/4.57	1.000/25.40
441500021	2	B	NO	1	1.225/31.12	0.145/3.68	1.000/25.40
441500027	2	B	NO	1	1.225/31.12	0.180/4.57	1.000/25.40
441500009	4	A	NO	1	2.325/59.05	0.145/3.68	2.100/53.34
△14 441500037	4	A	NO	0	2.325/59.05	0.145/3.68	2.100/53.34
441500015	4	A	NO	1	2.325/59.05	0.180/4.57	2.100/53.34
441500006	4	A	NO	3	2.325/59.05	0.145/3.68	2.100/53.34
441500012	4	A	NO	3	2.325/59.05	0.180/4.57	2.100/53.34
441500025	4	B	NO	1	2.325/59.05	0.145/3.68	2.100/53.34
441500031	4	B	NO	1	2.325/59.05	0.180/4.57	2.100/53.34
441500022	4	B	NO	3	2.325/59.05	0.145/3.68	2.100/53.34
441500028	4	B	NO	3	2.325/59.05	0.180/4.57	2.100/53.34
△13 441500034	4	B	NO	3	2.325/59.05	N/A	2.100/53.34
441500007	6	A	NO	5	3.425/87.00	0.145/3.68	3.200/81.28
441500013	6	A	NO	5	3.425/87.00	0.180/4.57	3.200/81.28
441500023	6	B	NO	5	3.425/87.00	0.145/3.68	3.200/81.28
441500029	6	B	NO	5	3.425/87.00	0.180/4.57	3.200/81.28
441500010	8	A	YES	1	4.525/114.94	0.145/3.68	4.300/109.22
441500016	8	A	YES	1	4.525/114.94	0.180/4.57	4.300/109.22
441500033	8	A	YES	3	4.525/114.94	0.145/3.68	4.300/109.22
441500008	8	A	YES	7	4.525/114.94	0.145/3.68	4.300/109.22
441500014	8	A	YES	7	4.525/114.94	0.180/4.57	4.300/109.22
441500026	8	B	YES	1	4.525/114.94	0.145/3.68	4.300/109.22
441500032	8	B	YES	1	4.525/114.94	0.180/4.57	4.300/109.22
441500024	8	B	YES	7	4.525/114.94	0.145/3.68	4.300/109.22
441500030	8	B	YES	7	4.525/114.94	0.180/4.57	4.300/109.22

X = NOT TOOLED

SEE SHEET 1 EC NO: UCP2014-5068 DRWINANGUYEN 2014/06/03 CHKD:JBELL 2014/06/03 APPR:FSMITH 2014/09/04 D7	QUALITY SYMBOLS ▽=0 ▽=0 ▽=0	GENERAL TOLERANCES (UNLESS SPECIFIED) <table border="1"> <tr><th colspan="2">DIMENSION STYLE</th></tr> <tr><th colspan="2">IN/MM</th></tr> <tr><td>4 PLACES</td><td>± --- ± ---</td></tr> <tr><td>3 PLACES</td><td>± --- ± .010</td></tr> <tr><td>2 PLACES</td><td>± .025 ± ---</td></tr> <tr><td>1 PLACE</td><td>± --- ± ---</td></tr> <tr><td>0 PLACE</td><td>± ±</td></tr> </table>	DIMENSION STYLE		IN/MM		4 PLACES	± --- ± ---	3 PLACES	± --- ± .010	2 PLACES	± .025 ± ---	1 PLACE	± --- ± ---	0 PLACE	± ±	DIMENSION STYLE IN/MM DRAWN BY: MARANTO DATE: 98/01/21 CHECKED BY: ROBERTS DATE: 98/01/21 APPROVED BY: ROBERTS DATE: 98/01/21	SCALE: 2:1 DESIGN UNITS: INCH THIRD ANGLE PROJECTION	CATEGORY 5 MODULAR JACK ASSEMBLIES, GANGED 	SHEET NO. 2 OF 3
			DIMENSION STYLE																	
			IN/MM																	
			4 PLACES	± --- ± ---																
3 PLACES	± --- ± .010																			
2 PLACES	± .025 ± ---																			
1 PLACE	± --- ± ---																			
0 PLACE	± ±																			
ANGULAR ±1/2° DRAFT WHERE APPLICABLE MUST REMAIN WITHIN DIMENSIONS	MATERIAL NO. SEE CHART DOCUMENT NO. SD-44150-002																			
SIZE C	THIS DRAWING CONTAINS INFORMATION THAT IS PROPRIETARY TO MOLEX INCORPORATED AND SHOULD NOT BE USED WITHOUT WRITTEN PERMISSION																			



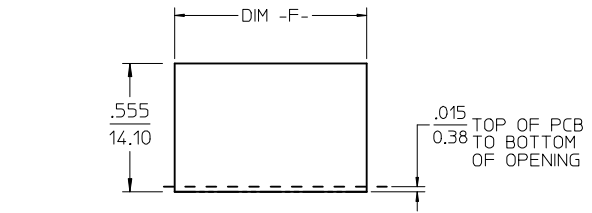
TYPICAL PC TERMINAL HOLE LAYOUT



PCB LAYOUT : COMPONENT SIDE
RECOMMENDED PCB THICKNESS : .062/1.57

- NOTES:
1. DIMENSIONS REFER TO SHIELDED ASSEMBLIES ONLY
 2. SHIELD PCB GROUND TAB HOLES SPECIFIED NOT PRESENT FOR 441500033 USAGE

NUMBER OF PORTS	DIM -E-	DIM -F-
2	1.000/25.40	1.255/31.88
4	2.100/53.34	2.355/59.82
6	3.200/81.28	3.455/87.86
8	4.300/109.22	4.555/115.70



SUGGESTED PANEL OPENING
SHIELDED VERSIONS

SEE SHEET 1 EC NO: UCP2014-5068 DRW: NGUYEN 2014/06/03 CHKD: BELL 2014/06/03 APPR: F. SMITH 2014/09/04	QUALITY SYMBOLS 	GENERAL TOLERANCES (UNLESS SPECIFIED)		DIMENSION STYLE IN/MM		SCALE	DESIGN UNITS INCH	THIRD ANGLE PROJECTION	
		4 PLACES ± --- ± ---	3 PLACES ± --- ± .010	DRAWN BY MARANTO	DATE 98/01/21	TITLE CATEGORY 5 MODULAR JACK ASSEMBLIES, GANGED			
		2 PLACES ± .025 ± ---	1 PLACE ± --- ± ---	CHECKED BY ROBERTS	DATE 98/01/21	APPROVED BY ROBERTS			
		0 PLACE ± ±	ANGULAR ±1/2°	MATERIAL NO. SEE CHART		DOCUMENT NO. SD-44150-002	SHEET NO. 3 OF 3		
DRAFT WHERE APPLICABLE MUST REMAIN WITHIN DIMENSIONS		THIS DRAWING CONTAINS INFORMATION THAT IS PROPRIETARY TO MOLEX INCORPORATED AND SHOULD NOT BE USED WITHOUT WRITTEN PERMISSION		molex					