



Chipsmall Limited consists of a professional team with an average of over 10 year of expertise in the distribution of electronic components. Based in Hongkong, we have already established firm and mutual-benefit business relationships with customers from,Europe,America and south Asia,supplying obsolete and hard-to-find components to meet their specific needs.

With the principle of “Quality Parts,Customers Priority,Honest Operation,and Considerate Service”,our business mainly focus on the distribution of electronic components. Line cards we deal with include Microchip,ALPS,ROHM,Xilinx,Pulse,ON,Everlight and Freescale. Main products comprise IC,Modules,Potentiometer,IC Socket,Relay,Connector.Our parts cover such applications as commercial,industrial, and automotives areas.

We are looking forward to setting up business relationship with you and hope to provide you with the best service and solution. Let us make a better world for our industry!



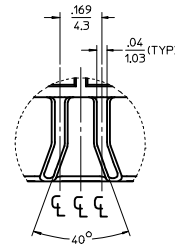
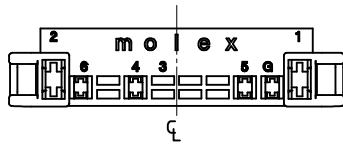
Contact us

Tel: +86-755-8981 8866 Fax: +86-755-8427 6832

Email & Skype: info@chipsmall.com Web: www.chipsmall.com

Address: A1208, Overseas Decoration Building, #122 Zhenhua RD., Futian, Shenzhen, China

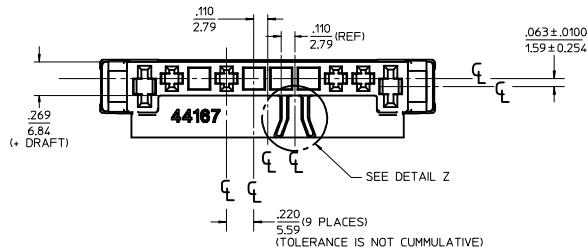
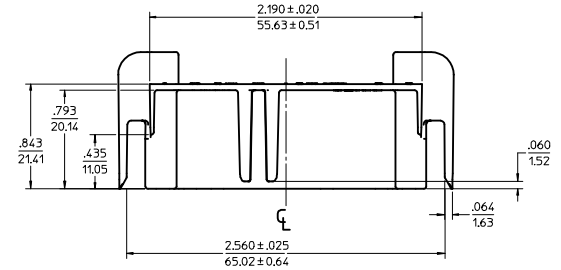
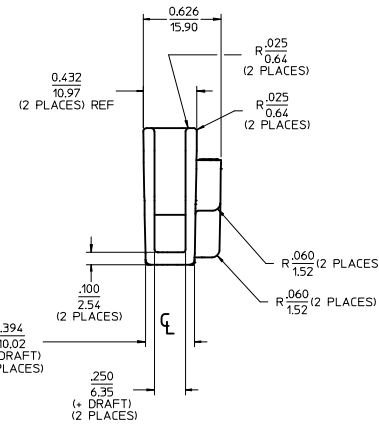
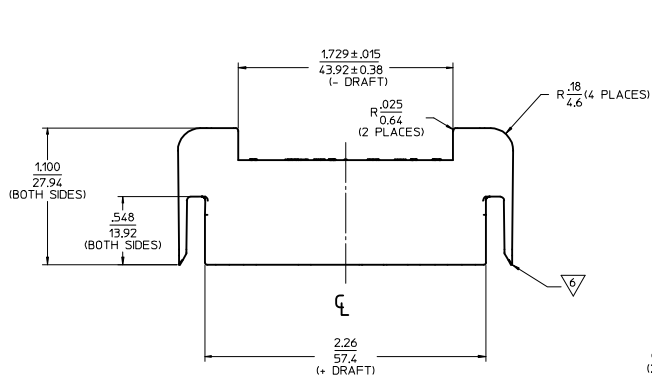




DETAIL Z
SCALE 4:1

NOTES

1. MATERIAL: NYLON, PA66, UL94V-2, COLOR: NATURAL
2. FINISH: NONE
3. PRODUCT SPECIFICATION: PSX-42865-0001, PSX-42865-0002 & PS-43374-001
4. PACKAGING SPECS: HOUSINGS ARE PACKED PER PK-42865-001.
5. THIS CONNECTOR HOUSING FOR USE WITH TERMINALS:
-.125/3.18 SPADE: 1508-* & 43374-***1 (4-PL MAX)
-.250/6.35 SPADE: 41422-3***5** (2-PL MAX)
6. THE OUTSIDE EDGES ASSOCIATED WITH THIS SURFACE TO HAVE .02/0.51 RADII.
7. PART CONFORMS TO CLASS B REQUIREMENTS OF COSMETIC SPEC PS-45499-002.



ADD NYLON & COLOR, NOTE #1 E8	QUALITY SYMBOLS -0 -0	GENERAL TOLERANCES (UNLESS SPECIFIED)		SCALE 1:1	DESIGN UNITS INCH	THIRD ANGLE PROJECTION	REVISE ON CAD ONLY	
				DIMENSION STYLE IN/MM		TITLE		
		4 PLACES ± --- ± ---		DRAWN BY TGREGORI		DATE 2003/03/27		HOUSING CONNECTOR 6 CKT., TOOL REM. LATCH DRYER MOTOR APPLICATION
		3 PLACES ± --- ± 0.010		CHECKED BY BWIRKUS		DATE 2003/03/27		
2 PLACES ± 0.25 ± 0.014		APPROVED BY BWIRKUS		DATE 2003/03/27		MATERIAL NO. 441670001	DOCUMENT NO. SD-44167-001	
1 PLACE ± 0.35 ± ---		ANGULAR ± 1/2°		SHEET NO. 1 OF 1				
DRAFT WHERE APPLICABLE MUST REMAIN WITHIN DIMENSIONS		THIS DRAWING CONTAINS INFORMATION THAT IS PROPRIETARY TO MOLEX INCORPORATED AND SHOULD NOT BE USED WITHOUT WRITTEN PERMISSION						