



Chipsmall Limited consists of a professional team with an average of over 10 year of expertise in the distribution of electronic components. Based in Hongkong, we have already established firm and mutual-benefit business relationships with customers from,Europe,America and south Asia,supplying obsolete and hard-to-find components to meet their specific needs.

With the principle of “Quality Parts,Customers Priority,Honest Operation,and Considerate Service”,our business mainly focus on the distribution of electronic components. Line cards we deal with include Microchip,ALPS,ROHM,Xilinx,Pulse,ON,Everlight and Freescale. Main products comprise IC,Modules,Potentiometer,IC Socket,Relay,Connector.Our parts cover such applications as commercial,industrial, and automotives areas.

We are looking forward to setting up business relationship with you and hope to provide you with the best service and solution. Let us make a better world for our industry!



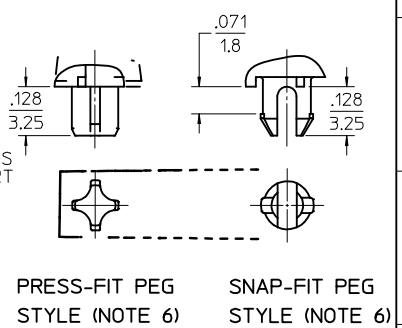
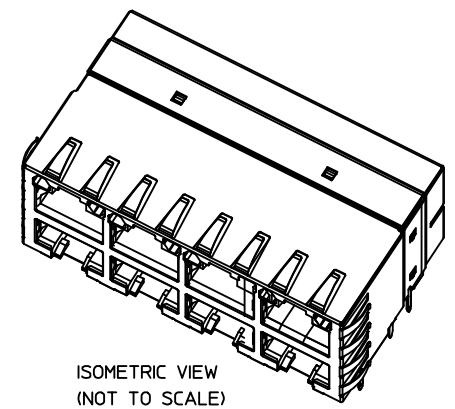
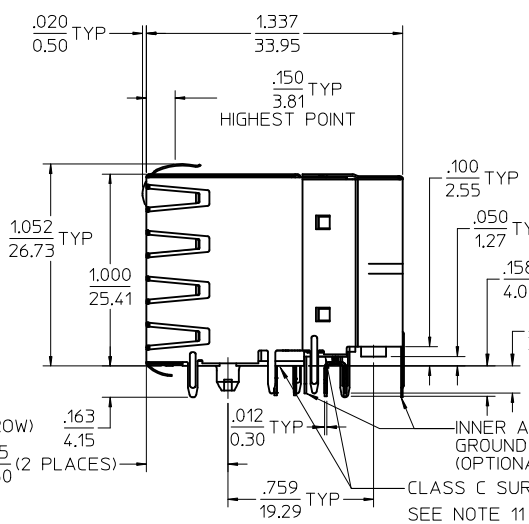
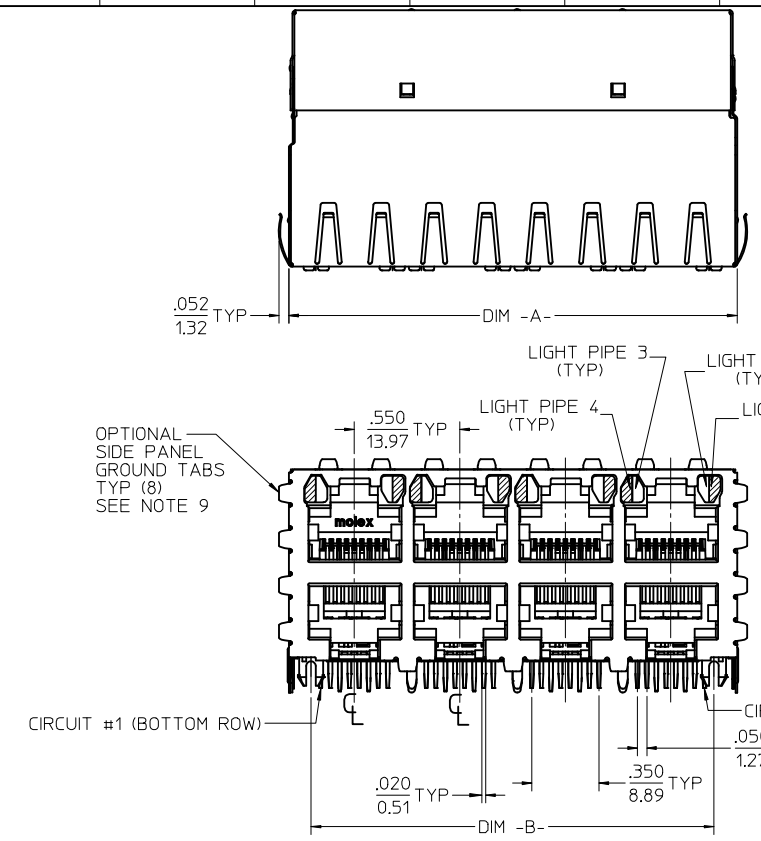
Contact us

Tel: +86-755-8981 8866 Fax: +86-755-8427 6832

Email & Skype: info@chipsmall.com Web: www.chipsmall.com

Address: A1208, Overseas Decoration Building, #122 Zhenhua RD., Futian, Shenzhen, China



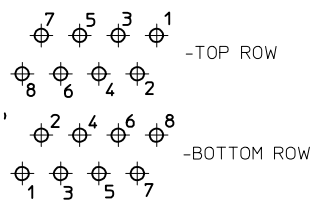


- NOTES:
- MATERIAL: HOUSING: POLYESTER(PBT), GLASS FILLED, UL94V-0, COLOR: BLACK; LIGHT PIPES: POLYCARBONATE, UL-94HB, COLOR: CLEAR; TERMINALS: PHOSPHOR BRONZE; SHIELD: BRASS.
 - FINISH: TERMINALS: SELECT GOLD IN CONTACT AREA: 50 MICRONS / 1.27 MICROMETERS MIN., SELECT TIN IN PC TAIL AREA: 100 MICRONS / 2.54 MICROMETERS MIN., WITH OVERALL NICKEL UNDERPLATE: 50 MICRONS / 1.27 MICROMETERS MIN. SHIELD: 100 MICRONS / 2.54 MICROMETERS NICKEL OVER 50 MICRONS / 1.27 MICROMETERS COPPER UNDERPLATE PCB GROUND TABS DIPPED IN TIN.
 - PRODUCT SPECIFICATION: PS-44050-003.
 - PACKAGING SPECIFICATION: CONNECTOR PACKAGED IN THERMOFORMED TRAYS PER PK-44170-003.
 - APPLICATION SPECIFICATION: AS-43860-001
 - CONNECTORS AVAILABLE WITH EITHER SNAP-FIT OR PRESS-FIT PEGS.
 - CONFORMS TO FCC REGULATION PART 68.5 FOR MODULAR JACKS.
 - PCB LAYOUT AND PANEL CUT-OUT SHOWN ON SHEET (2) OF (2).
 - AVAILABLE WITH THE (8) PANEL GROUND TABS REMOVED ON EACH SIDE FOR SIDE TO SIDE STACKABILITY.
 - TERMINAL LENGTHS MAY BE DIFFERENT FROM TERMINAL TO TERMINAL.
 - THIS PART CONFORMS TO CLASS B REQUIREMENTS OF COSMETIC SPECIFICATION PS-45499-002 WITH THE EXCEPTION OF THE SURFACE INDICATED WHICH IS A CLASS C SURFACE.

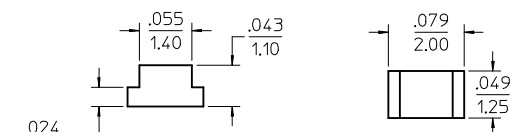
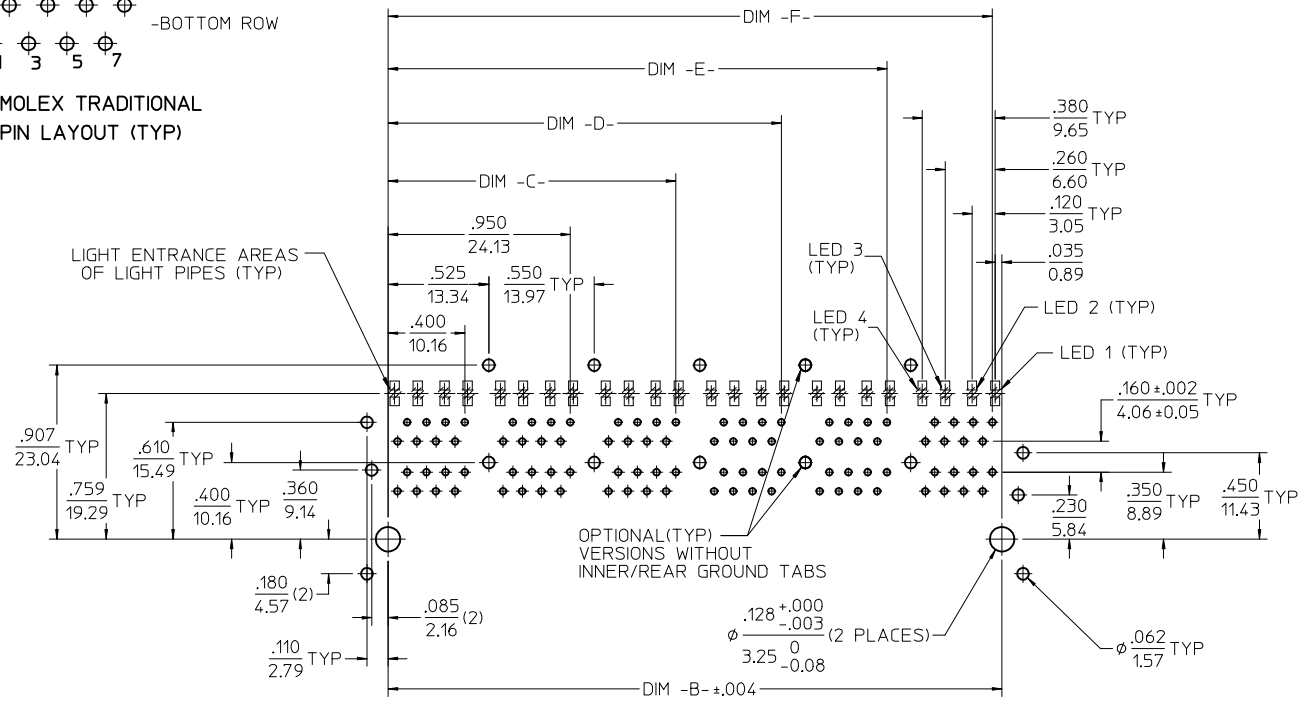
ASSEMBLY MATERIAL NUMBER	NUMBER OF PORTS	PEG STYLE	DIM -A-	DIM -B-	SIDE PANEL GROUND TABS	INNER/REAR GROUND TABS
X 44170-0001	8 (2 X 4)	SNAP-FIT	2.330/59.18	2.100/53.34	YES	YES
X 44170-2001	8 (2 X 4)	SNAP-FIT	2.330/59.18	2.100/53.34	NO	YES
X 44170-3001	8 (2 X 4)	SNAP-FIT	2.330/59.18	2.100/53.34	YES	NO
X 44170-4001	8 (2 X 4)	SNAP-FIT	2.330/59.18	2.100/53.34	NO	NO
X 44170-0004	8 (2 X 4)	PRESS-FIT	2.330/59.18	2.100/53.34	YES	YES
X 44170-2004	8 (2 X 4)	PRESS-FIT	2.330/59.18	2.100/53.34	NO	YES
X 44170-3004	8 (2 X 4)	PRESS-FIT	2.330/59.18	2.100/53.34	YES	NO
X 44170-4004	8 (2 X 4)	PRESS-FIT	2.330/59.18	2.100/53.34	NO	NO
44170-0002	12 (2 X 6)	SNAP-FIT	3.430/87.12	3.200/81.28	YES	YES
X 44170-2002	12 (2 X 6)	SNAP-FIT	3.430/87.12	3.200/81.28	NO	YES
X 44170-3002	12 (2 X 6)	SNAP-FIT	3.430/87.12	3.200/81.28	YES	NO
X 44170-4002	12 (2 X 6)	SNAP-FIT	3.430/87.12	3.200/81.28	NO	NO
44170-0005	12 (2 X 6)	PRESS-FIT	3.430/87.12	3.200/81.28	YES	YES
X 44170-2005	12 (2 X 6)	PRESS-FIT	3.430/87.12	3.200/81.28	NO	YES
X 44170-3005	12 (2 X 6)	PRESS-FIT	3.430/87.12	3.200/81.28	YES	NO
X 44170-4005	12 (2 X 6)	PRESS-FIT	3.430/87.12	3.200/81.28	NO	NO

X = NOT TOOLED

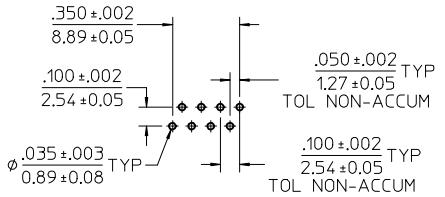
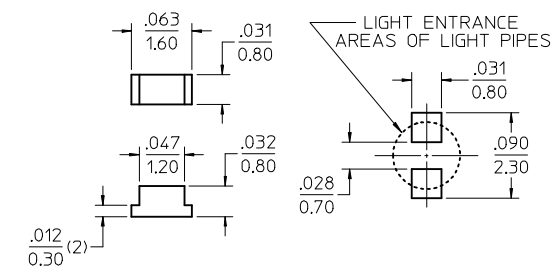
OBSOLETE PN IEC NO: UCP2017-0798 DRW:AFENG02 2016/10/12 CHKD: APPR:KLANG 2016/10/17 REV:	QUALITY SYMBOLS	GENERAL TOLERANCES (UNLESS SPECIFIED)	DIMENSION STYLE IN/MM	SCALE 2:1	DESIGN UNITS INCH	THIRD ANGLE PROJECTION
	▽=0	mm INCH	DRAWN BY MARGULIS DATE 98/11/16	TITLE	STACKED MODULAR JACK WITH LIGHT PIPES CAT 5	
	▽=0	4 PLACES ± --- ± ---	CHECKED BY ROBERTS DATE 98/11/16	molex DOCUMENT NO. SD-44170-001 SHEET NO. 1 OF 2		
	▽=0	3 PLACES ± --- ± .010	APPROVED BY ROBERTS DATE 98/11/16			
F2	DRAFT WHERE APPLICABLE MUST REMAIN WITHIN DIMENSIONS ANGULAR ±1/2° SEE CHART THIS DRAWING CONTAINS INFORMATION THAT IS PROPRIETARY TO MOLEX INCORPORATED AND SHOULD NOT BE USED WITHOUT WRITTEN PERMISSION					



**MOLEX TRADITIONAL
PIN LAYOUT (TYP)**



**RECOMMENDED SMT
0805 LED DIMENSIONS**

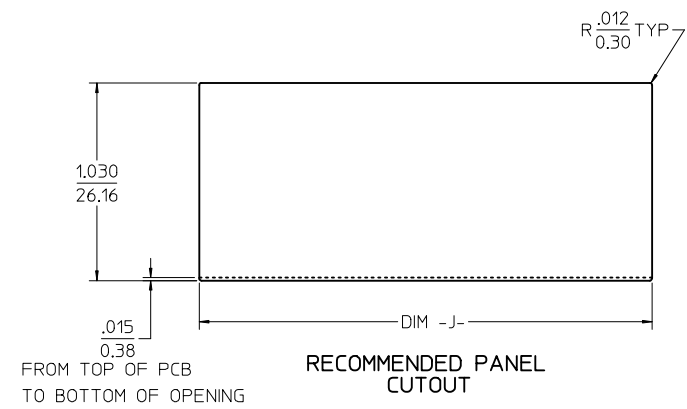


**PC BOARD LAYOUT: COMPONENT SIDE
RECOMMENDED PCB THICKNESS: .062/1.57
(12 PORT VERSION SHOWN)**

ALL DIMENSIONS ARE ±.003/±.08
UNLESS SPECIFIED OTHERWISE

NOTES:

1. SEE MOLEX WEB SITE FOR CROSS REFERENCE OF RECOMMENDED LED'S.



NUMBER OF PORTS	DIM -B-	DIM -C-	DIM -D-	DIM -E-	DIM -F-	DIM -J-
8 (2 X 4)	2.100/53.34	1.500/38.10	2.050/52.07			2.360/59.94
12 (2 X 6)	3.200/81.28	1.500/38.10	2.050/52.07	2.600/66.04	3.150/80.01	3.460/87.88

SEE SHEET 1 IEC NO: UCP2017-0798 DRW: WAFENG02 2016/10/17 CHKD: APPR: KLANG 2016/10/17 REV: F2	QUALITY SYMBOLS ∇=0 ∇=0 ∇=0	GENERAL TOLERANCES (UNLESS SPECIFIED) mm INCH 4 PLACES ± --- ± --- 3 PLACES ± --- ± .010 2 PLACES ± 0.25 ± --- 1 PLACE ± --- ± --- 0 PLACE ± ±	DIMENSION STYLE IN/MM DRAWN BY MARGULIS DATE 98/11/16 CHECKED BY ROBERTS DATE 98/11/16 APPROVED BY ROBERTS DATE 98/11/16	SCALE 2:1 DESIGN UNITS INCH THIRD ANGLE PROJECTION	STACKED MODULAR JACK WITH LIGHT PIPES CAT 5 molex DOCUMENT NO. SD-44170-001 SHEET NO. 2 OF 2
	ANGULAR ±1/2° DRAFT WHERE APPLICABLE MUST REMAIN WITHIN DIMENSIONS		MATERIAL NO. SEE CHART SIZE C	THIS DRAWING CONTAINS INFORMATION THAT IS PROPRIETARY TO MOLEX INCORPORATED AND SHOULD NOT BE USED WITHOUT WRITTEN PERMISSION	