



Chipsmall Limited consists of a professional team with an average of over 10 year of expertise in the distribution of electronic components. Based in Hongkong, we have already established firm and mutual-benefit business relationships with customers from,Europe,America and south Asia,supplying obsolete and hard-to-find components to meet their specific needs.

With the principle of “Quality Parts,Customers Priority,Honest Operation,and Considerate Service”,our business mainly focus on the distribution of electronic components. Line cards we deal with include Microchip,ALPS,ROHM,Xilinx,Pulse,ON,Everlight and Freescale. Main products comprise IC,Modules,Potentiometer,IC Socket,Relay,Connector.Our parts cover such applications as commercial,industrial, and automotives areas.

We are looking forward to setting up business relationship with you and hope to provide you with the best service and solution. Let us make a better world for our industry!



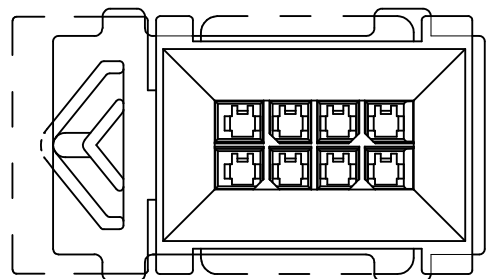
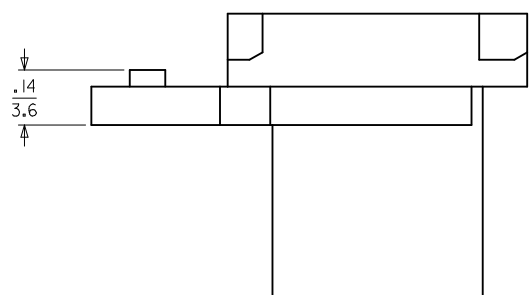
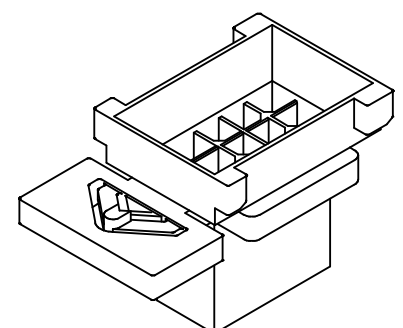
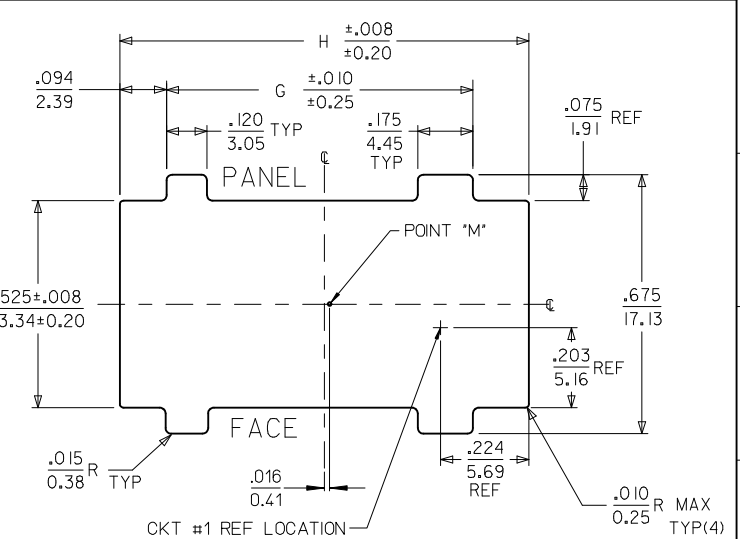
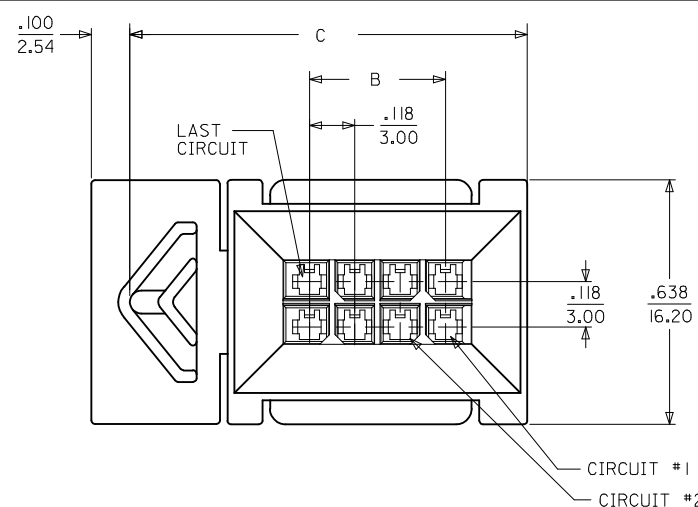
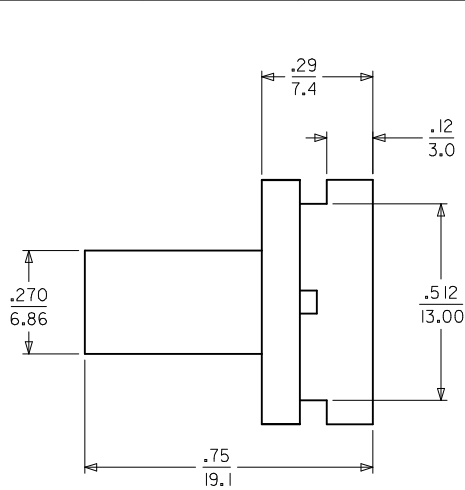
Contact us

Tel: +86-755-8981 8866 Fax: +86-755-8427 6832

Email & Skype: info@chipsmall.com Web: www.chipsmall.com

Address: A1208, Overseas Decoration Building, #122 Zhenhua RD., Futian, Shenzhen, China





PLUG SHOWN MOUNTED IN PANEL

- NOTES:
- MATERIAL:
UNFILLED POLYESTER (PBT), UL94V-0,
COLOR: BLACK
 - FINISH: N/A
 - PRODUCT SPECIFICATION: PS-44300-001
 - PACKAGING SPECIFICATION:
BP - BULK PACKED PER PK-44300-001
TP - TRAY PACKED PER PK-44300-002
 - THIS PLUG MATES WITH MOLEX BMI RECEPTACLE 44133.
(MOLEX DRAWING SD-44133-001)
 - THIS PLUG TO BE USED WITH MOLEX MALE CRIMP
TERMINALS ONLY. (MOLEX DRAWING SD-43031-****)
 - THIS PLUG IS DESIGNED FOR USE WITH .062/1.57 MAX. TO .050/1.27 MINIMUM THICK PANELS.
 - WHEN MATING WITH 44133 SERIES, POINT *M* MUST ALIGN WITH THE PANEL CUT-OUT CENTERLINES
DEFINED BY MOLEX DRAWING SD-44133-001.
 - HOUSING MAY EXHIBIT A SURFACE IMPERFECTION KNOWN AS 'SINK MARKS' UP TO .024/0.60 MAX.
THIS IS COSMETIC DEFECT AND DOES NOT EFFECT FUNCTION OF THE CONNECTOR.

CKT SIZE	MATERIAL NUMBER	DIM "B"	DIM "C"	DIM "G"	DIM "H"	PACKAGING (SEE NOTE 4)	
4	44300-0400	.118 3.00	.80 20.3	.585 14.85	.821 20.85	BP	
6	44300-0600	.236 6.00	.92 23.3	.703 17.85	.939 23.85		
8	44300-0800	.354 9.00	1.04 26.3	.821 20.85	1.057 26.85		
10	44300-1000	.472 12.00	1.16 29.3	.939 23.85	1.175 29.85		
12	44300-1200	.591 15.00	1.28 32.3	1.057 26.85	1.293 32.85		
14	44300-1400	.709 18.00	1.39 35.3	1.175 29.85	1.411 35.85		
16	44300-1600	.827 21.00	1.51 38.3	1.293 32.85	1.530 38.85		
18	44300-1800	.945 24.00	1.63 41.3	1.411 35.85	1.648 41.85		
20	44300-2000	1.063 27.00	1.75 44.3	1.530 38.85	1.766 44.85		
22	44300-2200	1.181 30.00	1.87 47.3	1.648 41.85	1.884 47.85		
24	44300-2400	1.299 33.00	1.98 50.3	1.766 44.85	2.002 50.85		TP

REVISE 14 CKT PKG EC NO: UCP2013-0323 DRAWN: MSTR0H 2012/07/24 CHKD: SSOUSEK 2012/07/27 APPR: FSMITH 2012/10/01	QUALITY SYMBOLS ▽=0 ▽=0 ▽=0	GENERAL TOLERANCES (UNLESS SPECIFIED)		DIMENSION STYLE IN/MM		SCALE 4:1	DESIGN UNITS METRIC	THIRD ANGLE PROJECTION																			
		<table border="1"> <tr> <th></th> <th>mm</th> <th>INCH</th> </tr> <tr> <td>4 PLACES ±</td> <td>---</td> <td>---</td> </tr> <tr> <td>3 PLACES ±</td> <td>---</td> <td>±.010</td> </tr> <tr> <td>2 PLACES ±</td> <td>0.25</td> <td>±.014</td> </tr> <tr> <td>1 PLACE ±</td> <td>0.35</td> <td>±---</td> </tr> <tr> <td>0 PLACE ±</td> <td>±</td> <td>±</td> </tr> </table>			mm	INCH	4 PLACES ±	---	---	3 PLACES ±	---	±.010	2 PLACES ±	0.25	±.014	1 PLACE ±	0.35	±---	0 PLACE ±	±	±	DRAWN BY DATE SOMMER 1998/11/25		TITLE MICRO-FIT 3.0 DUAL ROW BMI PANEL MOUNT PLUG		MATERIAL NO. SD-44300-001	
			mm	INCH																							
		4 PLACES ±	---	---																							
3 PLACES ±	---	±.010																									
2 PLACES ±	0.25	±.014																									
1 PLACE ±	0.35	±---																									
0 PLACE ±	±	±																									
DRAFT WHERE APPLICABLE MUST REMAIN WITHIN DIMENSIONS		APPROVED BY DATE EDGLEY 1998/11/25		DOCUMENT NO. SD-44300-001		SHEET NO. 1 OF 1																					
SIZE C		THIS DRAWING CONTAINS INFORMATION THAT IS PROPRIETARY TO MOLEX INCORPORATED AND SHOULD NOT BE USED WITHOUT WRITTEN PERMISSION																									