



Chipsmall Limited consists of a professional team with an average of over 10 year of expertise in the distribution of electronic components. Based in Hongkong, we have already established firm and mutual-benefit business relationships with customers from,Europe,America and south Asia,supplying obsolete and hard-to-find components to meet their specific needs.

With the principle of “Quality Parts,Customers Priority,Honest Operation,and Considerate Service”,our business mainly focus on the distribution of electronic components. Line cards we deal with include Microchip,ALPS,ROHM,Xilinx,Pulse,ON,Everlight and Freescale. Main products comprise IC,Modules,Potentiometer,IC Socket,Relay,Connector.Our parts cover such applications as commercial,industrial, and automotives areas.

We are looking forward to setting up business relationship with you and hope to provide you with the best service and solution. Let us make a better world for our industry!



Contact us

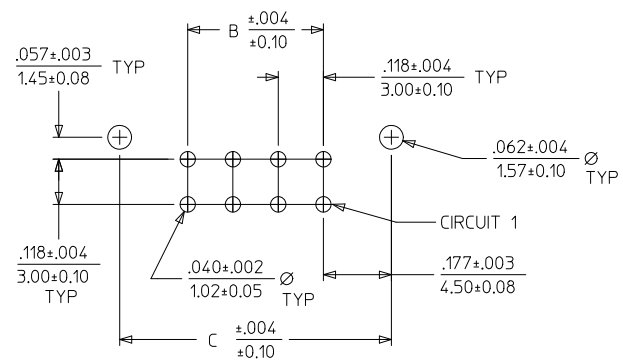
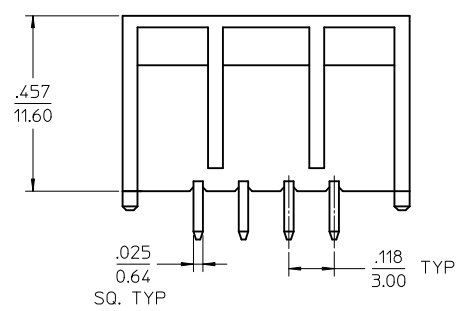
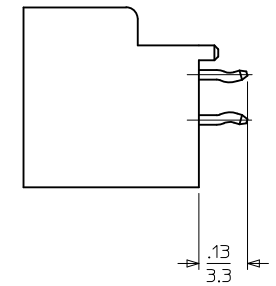
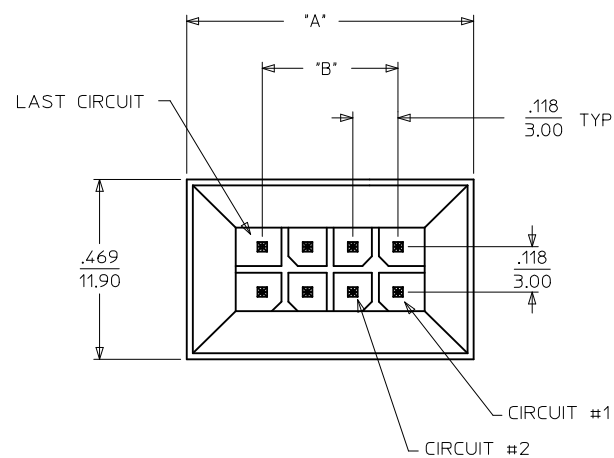
Tel: +86-755-8981 8866 Fax: +86-755-8427 6832

Email & Skype: info@chipsmall.com Web: www.chipsmall.com

Address: A1208, Overseas Decoration Building, #122 Zhenhua RD., Futian, Shenzhen, China



CIRCUIT SIZE	"A"	"B"	C
06	$\frac{.630}{16.00}$	$\frac{.236}{6.00}$	$\frac{.590}{15.00}$
08	$\frac{.748}{19.00}$	$\frac{.354}{9.00}$	$\frac{.709}{18.00}$
10	$\frac{.866}{22.00}$	$\frac{.472}{12.00}$	$\frac{.827}{21.00}$
18	$\frac{1.338}{34.00}$	$\frac{.945}{24.00}$	$\frac{1.299}{33.00}$
24	$\frac{1.693}{43.00}$	$\frac{1.299}{33.00}$	$\frac{1.653}{42.00}$



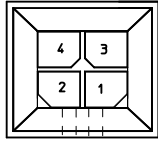
PCB LAYOUT: COMPONENT SIDE
RECOMMENDED PCB THICKNESS .062/1.57

NOTES :

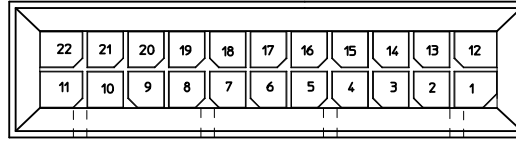
- MATERIALS -
HOUSING : NYLON , GLASS-FILLED, UL94V-0 COLOR - BLACK
TERMINAL : BRASS ALLOY
- FINISH:
A = .000015/(0.00038) MIN. SELECT GOLD IN CONTACT AREA;
.000100/(0.00254) MIN. SELECT TIN ON SOLDER TAILS;
BOTH OVER .000050/(0.00127) MIN. NICKEL.
B = .000030/(0.00076) MIN. SELECT GOLD IN CONTACT AREA;
.000100/(0.00254) MIN. SELECT TIN ON SOLDER TAILS;
BOTH OVER .000050/(0.00127) MIN. NICKEL.
- PRODUCT SPECIFICATION : PS-44300-001
- PACKAGING SPECIFICATION : PK-44432-001
- THIS ASSEMBLY MATES WITH MOLEX BMI PANEL MOUNT RECEPTACLE (SEE DRAWING SD-44133-001) & FEMALE CRIMP TERMINAL (SEE DRAWING SD-43030-****)
- THE PRIMARY SHIPPING CARTON WILL BE LABELED, "COMPLIANT TO RoHS DIRECTIVE 2002/95/EC AND ELV ANNEX II OF DIRECTIVE 2000/53/EC", AND ASSEMBLIES WILL BE COMPLIANT TO THE RoHS AND ELV (LEAD-FREE) DIRECTIVES.
- THIS PART CONFORMS TO CLASS B REQUIREMENTS OF COSMETIC SPECIFICATION PS-45499-002.

CORRECT HOUSING EC NO: UCP2011-2322 DRWINMSTROH 2011/02/04 CHKD:SSOUSEK 2011/02/07 APPR:FSMITH 2011/07/11	DESCRIPTION REV	QUALITY SYMBOLS ▽=0 ▽=0 ▽=0	GENERAL TOLERANCES (UNLESS SPECIFIED)		DIMENSION STYLE IN/MM	SCALE 4:1	DESIGN UNITS METRIC	THIRD ANGLE PROJECTION	
			mm	INCH	DRAWN BY RHOLTS	DATE 2004/07/21	TITLE MICRO FIT (3.0) DUAL ROW VERTICAL BMI HEADER ASSY, LEADFREE		
			4 PLACES ± --- ± ---	3 PLACES ± --- ± .010	CHECKED BY LSCHMIDT	DATE 2004/07/21			
			2 PLACES ± 0.25 ± .015	1 PLACE ± 0.38 ± ---	APPROVED BY FSMITH	DATE 2004/07/21			
DRAFT WHERE APPLICABLE MUST REMAIN WITHIN DIMENSIONS			ANGULAR ±1/2°		MATERIAL NO. SEE CHART	DOCUMENT NO. SD-44432-002	SHEET NO. 1 OF 2		
THIS DRAWING CONTAINS INFORMATION THAT IS PROPRIETARY TO MOLEX INCORPORATED AND SHOULD NOT BE USED WITHOUT WRITTEN PERMISSION									

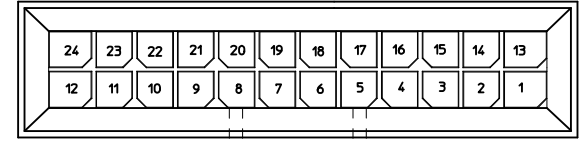
MATERIAL NUMBER	NUMBER OF POSITIONS	PLATING OPTION
44432-0652	06	A
44432-0653	06	B
44432-0853	08	B
44432-1052	10	A
44432-1853	18	B
44432-2453	24	B



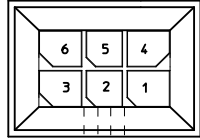
4 CIRCUIT



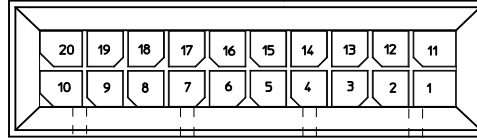
22 CIRCUIT



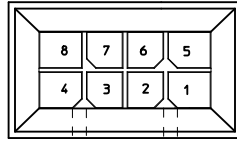
24 CIRCUIT



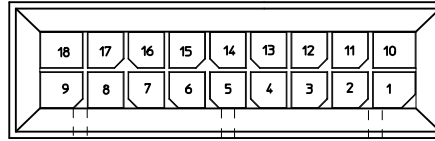
6 CIRCUIT



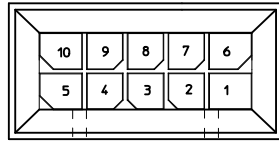
20 CIRCUIT



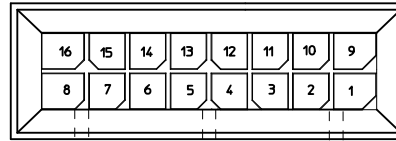
8 CIRCUIT



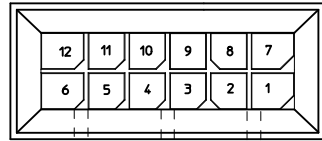
18 CIRCUIT



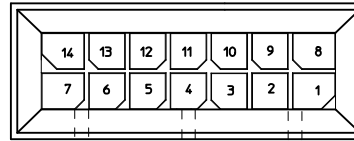
10 CIRCUIT



16 CIRCUIT



12 CIRCUIT



14 CIRCUIT

POLARIZATION LAYOUT
4-24 CIRCUITS

REDRAWN IN AMT EC NO: UCP2011-2322 DRWN: MSTR0H 2011/02/04 CHKD: SSOUSEK 2011/02/07 APPR: FSMITH 2011/07/11	QUALITY SYMBOLS 	GENERAL TOLERANCES (UNLESS SPECIFIED)		DIMENSION STYLE IN/MM	SCALE 4:1	DESIGN UNITS METRIC	THIRD ANGLE PROJECTION
		4 PLACES ± --- ± --- 3 PLACES ± --- ± .010 2 PLACES ± 0.25 ± .015 1 PLACE ± 0.38 ± ---	mm INCH DRAWN BY DATE RHOLTS 2004/07/21 CHECKED BY DATE LSCHMIDT 2004/07/21 APPROVED BY DATE FSMITH 2004/07/21	TITLE MICRO FIT (3.0) DUAL ROW VERTICAL BMI HEADER ASSY, LEADFREE		MOLEX INCORPORATED	SHEET NO. 2 OF 2
		DRAFT WHERE APPLICABLE MUST REMAIN WITHIN DIMENSIONS		SEE CHART SD-44432-002		DOCUMENT NO.	
		THIS DRAWING CONTAINS INFORMATION THAT IS PROPRIETARY TO MOLEX INCORPORATED AND SHOULD NOT BE USED WITHOUT WRITTEN PERMISSION					