



Chipsmall Limited consists of a professional team with an average of over 10 year of expertise in the distribution of electronic components. Based in Hongkong, we have already established firm and mutual-benefit business relationships with customers from,Europe,America and south Asia,supplying obsolete and hard-to-find components to meet their specific needs.

With the principle of "Quality Parts,Customers Priority,Honest Operation,and Considerate Service",our business mainly focus on the distribution of electronic components. Line cards we deal with include Microchip,ALPS,ROHM,Xilinx,Pulse,ON,Everlight and Freescale. Main products comprise IC,Modules,Potentiometer,IC Socket,Relay,Connector.Our parts cover such applications as commercial,industrial, and automotives areas.

We are looking forward to setting up business relationship with you and hope to provide you with the best service and solution. Let us make a better world for our industry!



Contact us

Tel: +86-755-8981 8866 Fax: +86-755-8427 6832

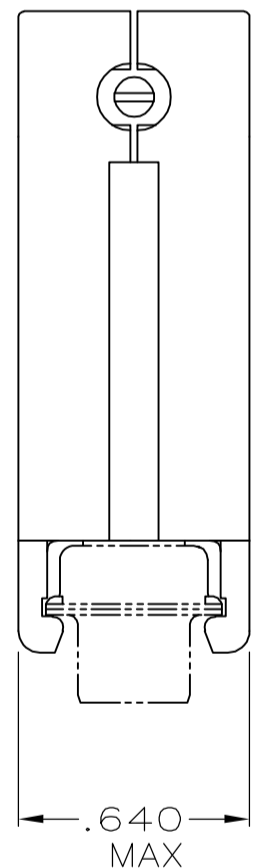
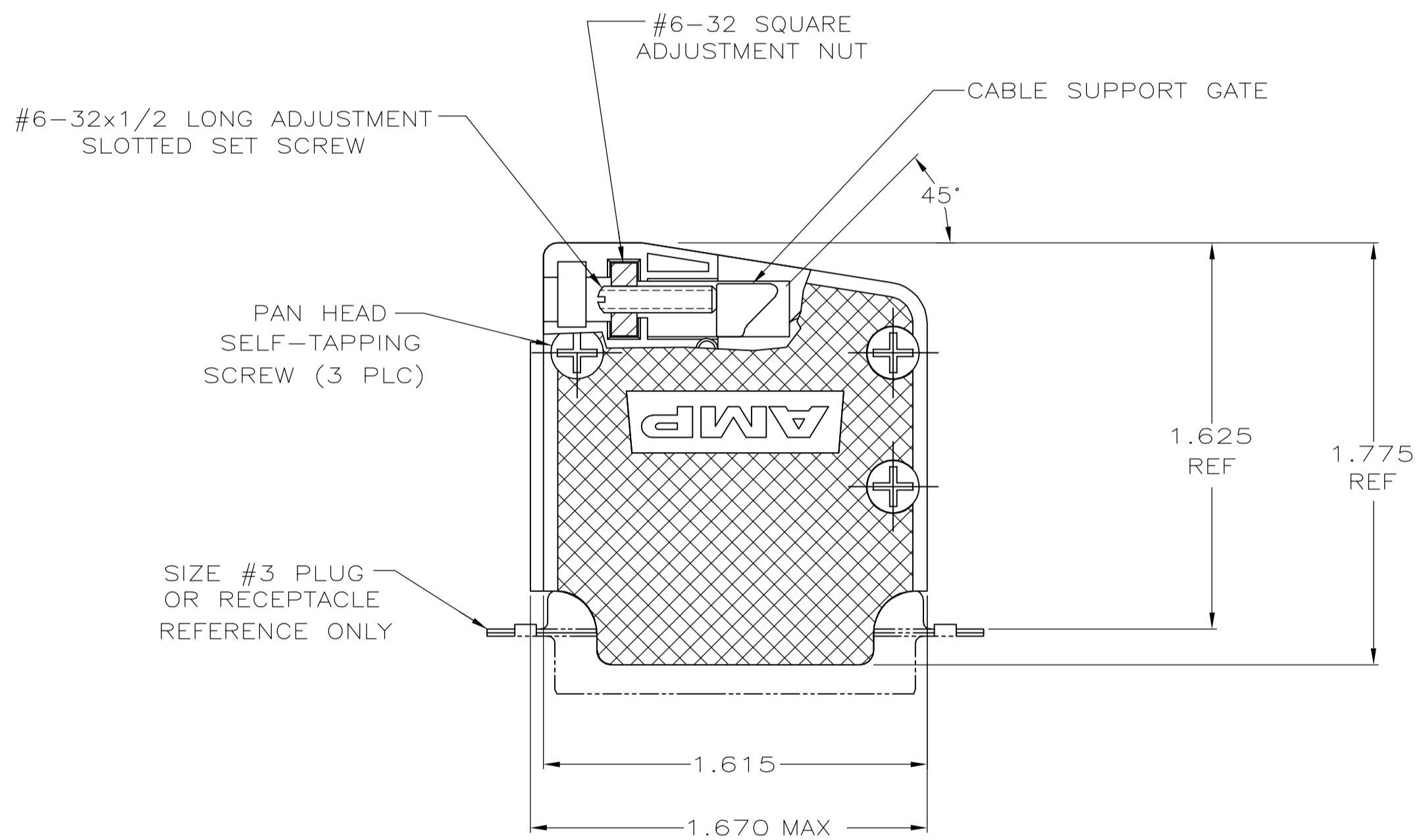
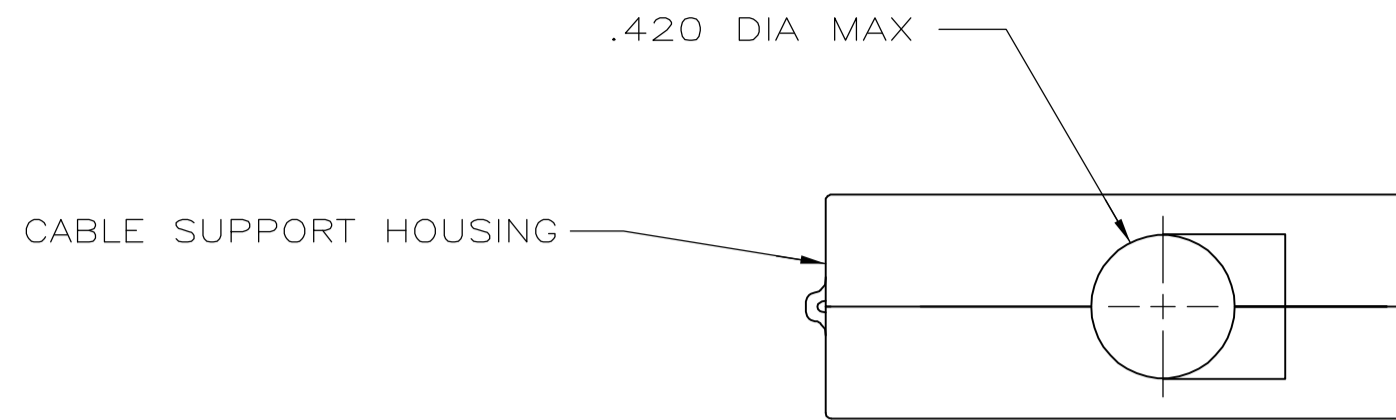
Email & Skype: info@chipsmall.com Web: www.chipsmall.com

Address: A1208, Overseas Decoration Building, #122 Zhenhua RD., Futian, Shenzhen, China



THIS DRAWING IS UNPUBLISHED. RELEASED FOR PUBLICATION
 © COPYRIGHT BY TYCO ELECTRONICS CORPORATION. ALL RIGHTS RESERVED.

LOC	DIST	REVISIONS			
P	LTR	DESCRIPTION	DATE	DWN	APVD
GP	00	0	RELEASED PER EC 0S13-0221-05	22AUG05	RR JG



- ① PARTS PACKAGED UNASSEMBLED AS A UNIT KIT.
- ② PARTS INDIVIDUALLY BULK PACKAGED & SHIPPED AS A UNIT PACKAGE KIT.
- ③ MOLDED PARTS: BLACK POLYPROPYLENE. HARDWARE: COLD ROLLED STEEL.
- ④ HARDWARE: ZINC PLATED CLEAR CHROMATE COATING.

**COPYRIGHT 2005
 TYCO ELECTRONICS CORP
 ALL RIGHTS RESERVED**

②	5205718-4
①	5205718-1
PACKAGING	PART NO

THIS DRAWING IS A CONTROLLED DOCUMENT.		DWN R.RICHARDSON 22AUG05	tyco Tyco Electronics Corporation	
DIMENSIONS: INCHES		CHK C.ROHDE 22AUG05	Harrisburg, Pa 17105-3608	
TOLERANCES UNLESS OTHERWISE SPECIFIED:		APVD M.WALMSLEY 22AUG05	NAME	
0 PLC ± -	1 PLC ± -	PRODUCT SPEC	SELF TAPPED 45°/180° CAB SUPPORT CLAMSHELL, SIZE ASSEMBLY, AMPLIMITE HD-20	
2 PLC ± -	3 PLC ± .005	APPLICATION SPEC	SIZE A2	CAGE CODE 00779
4 PLC ± -	ANGLES ± 0°30"	WEIGHT -	DRAWING NO C=5205718	RESTRICTED TO -
MATERIAL ③	FINISH ④	CUSTOMER DRAWING	SCALE 2:1	SHEET 1 OF 1
				REV 0