



Chipsmall Limited consists of a professional team with an average of over 10 year of expertise in the distribution of electronic components. Based in Hongkong, we have already established firm and mutual-benefit business relationships with customers from,Europe,America and south Asia,supplying obsolete and hard-to-find components to meet their specific needs.

With the principle of “Quality Parts,Customers Priority,Honest Operation,and Considerate Service”,our business mainly focus on the distribution of electronic components. Line cards we deal with include Microchip,ALPS,ROHM,Xilinx,Pulse,ON,Everlight and Freescale. Main products comprise IC,Modules,Potentiometer,IC Socket,Relay,Connector.Our parts cover such applications as commercial,industrial, and automotives areas.

We are looking forward to setting up business relationship with you and hope to provide you with the best service and solution. Let us make a better world for our industry!



Contact us

Tel: +86-755-8981 8866 Fax: +86-755-8427 6832

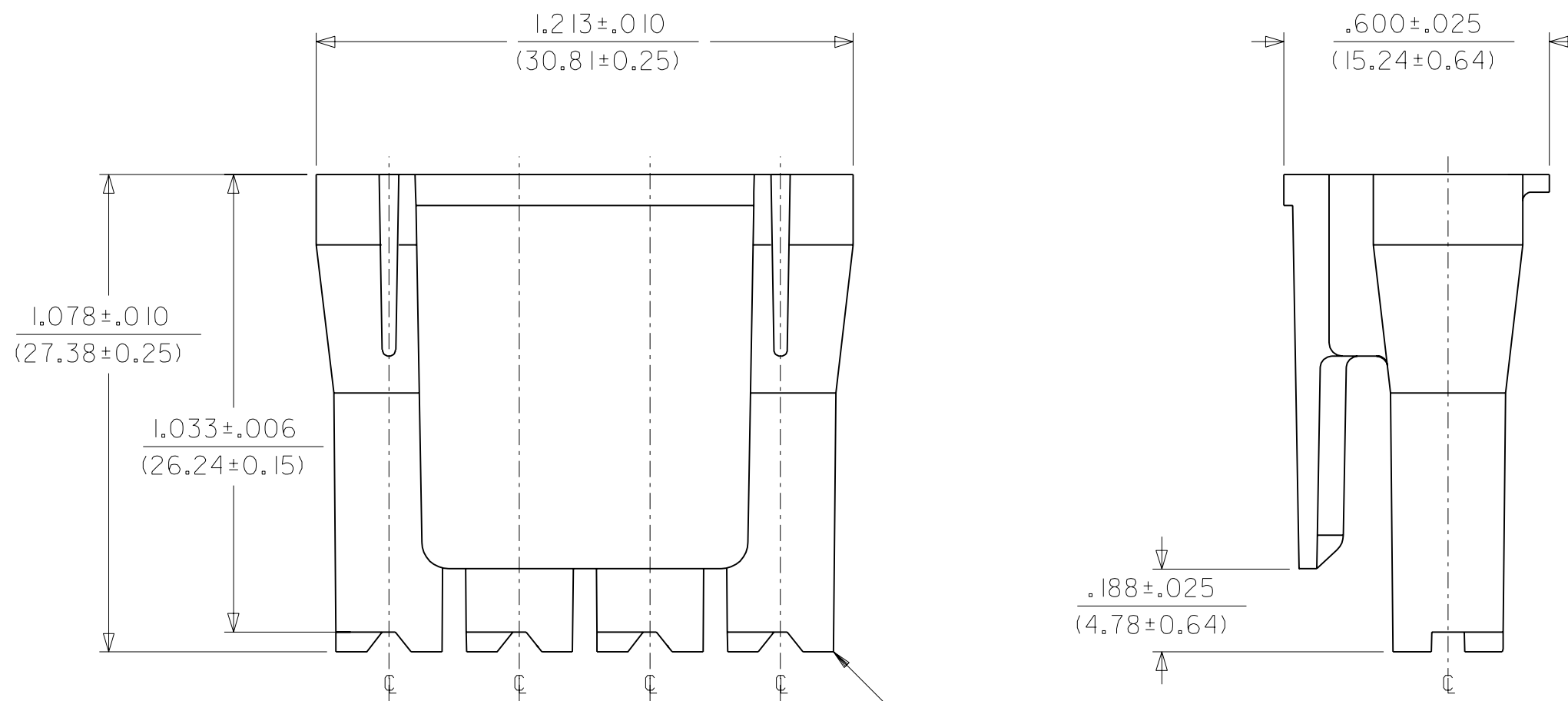
Email & Skype: info@chipsmall.com Web: www.chipsmall.com

Address: A1208, Overseas Decoration Building, #122 Zhenhua RD., Futian, Shenzhen, China

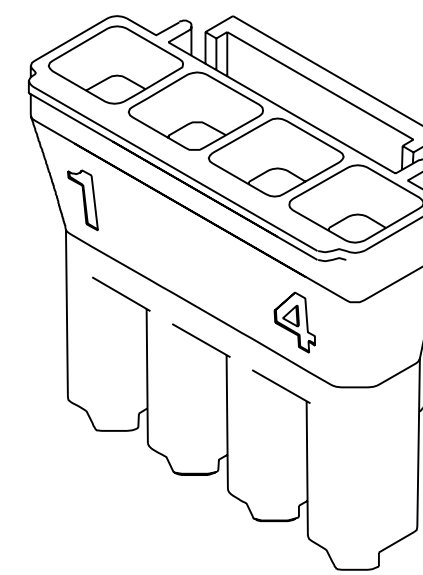
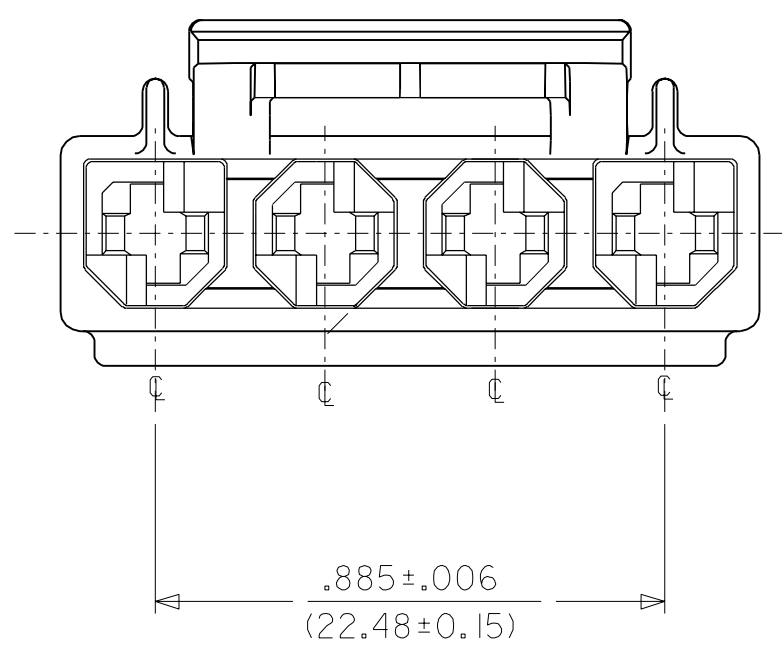


NOTES:

1. MATERIAL: PA66, UL94V-2, COLOR: NATURAL (TRANSLUCENT)
2. THIS CONNECTOR HOUSING FOR USE WITH 43375-**** TERMINALS.
3. THIS CONNECTOR HOUSING WILL MATE TO A-43160-****4, 43180-****4, AND 43680-****4 HOUSINGS.
4. PRODUCT SPECIFICATION: PSX-44441-9999.
5. PACKAGING: PK-44441-001.



CIRCUIT 1



44441-1004
(NO SCALE)

A1	ADD V-2 TO TITLE UCP 2004-2000 BW 9-20-04
A	RELEASED PER UCR2001-0005 ES 00-07-03

MFG.	SH.	REV.	LTR.	REVISIONS
------	-----	------	------	-----------

DIMENSIONS SHOWN (METRIC) INCH	
UNLESS OTHERWISE SPECIFIED TOLERANCES: ANGULAR ± 1/2°	
	INCH METRIC
3 PLACE	± .005 ---
2 PLACE	± .01 ± 0.13
1 PLACE	--- ± 0.25

▽ = 0	▼ = 0	REVISE ONLY ON CAD SYSTEM
TITLE 4-CIR RECEPTACLE HOUSING .125/(3.18) X .020/(0.51) SABRE - TPA; V-2 MAT'L		
MOLEX INCORPORATED LISLE, ILL. 60532 U.S.A.		SHEET NO. DATE 1 OF 1 00/07/03
PART NO. 44441-1004		DRWG. NO. SD-44441-1004

DRWG. BY: ES	CHK'D. BY: RE
APP'D. BY: RE	SCALE: 3:1

FILE NAME	THIS DRAWING CONTAINS INFORMATION THAT IS PROPRIETARY TO MOLEX INC. AND SHOULD NOT BE USED WITHOUT WRITTEN PERMISSION.	DIV. CP	SIZE C
-----------	--	---------	--------