



Chipsmall Limited consists of a professional team with an average of over 10 year of expertise in the distribution of electronic components. Based in Hongkong, we have already established firm and mutual-benefit business relationships with customers from,Europe,America and south Asia,supplying obsolete and hard-to-find components to meet their specific needs.

With the principle of “Quality Parts,Customers Priority,Honest Operation,and Considerate Service”,our business mainly focus on the distribution of electronic components. Line cards we deal with include Microchip,ALPS,ROHM,Xilinx,Pulse,ON,Everlight and Freescale. Main products comprise IC,Modules,Potentiometer,IC Socket,Relay,Connector.Our parts cover such applications as commercial,industrial, and automotives areas.

We are looking forward to setting up business relationship with you and hope to provide you with the best service and solution. Let us make a better world for our industry!



Contact us

Tel: +86-755-8981 8866 Fax: +86-755-8427 6832

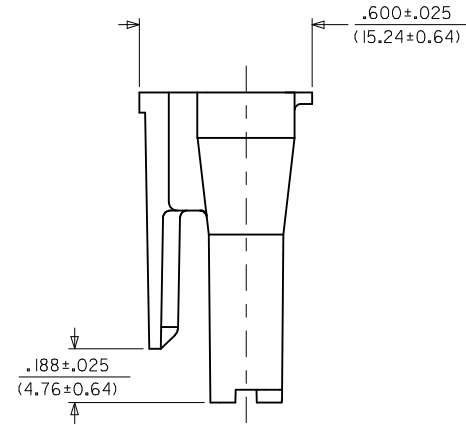
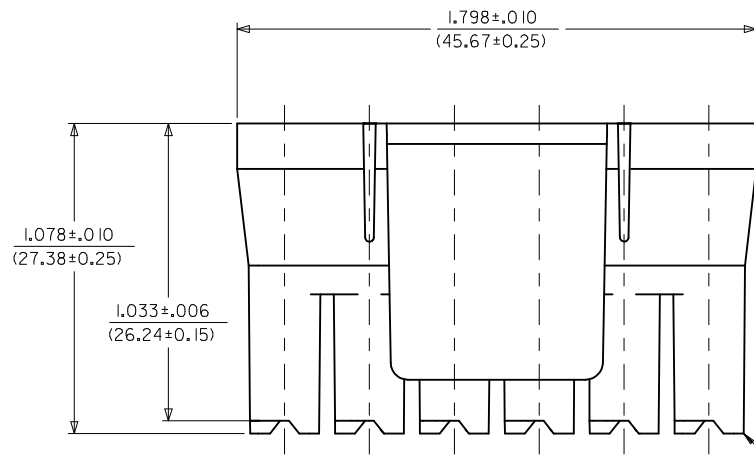
Email & Skype: info@chipsmall.com Web: www.chipsmall.com

Address: A1208, Overseas Decoration Building, #122 Zhenhua RD., Futian, Shenzhen, China

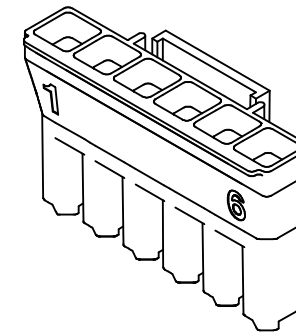
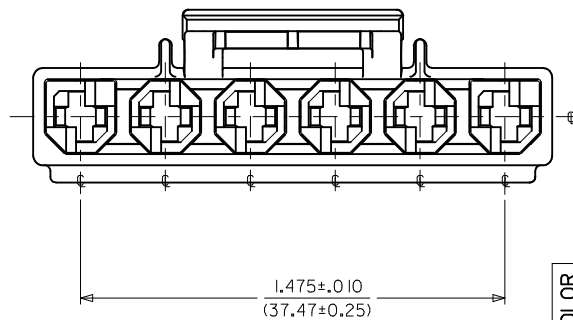


NOTES:

1. MATERIAL: NYLON,UL94V-2,COLOR : BLACK .
2. THIS CONNECTOR HOUSING FOR USE WITH 43375-**** TERMINALS.
3. THIS CONNECTOR HOUSING WILL MATE TO A-43160-*****6, 43180-****6, AND 43680-****6 HOUSINGS.
4. PRODUCT SPECIFICATION: PSX-44441-9999.
5. PACKAGING: PK-44441-001.



CIRCUIT 1



REVISE MAT'L COLOR EC NO: UCP2013-3793 DRW: AELHAG CHKD: J.BELL APPR: F.SMITH	2013/03/21 2013/03/21 2013/04/03	DESCRIPTION REV	QUALITY SYMBOLS ▽=0 ▽=0 ▽=0	GENERAL TOLERANCES (UNLESS SPECIFIED)		DIMENSION STYLE	SCALE	DESIGN UNITS	THIRD ANGLE PROJECTION
				mm	INCH	IN/MM	3:1	INCH	
A2				4 PLACES ± --- ± ---		DRAWN BY	DATE	6-CIR. RECEPT. HOUSING .125/(3.18)X.020/(0.51) SABRE - TPA molex	
				3 PLACES ± --- ±.010		ES	2001/01/31		
				2 PLACES ± 0.25 ±.014		CHECKED BY	DATE	DOCUMENT NO. SD-44441-1006 SHEET NO. 1 OF 1	
				1 PLACE ± 0.35 ± ---		RE	2001/01/31		
				0 PLACE ± ±		APPROVED BY	DATE		
				ANGULAR ±1/2°		MATERIAL NO. 44441-1006			
				DRAFT WHERE APPLICABLE MUST REMAIN WITHIN DIMENSIONS		SIZE C			