



Chipsmall Limited consists of a professional team with an average of over 10 year of expertise in the distribution of electronic components. Based in Hongkong, we have already established firm and mutual-benefit business relationships with customers from,Europe,America and south Asia,supplying obsolete and hard-to-find components to meet their specific needs.

With the principle of “Quality Parts,Customers Priority,Honest Operation,and Considerate Service”,our business mainly focus on the distribution of electronic components. Line cards we deal with include Microchip,ALPS,ROHM,Xilinx,Pulse,ON,Everlight and Freescale. Main products comprise IC,Modules,Potentiometer,IC Socket,Relay,Connector.Our parts cover such applications as commercial,industrial, and automotives areas.

We are looking forward to setting up business relationship with you and hope to provide you with the best service and solution. Let us make a better world for our industry!



Contact us

Tel: +86-755-8981 8866 Fax: +86-755-8427 6832

Email & Skype: info@chipsmall.com Web: www.chipsmall.com

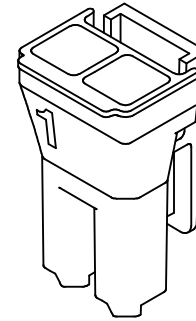
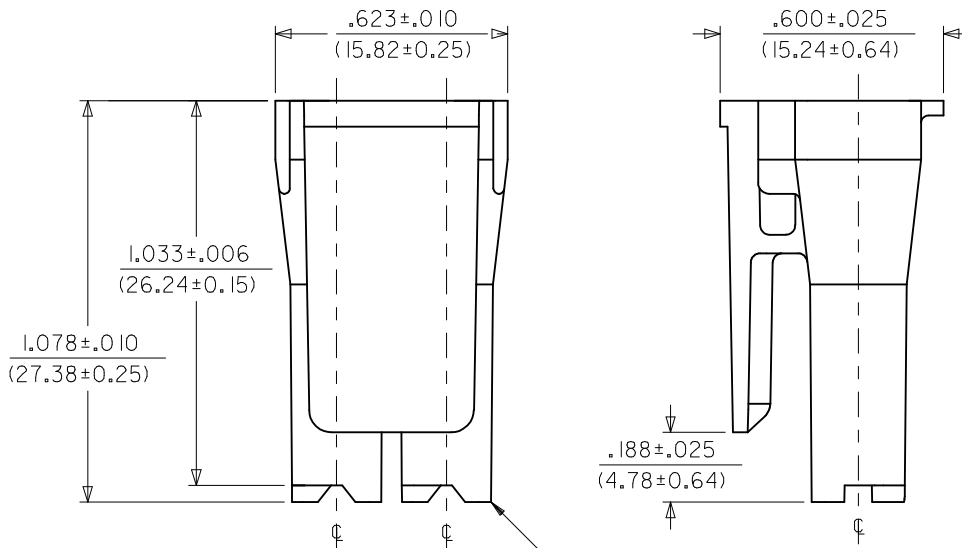
Address: A1208, Overseas Decoration Building, #122 Zhenhua RD., Futian, Shenzhen, China



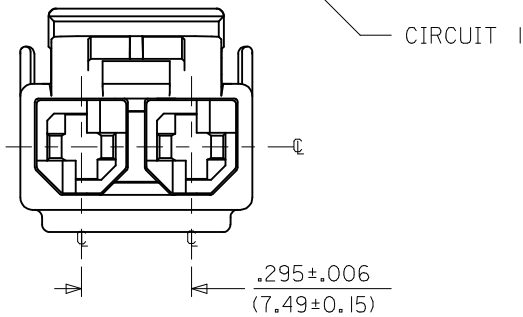
NOTES:

1. MATERIAL: SEE CHART.
2. THIS CONNECTOR HOUSING FOR USE WITH 43375-**** TERMINALS.
3. THIS CONNECTOR HOUSING WILL MATE TO A-43160-****2, 43180-****2, AND 43680-****2 HOUSINGS.
4. PRODUCT SPECIFICATION: PSX-44441-9999.
5. PACKAGING: PK-44441-001.
6. FOR V-0 AND GLOW-WIRE MATERIAL: PARTS CONFORM TO CLASS 'B' REQUIREMENTS OF COSMETIC SPECIFICATION PS-45499-002 BUT, MEETS CLASS 'C' REQUIREMENTS FOR BUBBLES, SINK AND DISCOLORATION.

ITEM NUMBER	MATERIAL	COLOR
44441-2002	UL94V-0 NYLON	BLACK
44441-1002	UL94V-2 NYLON	NATURAL (TRANSLUCENT)
44441-3002	UL94V-2 NYLON, IEC 60335-1 GLOW WIRE CAPABLE	BLACK



44441-*002
(NO SCALE)



<p>NOTE 6 EC NO: UCP2015-3600 DRAWN BY: DRW/AGES 2015/03/04 CHKD: JDFOX APPR: FSMITH 2015/03/26</p>	QUALITY SYMBOLS	GENERAL TOLERANCES (UNLESS SPECIFIED)		DIMENSION STYLE	SCALE	DESIGN UNITS	THIRD ANGLE PROJECTION
	$\nabla F=0$	mm	INCH	IN/MM	1:1	INCH	
	$\nabla E=0$	4 PLACES ± --- ± ---	3 PLACES ± --- ± .010	DRAWN BY DATE	TITLE		
	$\nabla F=0$	2 PLACES ± 0.25 ± .014	1 PLACE ± 0.35 ± ---	MAB 1995/09/18	2-CIR RECEPTACLE HOUSING .125/(3.18) X.020/(0.51) SABRE-TPA		
	ANGULAR ± 1/2°	DRAFT WHERE APPLICABLE MUST REMAIN WITHIN DIMENSIONS		CHECKED BY DATE	DOCUMENT NO.		SHEET NO.
		SEE CHART		KBP 1995/09/18	SD-44441-*002		1 OF 1
		THIS DRAWING CONTAINS INFORMATION THAT IS PROPRIETARY TO MOLEX INCORPORATED AND SHOULD NOT BE USED WITHOUT WRITTEN PERMISSION		APPROVED BY DATE			
				MATERIAL NO.			