



Chipsmall Limited consists of a professional team with an average of over 10 year of expertise in the distribution of electronic components. Based in Hongkong, we have already established firm and mutual-benefit business relationships with customers from,Europe,America and south Asia,supplying obsolete and hard-to-find components to meet their specific needs.

With the principle of “Quality Parts,Customers Priority,Honest Operation,and Considerate Service”,our business mainly focus on the distribution of electronic components. Line cards we deal with include Microchip,ALPS,ROHM,Xilinx,Pulse,ON,Everlight and Freescale. Main products comprise IC,Modules,Potentiometer,IC Socket,Relay,Connector.Our parts cover such applications as commercial,industrial, and automotives areas.

We are looking forward to setting up business relationship with you and hope to provide you with the best service and solution. Let us make a better world for our industry!



Contact us

Tel: +86-755-8981 8866 Fax: +86-755-8427 6832

Email & Skype: info@chipsmall.com Web: www.chipsmall.com

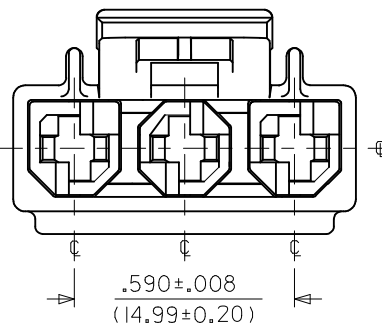
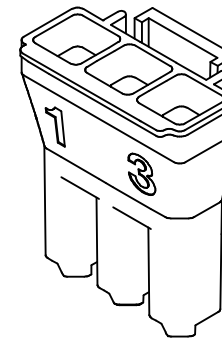
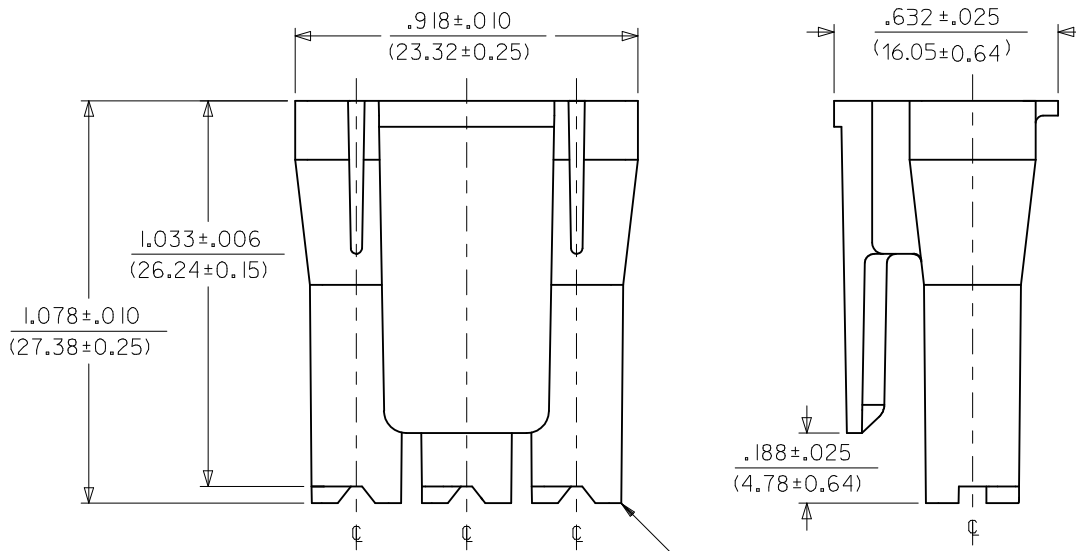
Address: A1208, Overseas Decoration Building, #122 Zhenhua RD., Futian, Shenzhen, China



NOTES:

1. MATERIAL: SEE CHART.
2. THIS CONNECTOR HOUSING FOR USE WITH 43375-**** TERMINALS.
3. THIS CONNECTOR HOUSING WILL MATE TO A-43160-****3, 43180-****3, AND 43680-***3 HOUSINGS.
4. PRODUCT SPECIFICATION: PSX-44441-9999.
5. PACKAGING: PK-44441-001.
6. FOR V-0 AND GLOW-WIRE MATERIAL: PARTS CONFORM TO CLASS 'B' REQUIREMENTS OF COSMETIC SPECIFICATION PS-45499-002 BUT, MEETS CLASS 'C' REQUIREMENTS FOR BUBBLES, SINK AND DISCOLORATION.

ITEM NUMBER	MATERIAL	COLOR
44441-2003	UL94V-0 NYLON	BLACK
44441-1003	UL94V-2 NYLON	NATURAL (TRANSLUCENT)
44441-3003	UL94V-2 NYLON IEC 60335-1 GLOW WIRE CAPABLE	BLACK



NOTE 6
EC NO: UCP2015-3600
DRAWN: 2015/03/06
CHKD: JDFOX
APPR: FSMITH
DESCRIPTION: 2015/03/26

QUALITY SYMBOLS
$\nabla = 0$
$\nabla = 0$
$\nabla = 0$

GENERAL TOLERANCES (UNLESS SPECIFIED)	
mm	INCH
4 PLACES ± ---	± ---
3 PLACES ± ---	± .010
2 PLACES ± 0.25	± .014
1 PLACE ± 0.35	± ---
0 PLACE ±	±
ANGULAR ± 1/2°	

DRAFT WHERE APPLICABLE MUST REMAIN WITHIN DIMENSIONS

DIMENSION STYLE	
IN/MM	
DRAWN BY	DATE
GC	1995/01/06
CHECKED BY	DATE
KBP	1995/01/06
APPROVED BY	DATE
RAS	1995/01/06
MATERIAL NO.	
SEE CHART	

SCALE	DESIGN UNITS	THIRD ANGLE PROJECTION
3:1	INCH	
TITLE		
3-CIR. RECEPT. HOUSING .125 X .020 FLAT BLADE TPA W/THUMB LATCH		
molex		
DOCUMENT NO.	SHEET NO.	
SD-44441-*003	1 OF 1	