



Chipsmall Limited consists of a professional team with an average of over 10 year of expertise in the distribution of electronic components. Based in Hongkong, we have already established firm and mutual-benefit business relationships with customers from,Europe,America and south Asia,supplying obsolete and hard-to-find components to meet their specific needs.

With the principle of “Quality Parts,Customers Priority,Honest Operation,and Considerate Service”,our business mainly focus on the distribution of electronic components. Line cards we deal with include Microchip,ALPS,ROHM,Xilinx,Pulse,ON,Everlight and Freescale. Main products comprise IC,Modules,Potentiometer,IC Socket,Relay,Connector.Our parts cover such applications as commercial,industrial, and automotives areas.

We are looking forward to setting up business relationship with you and hope to provide you with the best service and solution. Let us make a better world for our industry!



Contact us

Tel: +86-755-8981 8866 Fax: +86-755-8427 6832

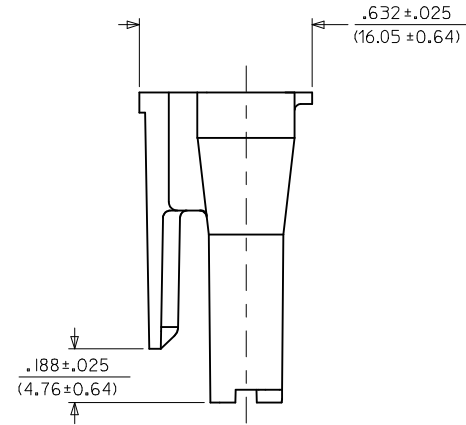
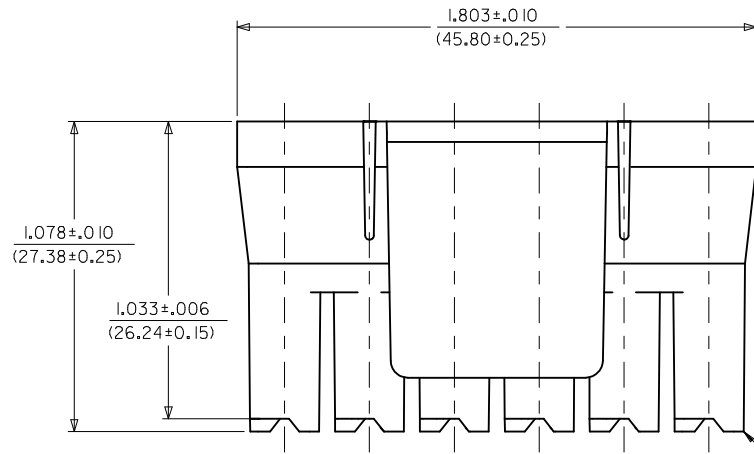
Email & Skype: info@chipsmall.com Web: www.chipsmall.com

Address: A1208, Overseas Decoration Building, #122 Zhenhua RD., Futian, Shenzhen, China

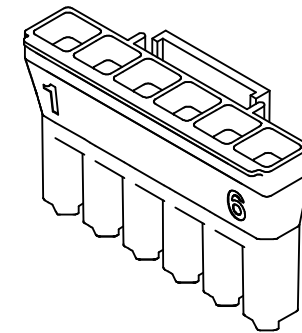
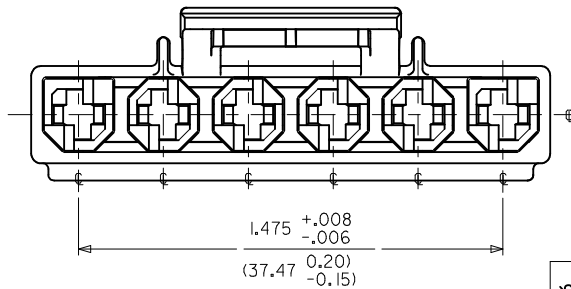


NOTES:

1. MATERIAL: NYLON,UL94V-0,COLOR BLACK.
2. THIS CONNECTOR HOUSING FOR USE WITH 43375-**** TERMINALS.
3. THIS CONNECTOR HOUSING WILL MATE TO A-43160-****6, 43180-****6, AND 43680-***6 HOUSINGS.
4. PRODUCT SPECIFICATION: PSX-4444I-9999.
5. PACKAGING: PK-4444I-001.
6. PART CONFORMS TO CLASS 'B' REQUIREMENTS OF COSMETIC SPECIFICATION PS-45499-002 BUT, MEETS CLASS 'C' REQUIREMENTS FOR BUBBLES, SINK AND DISCOLORATION.



CIRCUIT 1



ADD COSMETIC NOTE 6 EC NO: UCP2012-4200 DRW:NAELHAG 2012/09/06 CHKD:JBELL 2012/09/06 APPR:FSMITH 2012/09/11	QUALITY SYMBOLS	GENERAL TOLERANCES (UNLESS SPECIFIED)		DIMENSION STYLE	SCALE	DESIGN UNITS	THIRD ANGLE PROJECTION
	▽=0	mm	INCH	IN/MM	3:1	INCH	
	▽=0	4 PLACES ± --- ± ---		DRAWN BY DATE	TITLE		
	▽=0	3 PLACES ± --- ±.010		GC 1995/01/09	6-CIR. RECEPT. HOUSING		
	2 PLACES ±0.25 ±.014		CHECKED BY DATE	.125/(3.18)X.020/(0.51)			
	1 PLACE ±0.35 ± ---		KBP 1995/01/09	SABRE - TPA			
	ANGULAR ±1/2°		APPROVED BY DATE	MOLEX INCORPORATED			
			RAS 1995/01/09	MATERIAL NO.	DOCUMENT NO.	SHEET NO.	
				44441-2006	SD-44441-2006	1 OF 1	
				THIS DRAWING CONTAINS INFORMATION THAT IS PROPRIETARY TO MOLEX INCORPORATED AND SHOULD NOT BE USED WITHOUT WRITTEN PERMISSION			