



Chipsmall Limited consists of a professional team with an average of over 10 year of expertise in the distribution of electronic components. Based in Hongkong, we have already established firm and mutual-benefit business relationships with customers from,Europe,America and south Asia,supplying obsolete and hard-to-find components to meet their specific needs.

With the principle of “Quality Parts,Customers Priority,Honest Operation,and Considerate Service”,our business mainly focus on the distribution of electronic components. Line cards we deal with include Microchip,ALPS,ROHM,Xilinx,Pulse,ON,Everlight and Freescale. Main products comprise IC,Modules,Potentiometer,IC Socket,Relay,Connector.Our parts cover such applications as commercial,industrial, and automotives areas.

We are looking forward to setting up business relationship with you and hope to provide you with the best service and solution. Let us make a better world for our industry!



Contact us

Tel: +86-755-8981 8866 Fax: +86-755-8427 6832

Email & Skype: info@chipsmall.com Web: www.chipsmall.com

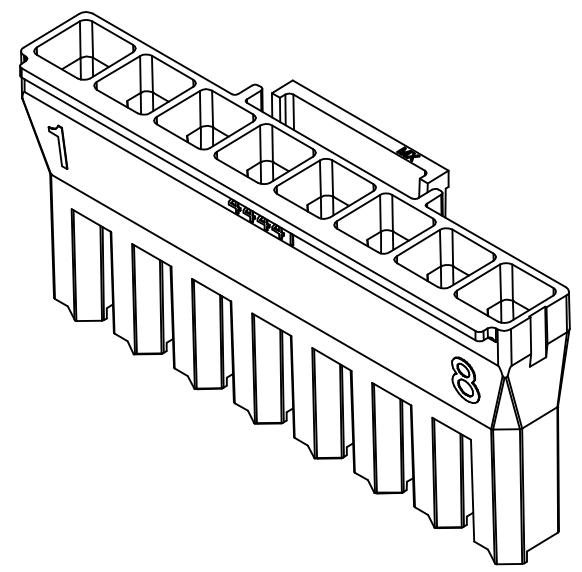
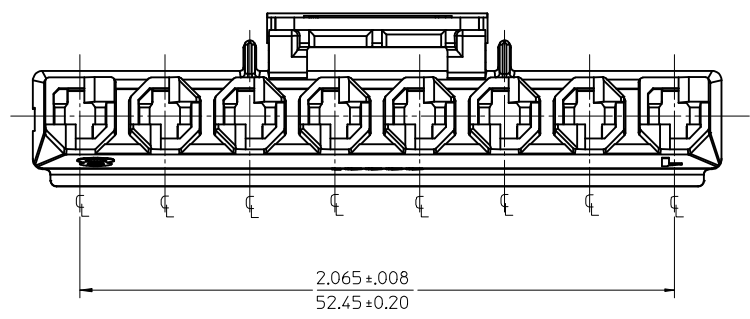
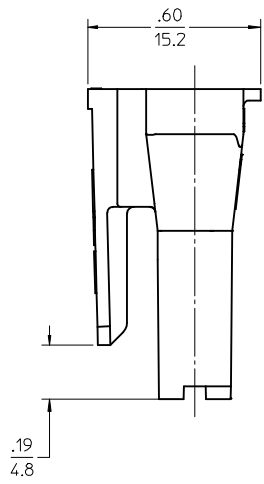
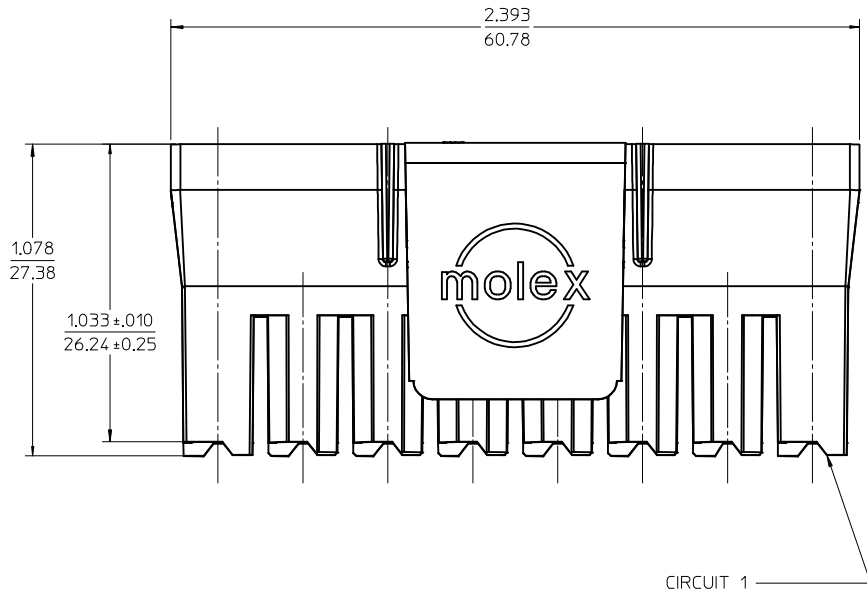
Address: A1208, Overseas Decoration Building, #122 Zhenhua RD., Futian, Shenzhen, China



| ITEM NUMBER | MATERIAL | COLOR |
|-------------|--|-------|
| 44441-2008 | UL94V-0 NYLON | BLACK |
| 44441-3008 | UL94V-2 NYLON, IEC 60335-1 GLOW WIRE CAPABLE | BLACK |

NOTE:

1. MATERIAL: SEE CHART
2. FINISH: NONE
3. PRODUCT SPECIFICATION: PS-44441-9999.
4. PACKAGING: PK-44441-001.
5. THIS CONNECTOR HOUSING FOR USE WITH 43375 SERIES TERMINALS (SEE DRAWINGS SD-43375-0001 AND SD-43375-1001).
6. THIS CONNECTOR MATES TO 8 CIRCUIT VERSIONS OF 43160 SERIES HEADERS (SEE DRAWING SDA-43160-****) AND 46007 SERIES HEADERS (SEE DRAWING SD-46007-001).
7. PART CONFORMS TO CLASS "B" REQUIREMENTS OF COSMETIC SPECIFICATION PS-45499-002 BUT, MEETS CLASS "C" REQUIREMENTS FOR BUBBLES, SINK AND DISCOLORATION.



| | | | | | | | | | | |
|---|---------------------------------------|---|--|--|--------------------|--|-------------------------------------|----------------------------|--|--|
| 1.033 TOLERANCE EC NO: UCP2015-4773 DRWN:JFOX 2015/05/13 CHKD:ANDERSON 2015/05/13 APPR:FSMITH 2015/05/21 | QUALITY SYMBOLS | GENERAL TOLERANCES (UNLESS SPECIFIED) | | DIMENSION STYLE IN/MM | | SCALE 3:1 | DESIGN UNITS INCH | THIRD ANGLE PROJECTION | | |
| | | | | DRAWN BY C STEWART | DATE 07-26-05 | TITLE 8CKT. RECEPTACLE HOUSING .125/(3.18)X.020/(0.51) SABRE-TPA | | | | |
| | | | | CHECKED BY B WIRKUS | DATE 1995/07/26 | molex | | | | |
| | | | | APPROVED BY B WIRKUS | DATE | MATERIAL NO. SEE CHART | DOCUMENT NO. SD-44441-008 | SHEET NO. 1 OF 1 | | |
| REV B1 | DESCRIPTION 1.033 TOLERANCE | ANGULAR ±1/2° DRAFT WHERE APPLICABLE MUST REMAIN WITHIN DIMENSIONS | | THIS DRAWING CONTAINS INFORMATION THAT IS PROPRIETARY TO MOLEX INCORPORATED AND SHOULD NOT BE USED WITHOUT WRITTEN PERMISSION | | | | | | |