



Chipsmall Limited consists of a professional team with an average of over 10 year of expertise in the distribution of electronic components. Based in Hongkong, we have already established firm and mutual-benefit business relationships with customers from,Europe,America and south Asia,supplying obsolete and hard-to-find components to meet their specific needs.

With the principle of “Quality Parts,Customers Priority,Honest Operation,and Considerate Service”,our business mainly focus on the distribution of electronic components. Line cards we deal with include Microchip,ALPS,ROHM,Xilinx,Pulse,ON,Everlight and Freescale. Main products comprise IC,Modules,Potentiometer,IC Socket,Relay,Connector.Our parts cover such applications as commercial,industrial, and automotives areas.

We are looking forward to setting up business relationship with you and hope to provide you with the best service and solution. Let us make a better world for our industry!



Contact us

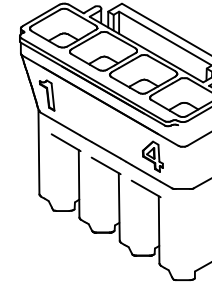
Tel: +86-755-8981 8866 Fax: +86-755-8427 6832

Email & Skype: info@chipsmall.com Web: www.chipsmall.com

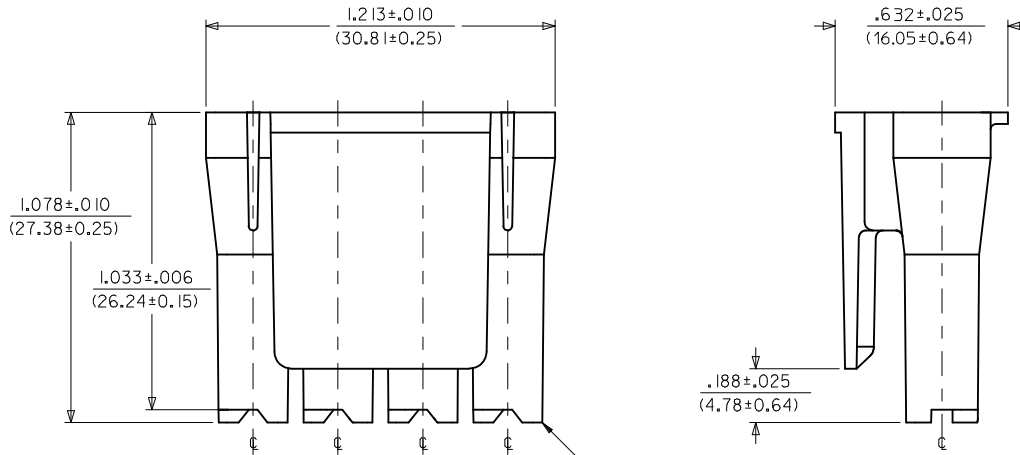
Address: A1208, Overseas Decoration Building, #122 Zhenhua RD., Futian, Shenzhen, China



ITEM NO	MATERIAL	COLOUR
44441-2004	UL94V-0 NYLON	BLACK
44441-3004	UL94V-2 NYLON IEC 60335-1 GLOW WIRE CAPABLE	BLACK



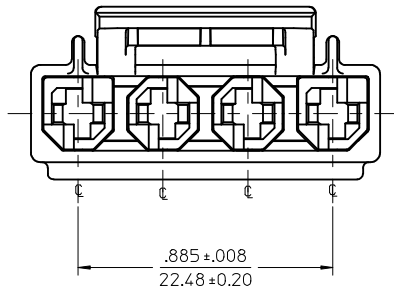
44441-1004
(NO SCALE)



CIRCUIT 1

NOTES:

1. MATERIAL: SEE CHART
2. THIS CONNECTOR HOUSING FOR USE WITH 43375-**** TERMINALS.
3. THIS CONNECTOR HOUSING WILL MATE TO A-43160-****4, 43180-****4, AND 43680-****4 HOUSINGS.
4. PRODUCT SPECIFICATION: PS-44441-9999.
5. PACKAGING: PK-44441-001.
6. PART CONFORMS TO CLASS 'B' REQUIREMENTS OF COSMETIC SPECIFICATION PS-45499-002 BUT, MEETS CLASS 'C' REQUIREMENTS FOR BUBBLES, SINK AND DISCOLORATION.



CORRECT TOLERANCE EC NO: UCP2014-5424 DRWN:JFOX 2014/06/26 CHKD:ANDERSON 2014/06/26 APPR:FSMITH 2014/07/09	QUALITY SYMBOLS 	GENERAL TOLERANCES (UNLESS SPECIFIED)		DIMENSION STYLE	SCALE	DESIGN UNITS	THIRD ANGLE PROJECTION		
				IN/MM	3:1	INCH			
				DRAWN BY	DATE	TITLE			
				CHECKED BY	DATE				
REV B1	DESCRIPTION 4 PLACES ± --- ± --- 3 PLACES ± --- ± .010 2 PLACES ± 0.25 ± .014 1 PLACE ± 0.35 ± --- 0 PLACE ± ±	MATERIAL NO. SEE CHART		DOCUMENT NO. SD-44441-2004		SHEET NO. 1 OF 1			
		DRAFT WHERE APPLICABLE MUST REMAIN WITHIN DIMENSIONS		SIZE 		THIS DRAWING CONTAINS INFORMATION THAT IS PROPRIETARY TO MOLEX INCORPORATED AND SHOULD NOT BE USED WITHOUT WRITTEN PERMISSION			
		ANGULAR ±1/2°							