



Chipsmall Limited consists of a professional team with an average of over 10 year of expertise in the distribution of electronic components. Based in Hongkong, we have already established firm and mutual-benefit business relationships with customers from,Europe,America and south Asia,supplying obsolete and hard-to-find components to meet their specific needs.

With the principle of “Quality Parts,Customers Priority,Honest Operation,and Considerate Service”,our business mainly focus on the distribution of electronic components. Line cards we deal with include Microchip,ALPS,ROHM,Xilinx,Pulse,ON,Everlight and Freescale. Main products comprise IC,Modules,Potentiometer,IC Socket,Relay,Connector.Our parts cover such applications as commercial,industrial, and automotives areas.

We are looking forward to setting up business relationship with you and hope to provide you with the best service and solution. Let us make a better world for our industry!



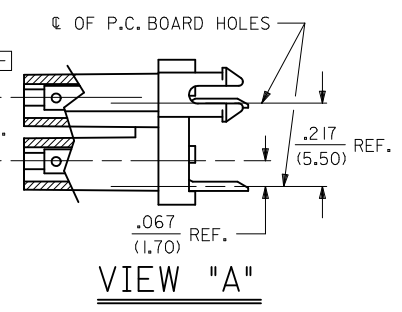
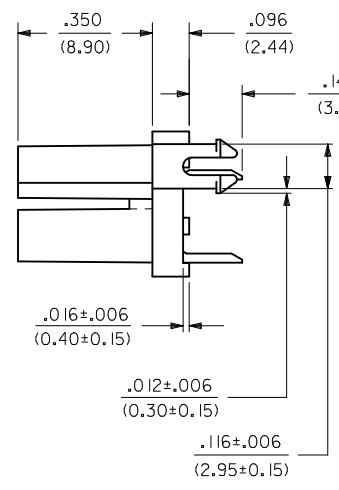
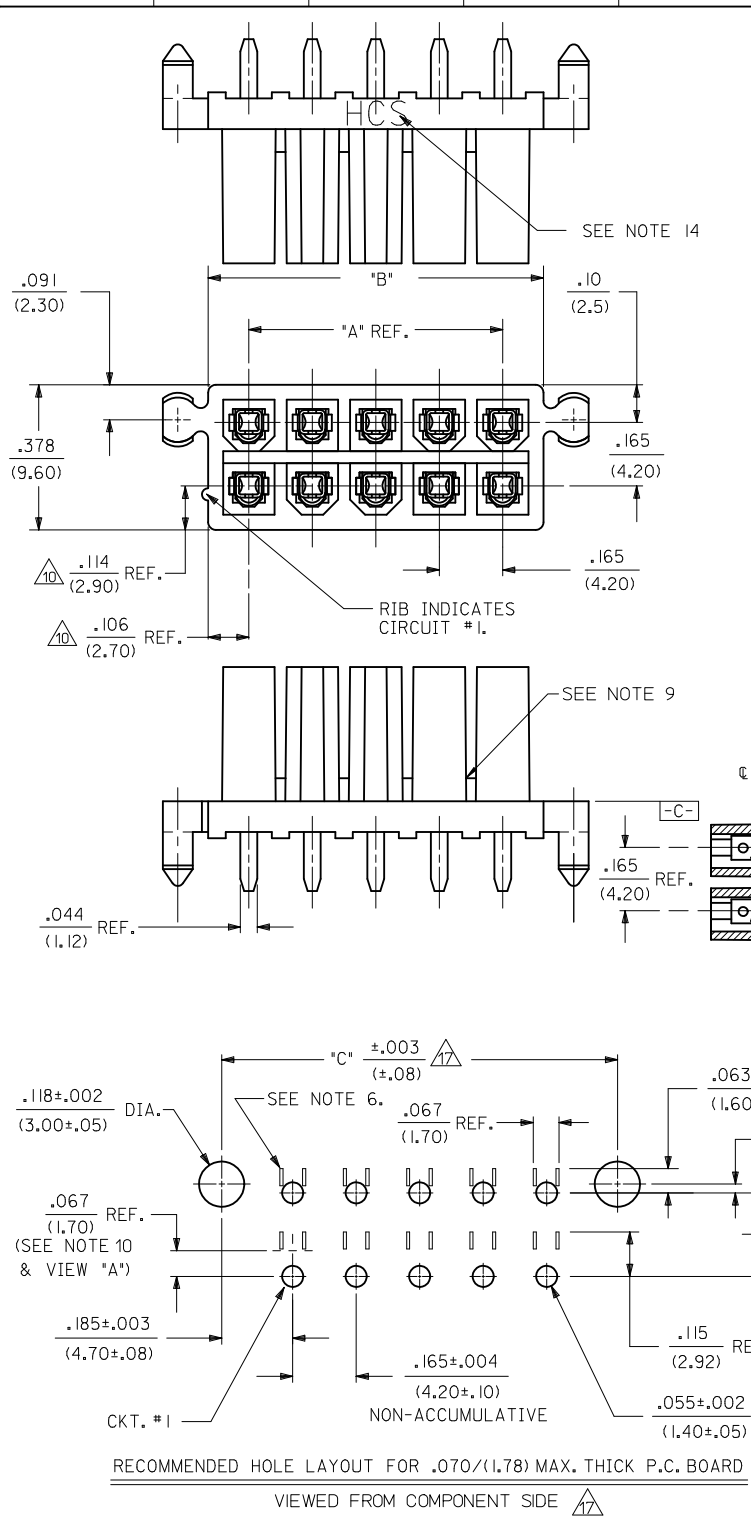
## Contact us

Tel: +86-755-8981 8866 Fax: +86-755-8427 6832

Email & Skype: info@chipsmall.com Web: www.chipsmall.com

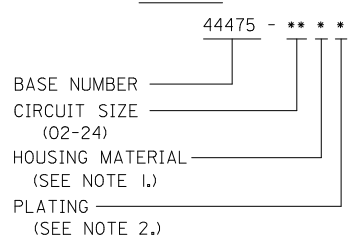
Address: A1208, Overseas Decoration Building, #122 Zhenhua RD., Futian, Shenzhen, China





VIEW "A"

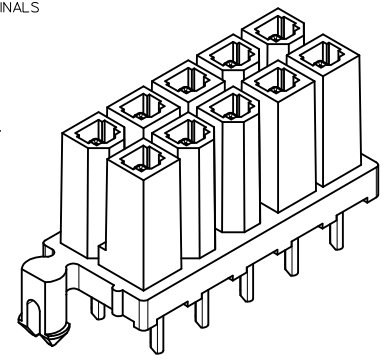
LEGEND:



NOTES:

- HOUSING MATERIAL:  
1 - NYLON 6/6, U.L. 94V-2, COLOR: NATURAL.  
2 - NYLON 6/6, U.L. 94V-0, COLOR: NATURAL.
- TERMINAL PLATING:  
1 - .000100/(.00254) MIN. MATTE TIN OVER .000050/(.00127) MIN. NICKEL.  
2 - .000030/(.00080) MIN. SELECT GOLD, .000100/(.00254) MIN. MATTE TIN OVER .000050/(.00127) MIN. NICKEL OVERALL.
- PRODUCT SPECIFICATION: PS-44476-001.
- PACKAGING SPECIFICATION: PK-42385-999.
- PART MATES WITH MINI-FIT B.M.I. PLUG #42475 WITH 44478 TERMINALS HEADERS #42404, 44068, 43810 AND VERT. HEADER #44474.
- PHANTOM LINES INDICATE AREAS WHERE TERMINAL STANDOFFS CONTACT P.C. BOARD.
- A MAXIMUM TOLERANCE OF .050/(1.27) ALLOWS FOR 2 POINTS OF ELECTRICAL CONTACT. A MAXIMUM TOLERANCE OF .020/(.51) ALLOWS FOR 4 POINTS OF CONTACT.
- .016 IN/IN OR .016 MM/MM MAX. BOW ALLOWABLE AT DATUM  $\square$ -C.
- RIB MAY NOT BE PRESENT ON ALL PARTS.
- DIMENSION TO BE USED FOR ALIGNMENT OF CIRCUIT #1 OF MATING CONNECTOR
- CONNECTOR ASSEMBLIES ARE NOT TO BE MATED OR UNMATED WHILE CIRCUITS ARE LIVE.
- PARTS NOT DESIGNED FOR CURRENT SHARING.
- ITEM NUMBERS PRECEDED BY AN 'X' IN THE CHARTS ON SHEET 3 ARE NOT AVAILABLE.
- PARTS WILL HAVE 'HCS' MARKING.
- WHEN THIS PRODUCT IS USED IN A BLIND MATING APPLICATION, THE SYSTEM LEVEL DESIGN MUST INCORPORATE GUIDANCE SO THE CONNECTORS ARE WITHIN THE CAPTURE ENVELOPE (UP TO .100/(2.54) MISALIGNMENT) OF THE FLANGES ON THE HEADER OR PLUG HOUSING AND CAN THUS ALIGN THEMSELVES AS THEY COME TOGETHER. FLOAT IS ALSO REQUIRED IN THE OVERALL DESIGN TO ALLOW THE PCB RECEPTACLE OR ITS MATE TO MOVE INTO A STRESS-FREE POSITION AFTER MATING. IN BOARD TO BOARD APPLICATIONS, ONLY ONE HEADER IS ALLOWED PER P.C. BOARD.
- PARTS CONFORM TO CLASS 'B' REQUIREMENTS OF COSMETIC SPECIFICATION PS-45499-002.
- IT IS RECOMMENDED TO USE THE 42475 SERIES MATING PART NUMBER WITHOUT TERMINALS TO AID IN PCB INSERTION. INSERT THE 44475 PART INTO THE 42475 PART AND THEN INSERT INTO THE PCB.

CIRCUIT SIZE	DIM. "A"	DIM. "B"	DIM. "C"
2	—	.21 (5.4)	.370 (9.40)
4	.165 (4.20)	.38 (9.6)	.535 (13.60)
6	.331 (8.40)	.54 (13.8)	.701 (17.80)
8	.496 (12.60)	.71 (18.0)	.866 (22.00)
10	.661 (16.80)	.87 (22.2)	1.031 (26.20)
12	.827 (21.00)	1.04 (26.4)	1.197 (30.40)
14	.992 (25.20)	1.20 (30.6)	1.362 (34.60)
16	1.157 (29.40)	1.37 (34.8)	1.528 (38.80)
18	1.323 (33.60)	1.54 (39.0)	1.693 (43.00)
20	1.488 (37.80)	1.70 (43.2)	1.858 (47.20)
22	1.654 (42.00)	1.87 (47.4)	2.024 (51.40)
24	1.819 (46.20)	2.03 (51.6)	2.189 (55.60)

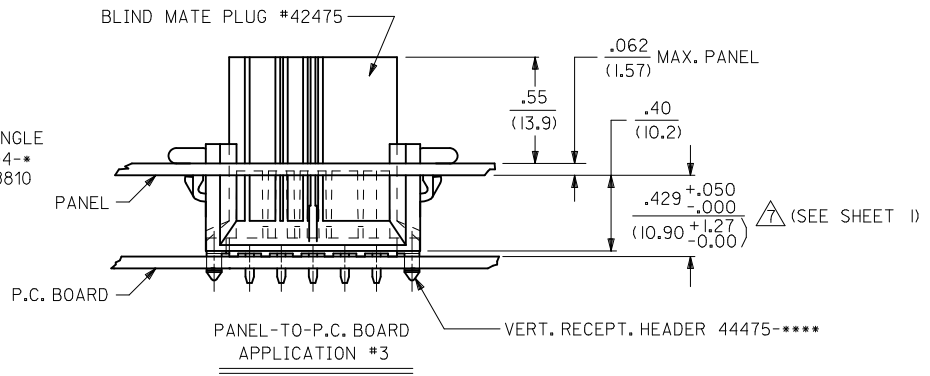
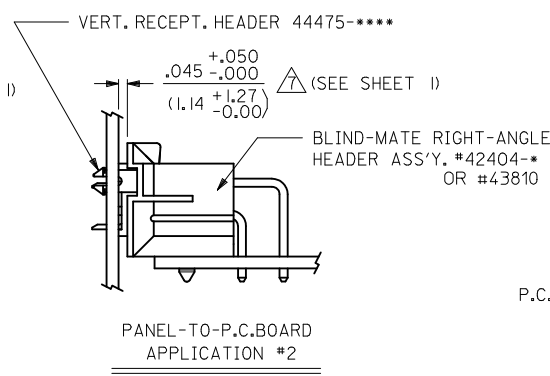
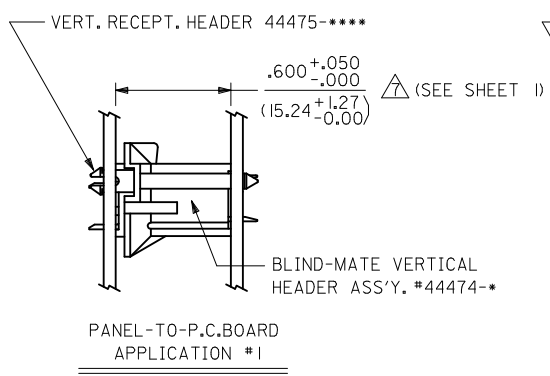
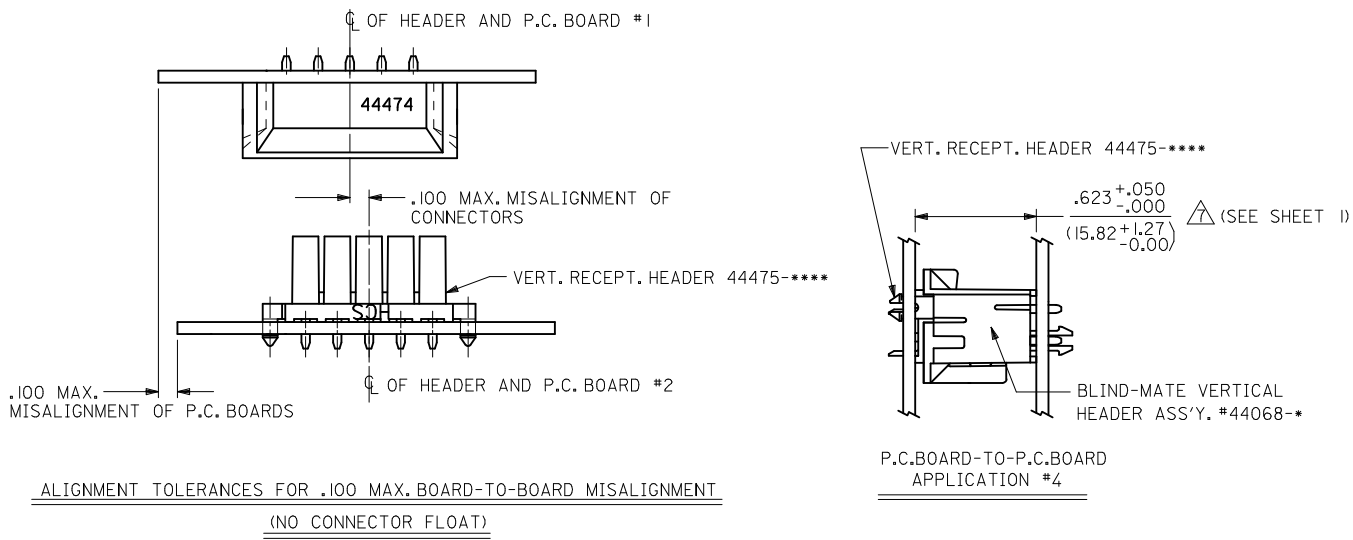


ADD NOTE 17	EC NO: UCP2012-3941	2012/06/20	DRWINHANGUYEN
	CHKD:JBELL	2012/06/20	APPR:FSMITH
REV	DESCRIPTION		
D1			

QUALITY SYMBOLS	▽=0
	▽=0
GENERAL TOLERANCES (UNLESS SPECIFIED)	mm INCH
	4 PLACES ± --- ± ---
DIMENSION STYLE	IN/MM
	DRAWN BY DATE
SCALE	4:1
	CHECKED BY DATE
DESIGN UNITS	METRIC
	APPROVED BY DATE
THIRD ANGLE PROJECTION	⊙
	□
MATERIAL NO.	DOCUMENT NO.
	SEE SHEET 3
DRAFT WHERE APPLICABLE MUST REMAIN WITHIN DIMENSIONS	SIZE
	C

DRAWN BY DATE		GEP 1994/08/10	
CHECKED BY DATE		R/JF 1994/08/10	
APPROVED BY DATE		FSMITH 2011/10/11	
MATERIAL NO.		DOCUMENT NO.	
SEE SHEET 3		SDA-44475-****	
SIZE		C	

VERT HEADER RECEPT ASSY			
BLIND MATE			
MINI-FIT HCS SERIES			
MOLEX INCORPORATED			
SHEET NO.			1 OF 3
THIS DRAWING CONTAINS INFORMATION THAT IS PROPRIETARY TO MOLEX INCORPORATED AND SHOULD NOT BE USED WITHOUT WRITTEN PERMISSION			



SEE NOTE 15

SEE SHEET 1 EC NO: UCP2012-3941 DRW: NGUYEN 2012/06/20 CHKD: BELL 2012/06/20 APPR: FSMITH 2012/06/25 REV: D1	QUALITY SYMBOLS	GENERAL TOLERANCES (UNLESS SPECIFIED)	DIMENSION STYLE	SCALE	DESIGN UNITS	THIRD ANGLE PROJECTION
	▽=0	mm INCH	IN/MM	4:1	METRIC	☉
	▽=0	4 PLACES ± --- ± ---	DRAWN BY DATE	TITLE	VERT HEADER RECEPT ASSY BLIND MATE MINI-FIT HCS SERIES	
	▽=0	3 PLACES ± --- ± .010	CHECKED BY DATE	MOLEX MOLEX INCORPORATED		
	2 PLACES ± 0.25 ± .015	APPROVED BY DATE	DOCUMENT NO.		SHEET NO.	
	1 PLACE ± 0.38 ± ---	ANGULAR ± 5 °	SEE SHEET 3	SDA-44475-****	2 OF 3	
		DRAFT WHERE APPLICABLE MUST REMAIN WITHIN DIMENSIONS	THIS DRAWING CONTAINS INFORMATION THAT IS PROPRIETARY TO MOLEX INCORPORATED AND SHOULD NOT BE USED WITHOUT WRITTEN PERMISSION			

	13	12	11	10	9	8	7	6	5	4	3	2	1
	ITEM NUMBER	CKT. SIZE	HOUSING MATERIAL	PLATING (SEE NOTE 2)	ITEM NUMBER	CKT. SIZE	HOUSING MATERIAL	PLATING (SEE NOTE 2)					
J	X 44475-0211	2	94V-2	I	X 44475-0222	2	94V-0	2					
	↑ -0411	4	↑	↑	X ↑ -0422	4	↑	↑					
	-0611	6			X -0622	6							
	X -0811	8			X -0822	8							
I	-1011	10			X -1022	10							
	X -1211	12			X -1222	12							
	-1411	14			X -1422	14							
	X -1611	16			X -1622	16							
H	-1811	18			-1822	18							
	X -2011	20			X -2022	20							
	X ↓ -2211	22	↓	↓	X ↓ -2222	22	↓	↓					
	44475-2411	24	94V-2	I	X 44475-2422	24	94V-0	2					

G	X 44475-0221	2	94V-0	I
	↑ -0421	4	↑	↑
	-0621	6		
	X -0821	8		
	-1021	10		
	X -1221	12		
	-1421	14		
	-1621	16		
	-1821	18		
	X -2021	20		
	X ↓ -2221	22	↓	↓
	44475-2421	24	94V-0	I

ITEM. NO.	CKT. SIZE	HSG. MAT'L.	TERMINAL PLATING REQUIRED AT EACH CIRCUIT LOCATION:																								
			1	2	3	4	5	6	7	8	9	10	11	12	13	14	15	16	17	18	19	20	21	22	23	24	
44475-3000	24	94V-0	1	1	-	1	-	1	-	1	-	1	1	1	1	1	1	-	1	-	1	-	1	-	1	1	1


ITEMS PRECEDED BY "X" ARE NOT AVAILABLE.

REV	DESCRIPTION	QUALITY SYMBOLS
D1	SEE SHEET 1 EC NO: UCP2012-3941 DRAWN: NGUYEN 2012/06/20 CHKD: BELL 2012/06/20 APPR: FSMITH 2012/06/25	▽=0 ▽=0 ▽=0

GENERAL TOLERANCES (UNLESS SPECIFIED)

	mm	INCH
4 PLACES	± .005	± .0008
3 PLACES	± .005	± .010
2 PLACES	± 0.25	± .015
1 PLACE	± 0.38	± .015

ANGULAR ± 5 °

DRAFT WHERE APPLICABLE MUST REMAIN WITHIN DIMENSIONS

DIMENSION STYLE		SCALE	DESIGN UNITS	THIRD ANGLE PROJECTION	
IN/MM		1:1	METRIC		
DRAWN BY	DATE	TITLE			
GEP	1994/08/10	VERT HEADER RECEPT ASSY			
CHECKED BY	DATE	BLIND MATE			
RJF	1994/08/10	MINI-FIT HCS SERIES			
APPROVED BY	DATE	MOLEX INCORPORATED			
FSMITH	2011/10/11	MATERIAL NO. SDA-44475-****			
MATERIAL NO.		DOCUMENT NO.		SHEET NO.	
SEE CHART		SDA-44475-****		3 OF 3	
SIZE	THIS DRAWING CONTAINS INFORMATION THAT IS PROPRIETARY TO MOLEX INCORPORATED AND SHOULD NOT BE USED WITHOUT WRITTEN PERMISSION				