



Chipsmall Limited consists of a professional team with an average of over 10 year of expertise in the distribution of electronic components. Based in Hongkong, we have already established firm and mutual-benefit business relationships with customers from,Europe,America and south Asia,supplying obsolete and hard-to-find components to meet their specific needs.

With the principle of “Quality Parts,Customers Priority,Honest Operation,and Considerate Service”,our business mainly focus on the distribution of electronic components. Line cards we deal with include Microchip,ALPS,ROHM,Xilinx,Pulse,ON,Everlight and Freescale. Main products comprise IC,Modules,Potentiometer,IC Socket,Relay,Connector.Our parts cover such applications as commercial,industrial, and automotives areas.

We are looking forward to setting up business relationship with you and hope to provide you with the best service and solution. Let us make a better world for our industry!



## Contact us

Tel: +86-755-8981 8866 Fax: +86-755-8427 6832

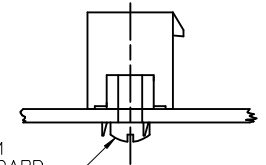
Email & Skype: info@chipsmall.com Web: www.chipsmall.com

Address: A1208, Overseas Decoration Building, #122 Zhenhua RD., Futian, Shenzhen, China

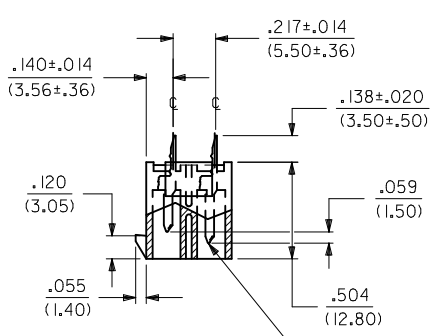
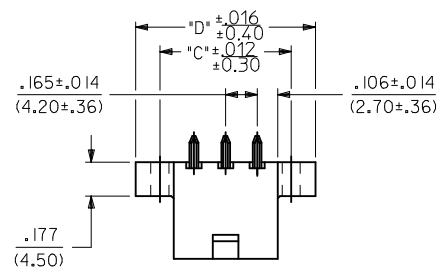


**NOTES:**

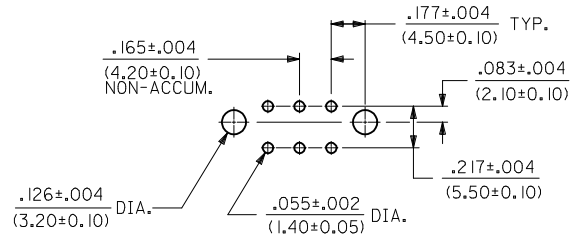
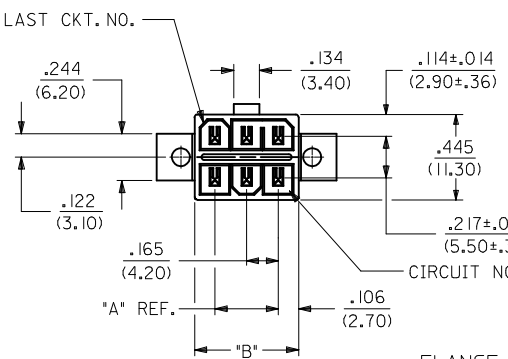
- HOUSING MAT'L.: POLYESTER, UNFILLED, 94V-0. COLOR: BLACK. TERMINAL MATERIAL: BRASS ALLOY.
  - PLATINGS:
    - = .000030/(.00076) MIN. SELECT GOLD AND .000100/(.00254) MIN. SELECT MATTE TIN OVER .000050/(.00127) MIN. NICKEL OVERALL.
    - = .000100/(0.00254) MIN. BRIGHT TIN OVER .000050/(0.00127) MIN. NICKEL OVERALL.
  - PRODUCT SPECIFICATION: PS-5556-003.
  - PACKAGING SPECIFICATION: BULK PER PK-30069-001.
- TRAY PER 30069000-PK
- PART MATES WITH RECEPTACLE 30067-\*,
  - FLANGE MOUNT PART IS DESIGNED FOR USE WITH #4 OR M3 SELF TAPPING SCREWS.
  - SEE CHART ON SHEET 3 FOR STD. TERMINAL, GROUNDING TERMINAL AND VOID LOCATIONS.
  - PARTS ARE NOT TO BE MATED OR UNMATED WHILE CIRCUITS ARE LIVE.
  - ITEM NUMBERS PRECEDED BY AN 'X' IN THE CHART ON SHEET 3 ARE NOT AVAILABLE.
  - PART CONFORMS TO CLASS 'B' REQUIREMENTS OF COSMETIC SPECIFICATION PS-45499-002.



INSTALL SCREW FROM UNDERSIDE OF P.C. BOARD  
RECOMMENDED INSTALLATION OF HEADER TO P.C. BOARD

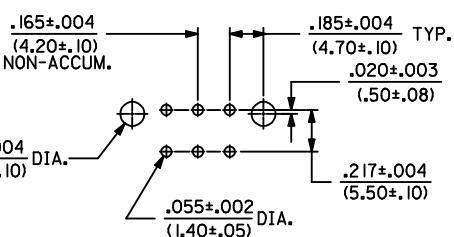
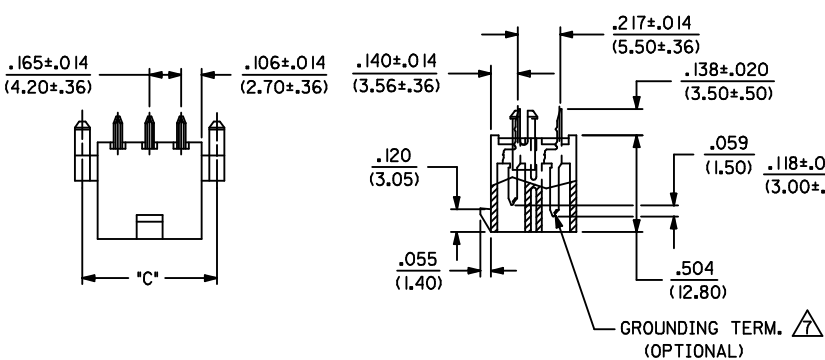


7 GROUNDING TERM. (OPTIONAL)



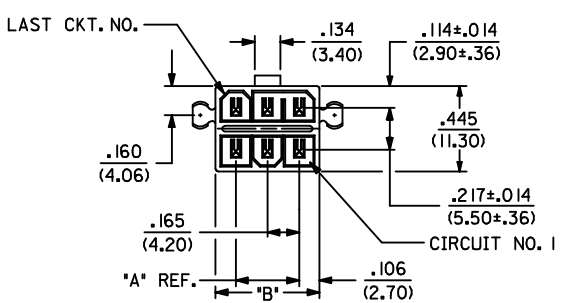
RECOMMENDED HOLE LAYOUT FOR .070/(1.78) MAX. THICK P.C. BOARD

FLANGE MOUNT



RECOMMENDED HOLE LAYOUT FOR .070/(1.78) MAX. THICK P.C. BOARD

GROUNDING TERM. (OPTIONAL)



WITH PEGS

CKT. SIZE	LETTER DIMENSIONS FOR ASSEMBLIES WITH PEGS		
	DIM. 'A'	DIM. 'B'	DIM. 'C'
2	—	.213 (5.40)	.370 (9.40)
4	.165 (4.20)	.378 (9.60)	.535 (13.60)
6	.331 (8.40)	.543 (13.80)	.701 (17.80)
8	.496 (12.60)	.709 (18.00)	.866 (22.00)
10	.661 (16.80)	.874 (22.20)	1.031 (26.20)
12	.827 (21.00)	1.039 (26.40)	1.197 (30.40)
14	.992 (25.20)	1.205 (30.60)	1.362 (34.60)
16	1.157 (29.40)	1.370 (34.80)	1.528 (38.80)

CKT. SIZE	LETTER DIMENSIONS FOR ASSEMBLIES WITH FLANGES			
	DIM. 'A'	DIM. 'B'	DIM. 'C'	DIM. 'D'
2	—	.213 (5.40)	.354 (9.00)	.606 (15.40)
4	.165 (4.20)	.378 (9.60)	.520 (13.20)	.772 (19.60)
6	.331 (8.40)	.543 (13.80)	.685 (17.40)	.937 (23.80)
8	.496 (12.60)	.709 (18.00)	.850 (21.60)	1.102 (28.00)
10	.661 (16.80)	.874 (22.20)	1.016 (25.80)	1.268 (32.20)
12	.827 (21.00)	1.039 (26.40)	1.181 (30.00)	1.433 (36.40)
14	.992 (25.20)	1.205 (30.60)	1.346 (34.20)	1.598 (40.60)
16	1.157 (29.40)	1.370 (34.80)	1.512 (38.40)	1.764 (44.80)

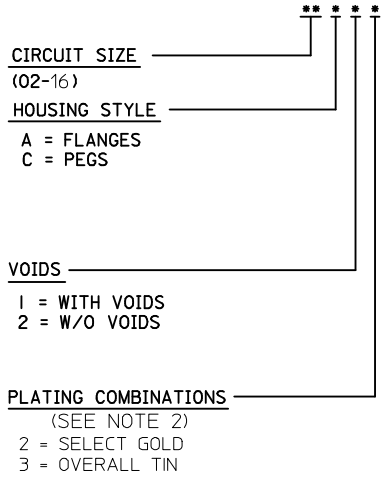
ADD TOL TO DIM D EC NO: UCP2017-2158 DRWING:APPELDORN 2017/03/31 CHKD:JBELL 2017/03/31 APPR:FSMITH 2017/04/04	QUALITY SYMBOLS ∇=0 ∇=0 ∇=0	GENERAL TOLERANCES (UNLESS SPECIFIED) mm INCH	DIMENSION STYLE IN/MM	SCALE 2:1	DESIGN UNITS METRIC	THIRD ANGLE PROJECTION
		4 PLACES ± --- ± --- 3 PLACES ± --- ± .010 2 PLACES ± 0.25 ± .014 1 PLACE ± 0.36 ± --- 0 PLACE ± ±	DRAWN BY DATE GEP 1994/07/28	CHECKED BY DATE R/JF 1994/07/28	TITLE VERT. HEADER ASSY., SELECTIVELY LOADED, MINI-FIT T.P.A. SERIES	
		ANGULAR ±1/2° DRAFT WHERE APPLICABLE MUST REMAIN WITHIN DIMENSIONS	APPROVED BY DATE FSMITH 2011/02/11	MATERIAL NO. SEE CHART	DOCUMENT NO. SDA-44482-****	
		SHEET NO. 1 OF 2	THIS DRAWING CONTAINS INFORMATION THAT IS PROPRIETARY TO MOLEX INCORPORATED AND SHOULD NOT BE USED WITHOUT WRITTEN PERMISSION			

ITEM NO.	CHARACTERISTIC DESCRIPTION	TERMINAL VERSION REQUIRED AT EACH CIRCUIT LOCATION: (SEE CODES AT RIGHT)																PACKAGING
		1	2	3	4	5	6	7	8	9	10	11	12	13	14	15	16	
44482-0001	I2A12	2	2	2	4	2	2	2	2	2	2	-	2	2				BULK
X 44482-0002	I2A22	2	2	2	4	2	2	2	2	2	2	2	2	2				BULK
																		BULK
44482-0004	12A12	2	2	2	4	2	2	2	2	2	2	2	-				BULK	
44482-0005	12A12	2	2	2	4	2	2	2	2	2	2	-	2	-			BULK	
44482-0006	16A13	5	5	5	-	5	5	5	5	5	5	5	5	5	5	5	BULK	
44482-0007	16A13	5	5	5	5	5	5	5	5	5	5	-	5	5	5	5	BULK	
44482-0008	12A12	2	-	2	2	2	2	2	2	2	2	2	2				BULK	
44482-0009	12A12	2	2	2	4	-	2	2	2	2	-	2	-				BULK	
44482-9901	12A12	2	2	2	4	2	2	2	2	2	2	-	2	2			BULK	

TERM. I.D. CODES FOR CHART AT LEFT	
TERMINAL TYPE	PLATING (NOTE 2)
"-" = VOID LOC.	N/A
"2" = STD. TERM., SELECT. GOLD	2
"4" = GROUNDING TERM., SELECT. GOLD	2
"5" = STD. TERM, TIN	3
"6" = STD. GROUNDING TERM, TIN	3

SEE NOTE 9

**CHARACTERISTICS LEGEND:**



<b>SEE SHEET 1</b> EC NO: UCP2017-2158 DRWN: BAPPELDORN 2017/03/31 CHKD: JBELL 2017/03/31 APPR: FSMITH 2017/04/04	QUALITY SYMBOLS 	GENERAL TOLERANCES (UNLESS SPECIFIED) <table border="1"> <tr> <th></th> <th>mm</th> <th>INCH</th> </tr> <tr> <td>4 PLACES</td> <td>± .---</td> <td>± .---</td> </tr> <tr> <td>3 PLACES</td> <td>± .---</td> <td>± .010</td> </tr> <tr> <td>2 PLACES</td> <td>± 0.25</td> <td>± .014</td> </tr> <tr> <td>1 PLACE</td> <td>± 0.36</td> <td>± .---</td> </tr> <tr> <td>0 PLACE</td> <td>±</td> <td>±</td> </tr> </table>		mm	INCH	4 PLACES	± .---	± .---	3 PLACES	± .---	± .010	2 PLACES	± 0.25	± .014	1 PLACE	± 0.36	± .---	0 PLACE	±	±	DIMENSION STYLE <b>IN/MM</b> DRAWN BY: GEP DATE: 1994/07/28 CHECKED BY: RJJ DATE: 1994/07/28 APPROVED BY: FSMITH DATE: 2011/02/11	SCALE: TITLE: VERT. HEADER ASSY., SELECTIVELY LOADED, MINI-FIT T.P.A. SERIES 	DESIGN UNITS METRIC THIRD ANGLE PROJECTION
		mm	INCH																				
	4 PLACES	± .---	± .---																				
	3 PLACES	± .---	± .010																				
2 PLACES	± 0.25	± .014																					
1 PLACE	± 0.36	± .---																					
0 PLACE	±	±																					
		ANGULAR ±1/2° DRAFT WHERE APPLICABLE MUST REMAIN WITHIN DIMENSIONS	MATERIAL NO. SEE CHART SIZE C	DOCUMENT NO. SDA-44482-**** SHEET NO. 2 OF 2																			
THIS DRAWING CONTAINS INFORMATION THAT IS PROPRIETARY TO MOLEX INCORPORATED AND SHOULD NOT BE USED WITHOUT WRITTEN PERMISSION																							