



Chipsmall Limited consists of a professional team with an average of over 10 year of expertise in the distribution of electronic components. Based in Hongkong, we have already established firm and mutual-benefit business relationships with customers from,Europe,America and south Asia,supplying obsolete and hard-to-find components to meet their specific needs.

With the principle of “Quality Parts,Customers Priority,Honest Operation,and Considerate Service”,our business mainly focus on the distribution of electronic components. Line cards we deal with include Microchip,ALPS,ROHM,Xilinx,Pulse,ON,Everlight and Freescale. Main products comprise IC,Modules,Potentiometer,IC Socket,Relay,Connector.Our parts cover such applications as commercial,industrial, and automotives areas.

We are looking forward to setting up business relationship with you and hope to provide you with the best service and solution. Let us make a better world for our industry!



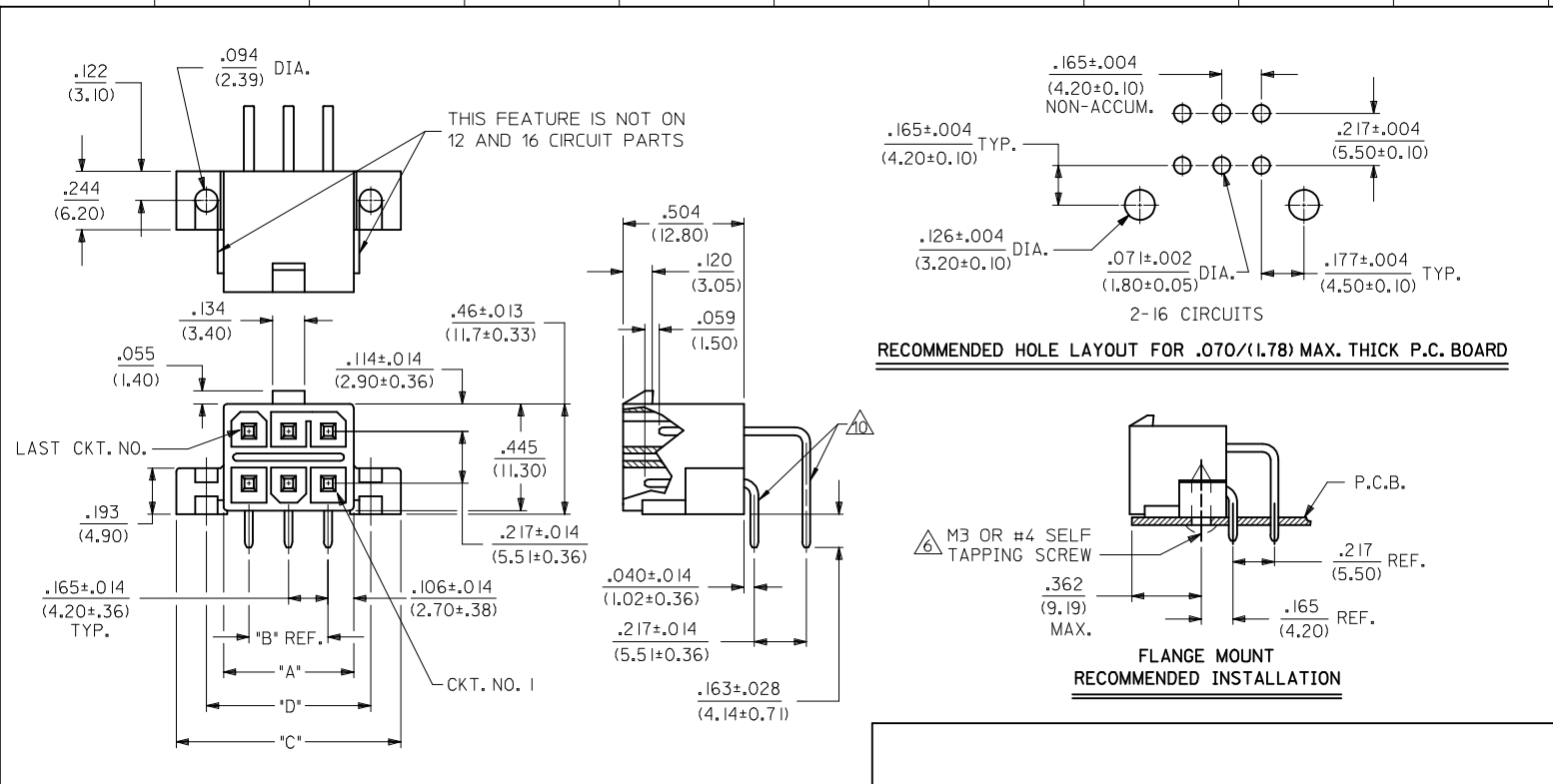
Contact us

Tel: +86-755-8981 8866 Fax: +86-755-8427 6832

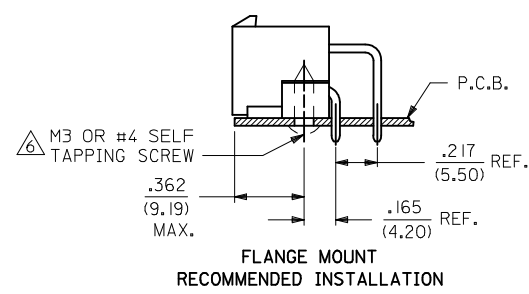
Email & Skype: info@chipsmall.com Web: www.chipsmall.com

Address: A1208, Overseas Decoration Building, #122 Zhenhua RD., Futian, Shenzhen, China



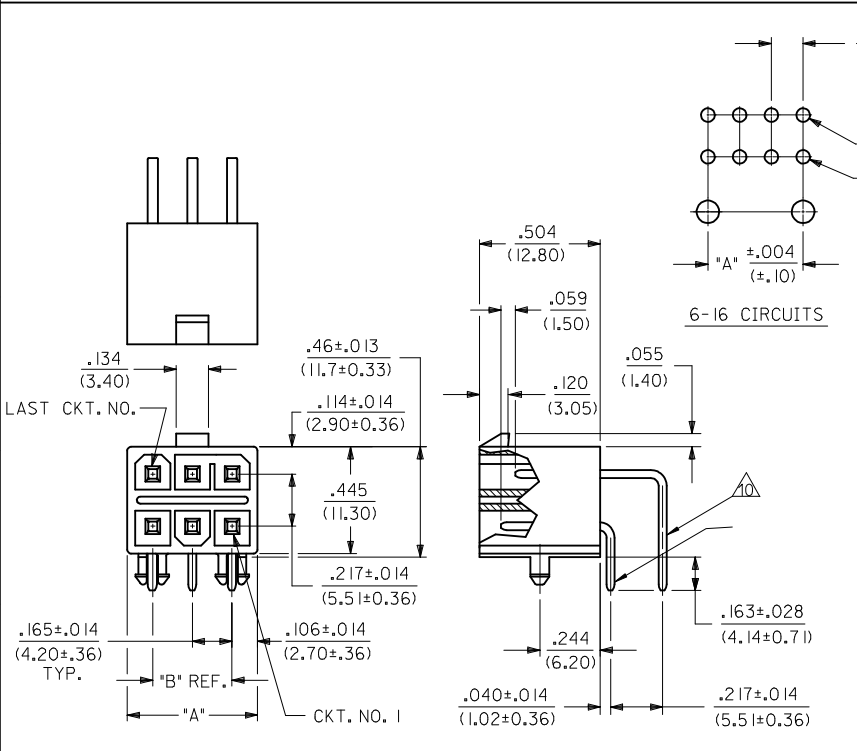


RECOMMENDED HOLE LAYOUT FOR .070/(1.78) MAX. THICK P.C. BOARD

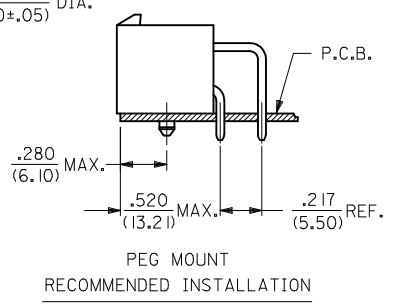
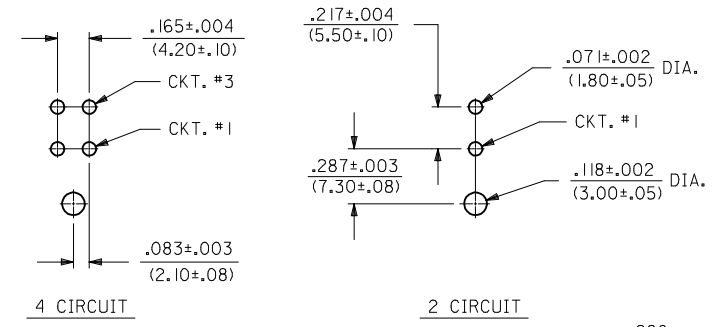


FLANGE MOUNT
RECOMMENDED INSTALLATION

CKT. SIZE	DIM. "A"	DIM. "B"	DIM. "C"	DIM. "D"
2	.213 (5.40)	—	.606 (15.40)	.354 (9.00)
4	.378 (9.60)	.165 (4.20)	.772 (19.60)	.520 (13.20)
6	.543 (13.80)	.331 (8.40)	.937 (23.80)	.685 (17.40)
8	.709 (18.00)	.496 (12.60)	1.102 (28.00)	.850 (21.60)
10	.874 (22.20)	.661 (16.80)	1.268 (32.20)	1.016 (25.80)
12	1.039 (26.40)	.827 (21.00)	1.433 (36.40)	1.181 (30.00)
14	1.205 (30.60)	.992 (25.20)	1.598 (40.60)	1.346 (34.20)
16	1.370 (34.80)	1.157 (29.40)	1.764 (44.80)	1.512 (38.40)



RECOMMENDED HOLE LAYOUT FOR .070/(1.78) MAX. THICK P.C. BOARD



PEG MOUNT
RECOMMENDED INSTALLATION

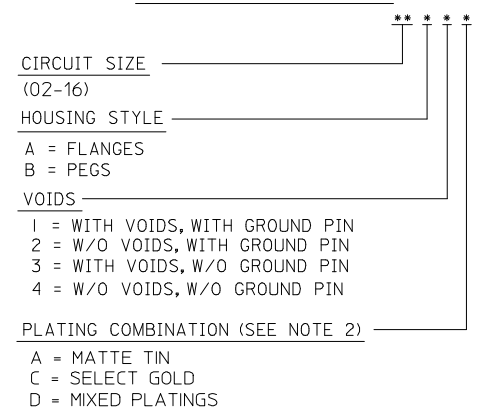
OBS P/N'S EC NO: UCP2017-2244 DRWNGS/LAFTER 2017/04/11 CHKD:JBELL 2017/04/13 APPR:FSMITH 2017/04/18	DESCRIPTION REV	QUALITY SYMBOLS	GENERAL TOLERANCES (UNLESS SPECIFIED)	DIMENSION STYLE IN/MM	SCALE 2:1	DESIGN UNITS METRIC	THIRD ANGLE PROJECTION
		▽=0	mm INCH	DRAWN BY DATE GEP 1994/08/01	TITLE RIGHT ANGLE HEADER ASSY SELECTIVELY LOADED MINI-FIT T.P.A. SERIES		
		▽=0	4 PLACES ± --- ± ---	CHECKED BY DATE R/JF 1994/08/01	molex		
		▽=0	3 PLACES ± --- ± .010	APPROVED BY DATE FSMITH 2011/09/12			
		▽=0	2 PLACES ± 0.25 ± .014	MATERIAL NO. SEE CHART			
		1 PLACE ± 0.36 ± ---	ANGULAR ±1/2°	DOCUMENT NO. SDA-44483-****	SHEET NO. 1 OF 2		
		0 PLACE ± ±	DRAFT WHERE APPLICABLE MUST REMAIN WITHIN DIMENSIONS	THIS DRAWING CONTAINS INFORMATION THAT IS PROPRIETARY TO MOLEX INCORPORATED AND SHOULD NOT BE USED WITHOUT WRITTEN PERMISSION			

ITEM NO.	CHARACTERISTIC DESCRIPTION	CKT. SIZE	TERMINAL VERSION REQUIRED AT EACH CIRCUIT LOCATION: (SEE CODES BELOW)																PACKAGING TYPE	
			1	2	3	4	5	6	7	8	9	10	11	12	13	14	15	16		
J	44483-0001	I2A1C	I2	5	5	5	6	5	5	5	5	5	-	5	5	-	-	-	-	BULK
	44483-0002	I2A2C	I2	5	5	5	6	5	5	5	5	5	5	5	5	-	-	-	-	BULK
	44483-0003	I2A1C	I2	5	5	5	6	5	5	5	5	5	5	5	-	-	-	-	-	TRAY
O	44483-0004	O4A2C	O4	5	5	6	5	-	-	-	-	-	-	-	-	-	-	-	-	BULK
I	44483-0005	O4A2A	O4	7	7	8	7	-	-	-	-	-	-	-	-	-	-	-	-	BULK
	44483-0006	I2A1C	I2	5	5	5	6	-	5	5	5	5	5	5	5	-	-	-	-	BULK
	44483-0007	I6A2A	I6	7	7	8	7	7	8	8	7	8	7	8	7	8	7	7	8	BULK
	44483-0008	I2A1C	I2	5	-	6	6	-	5	-	5	5	5	5	-	-	-	-	-	BULK
H	44483-0009	O6A2C	O6	5	5	6	5	5	5	-	-	-	-	-	-	-	-	-	-	BULK
	44483-0010	O6A1C	O6	5	-	6	5	-	5	-	-	-	-	-	-	-	-	-	-	BULK
	44483-0011	I2A3A	I2	7	7	7	7	7	7	7	7	-	7	7	-	-	-	-	-	BULK
	44483-0012	I2A1C	I2	5	5	5	6	5	5	5	5	5	-	5	5	-	-	-	-	BULK
G	44483-0013	I2A1C	I2	5	5	5	6	-	5	5	5	5	-	5	-	-	-	-	-	TRAY
	44483-0014	I2A4D	I2	7	7	7	7	7	7	5	7	7	7	7	7	-	-	-	-	TRAY
	44483-0015	I2B3A	I2	-	7	7	7	7	-	-	7	7	-	7	7	-	-	-	-	TRAY
	44483-0016	I2A2C	I2	6	6	5	5	6	6	6	6	5	5	6	6	-	-	-	-	TRAY
F	44483-0017	O4A1C	O4	-	5	6	5	-	-	-	-	-	-	-	-	-	-	-	-	TRAY
	44483-0018	O4A1C	O4	5	-	6	5	-	-	-	-	-	-	-	-	-	-	-	-	TRAY
	44483-0019	O4A1C	O4	5	5	6	-	-	-	-	-	-	-	-	-	-	-	-	-	TRAY

O = OBSOLETE

- NOTES:
- MATERIAL:
HOUSING: POLYESTER, UNFILLED, UL94 V-0, COLOR: BLACK
TERMINAL: BRASS
 - FINISH (TERMINAL):
SELECT GOLD = .000030/(.00076) MIN. GOLD OVER .000100/(.00254) MIN. SELECT MATTE TIN OVER .000050/(.00127) MIN. NICKEL OVERALL
MATTE TIN = .000100/(0.00254) MIN MATTE TIN OVER .000050/(0.00127) MIN NICKEL OVERALL
 - PRODUCT SPECIFICATION: PS-5556-003
 - PACKAGING: SEE CHART
TRAY PACKED PER: PK-44483-001
BULK PACKED PER: PK-30070-001
 - PART MATES WITH MINI-FIT T.P.A. RECEPTACLE 30067-*.
FLANGE MOUNT PART IS DESIGNED FOR USE WITH #4 OR M3 SELF TAPPING SCREWS.
 - SEE CHART ABOVE FOR STANDARD PIN, GROUND PIN AND VOID LOCATIONS.
 - PARTS ARE NOT TO BE MATED OR UNMATED WHILE CIRCUITS ARE LIVE.
 - PART IS NOT DESIGNED FOR CURRENT SHARING.
 - FORMING MARKS ARE ACCEPTABLE.
 - PART CONFORMS TO CLASS "B" REQUIREMENTS OF COSMETIC SPECIFICATION PS-45499-002.
 - DISCOLORATION IN THE BANDOLIER CARRIER AREA OF THE PIN IS INHERENT TO THE PLATING PROCESS AND IS DUE TO THE MASKING EFFECT OF THE CARRIER. THIS DISCOLORATION IS IN A NON-FUNCTIONAL AREA OF THE PIN AND WILL NOT AFFECT THE PERFORMANCE OF THE HEADER ASSEMBLY.

CHARACTERISTICS LEGEND:



PIN. I.D. CODES FOR CHART ABOVE	
PIN TYPE & PLATING (SEE NOTE 2)	
"-"	= VOID LOC.
"5"	= STANDARD PIN, SELECT GOLD
"6"	= GROUNDING PIN, SELECT GOLD
"7"	= STANDARD PIN, MATTE TIN
"8"	= GROUNDING PIN, MATTE TIN

SEE SHEET 1 EC NO: UCP2017-2244 DRAWN:SLAFTER 2017/04/11 CHKD:J.BELL 2017/04/13 APPR:FSMITH 2017/04/18	QUALITY SYMBOLS	DESCRIPTION
	▽=0	
	▽=0	
	▽=0	
	F5	REV

GENERAL TOLERANCES (UNLESS SPECIFIED)	
	mm INCH
4 PLACES ± .010	± .0004
3 PLACES ± .010	± .0004
2 PLACES ± 0.25	± .010
1 PLACE ± 0.36	± .014
0 PLACE ±	±
ANGULAR ±1/2°	
DRAFT WHERE APPLICABLE MUST REMAIN WITHIN DIMENSIONS	

DIMENSION STYLE		SCALE	DESIGN UNITS	THIRD ANGLE PROJECTION
IN/MM		2:1	METRIC	☉
DRAWN BY	DATE	TITLE		
GEP	1994/08/01	RIGHT ANGLE HEADER ASSY SELECTIVELY LOADED MINI-FIT T.P.A. SERIES		
CHECKED BY	DATE	molex		
RJF	1994/08/01	DOCUMENT NO. SDA-44483-****		
APPROVED BY	DATE	SHEET NO. 2 OF 2		
FSMITH	2011/09/12	THIS DRAWING CONTAINS INFORMATION THAT IS PROPRIETARY TO MOLEX INCORPORATED AND SHOULD NOT BE USED WITHOUT WRITTEN PERMISSION		