



Chipsmall Limited consists of a professional team with an average of over 10 year of expertise in the distribution of electronic components. Based in Hongkong, we have already established firm and mutual-benefit business relationships with customers from,Europe,America and south Asia,supplying obsolete and hard-to-find components to meet their specific needs.

With the principle of “Quality Parts,Customers Priority,Honest Operation,and Considerate Service”,our business mainly focus on the distribution of electronic components. Line cards we deal with include Microchip,ALPS,ROHM,Xilinx,Pulse,ON,Everlight and Freescale. Main products comprise IC,Modules,Potentiometer,IC Socket,Relay,Connector.Our parts cover such applications as commercial,industrial, and automotives areas.

We are looking forward to setting up business relationship with you and hope to provide you with the best service and solution. Let us make a better world for our industry!



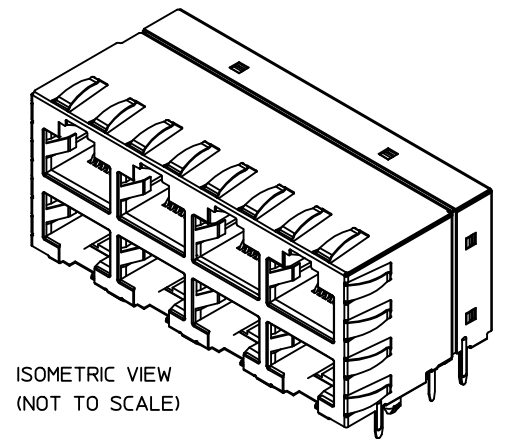
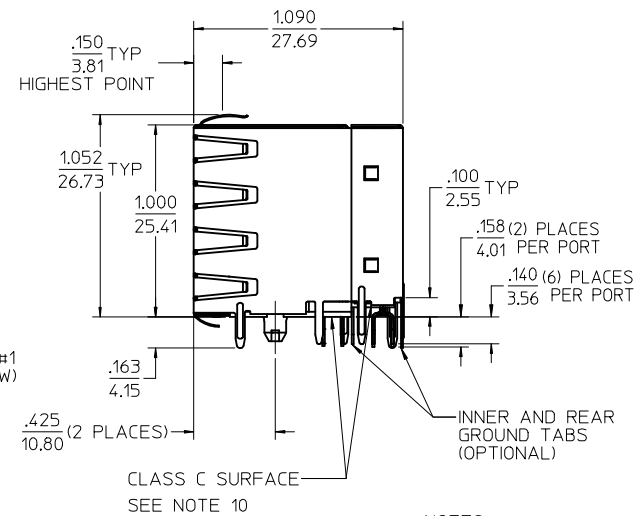
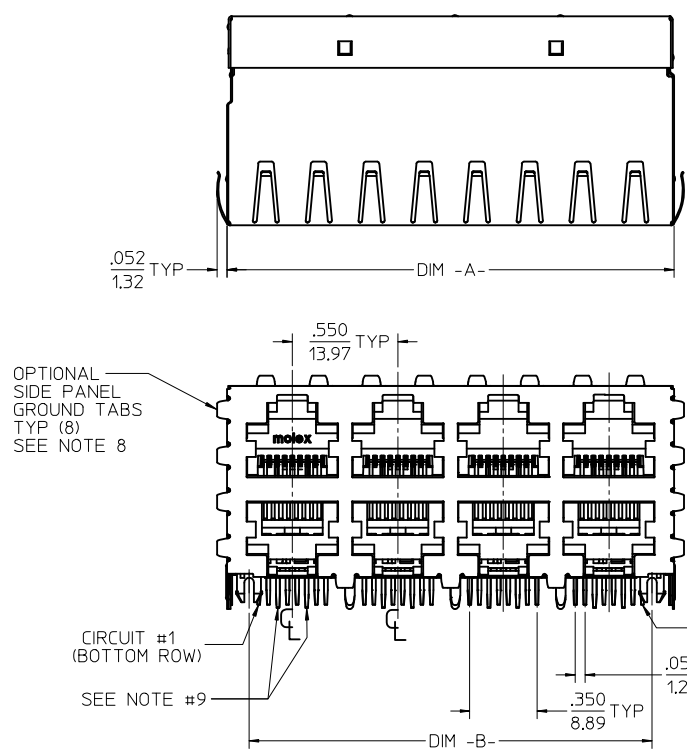
## Contact us

Tel: +86-755-8981 8866 Fax: +86-755-8427 6832

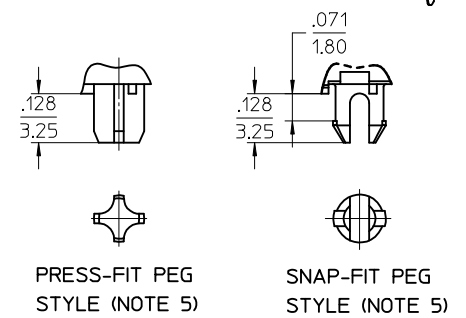
Email & Skype: info@chipsmall.com Web: www.chipsmall.com

Address: A1208, Overseas Decoration Building, #122 Zhenhua RD., Futian, Shenzhen, China





ISOMETRIC VIEW  
(NOT TO SCALE)

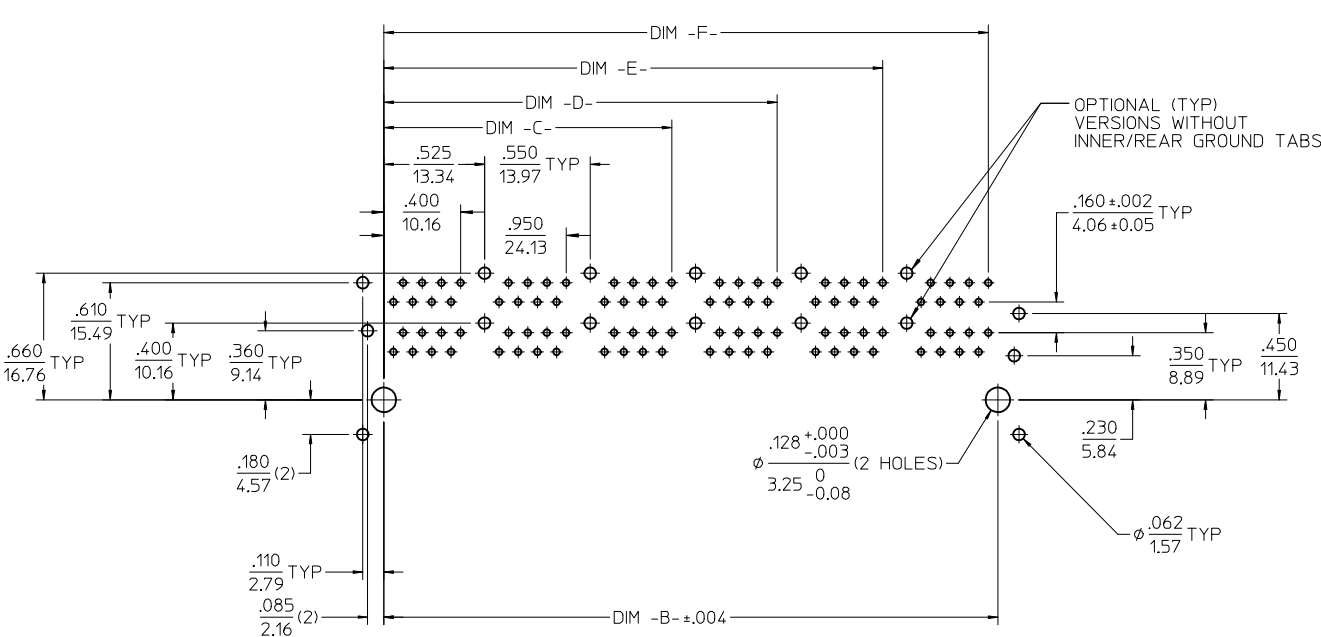


- NOTES:
- MATERIAL:  
HOUSING: POLYESTERIPBT, GLASS FILLED, UL94V-0, COLOR: BLACK  
TERMINALS: PHOSPHOR BRONZE  
SHIELD: BRASS
  - FINISH:  
TERMINALS:  
SELECT GOLD IN CONTACT AREA: 50 MICROINCHES MIN.,  
SELECT TIN IN PC TAIL AREA: 100 MICROINCHES MIN.,  
WITH OVERALL NICKEL UNDERPLATE: 50 MICROINCHES MIN.  
SHIELD:  
100 MICROINCHES NICKEL OVER 50 MICROINCHES COPPER UNDERPLATE  
PCB GROUND TABS DIPPED IN TIN
  - PRODUCT SPECIFICATION: PS-44050-003.
  - PACKAGING SPECIFICATION: CONNECTOR PACKAGED IN THERMOFORMED TRAYS PER PK-44520-003.
  - CONNECTORS AVAILABLE WITH EITHER SNAP-FIT OR PRESS-FIT PEGS.
  - CONFORMS TO FCC REGULATION PART 68.5 FOR MODULAR JACKS.
  - PCB LAYOUT AND PANEL CUT-OUT SHOWN ON SHEET (2) OF (2).
  - AVAILABLE WITH THE (8) PANEL GROUND TABS REMOVED ON EACH SIDE FOR SIDE TO SIDE STACKABILITY.
  - TERMINAL LENGTHS MAY BE DIFFERENT FROM TERMINAL TO TERMINAL.
  - THIS PART CONFORMS TO CLASS B REQUIREMENTS OF COSMETIC SPECIFICATION PS-45499-002 WITH THE EXCEPTION OF THE INDICATED SURFACE WHICH IS A CLASS C SURFACE.

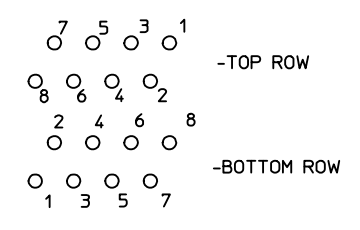
ASSEMBLY MATERIAL NUMBER	NUMBER OF PORTS	PEG STYLE	DIM -A-	DIM -B-	SIDE PANEL GROUND TABS	INNER/REAR GROUND TABS	
	44520-0001	8 (2 X 4)	SNAP-FIT	2.330/59.18	2.100/53.34	YES	YES
X	44520-2001	8 (2 X 4)	SNAP-FIT	2.330/59.18	2.100/53.34	NO	YES
X	44520-3001	8 (2 X 4)	SNAP-FIT	2.330/59.18	2.100/53.34	YES	NO
X	44520-4001	8 (2 X 4)	SNAP-FIT	2.330/59.18	2.100/53.34	NO	NO
	44520-0004	8 (2 X 4)	PRESS-FIT	2.330/59.18	2.100/53.34	YES	YES
X	44520-2004	8 (2 X 4)	PRESS-FIT	2.330/59.18	2.100/53.34	NO	YES
X	44520-3004	8 (2 X 4)	PRESS-FIT	2.330/59.18	2.100/53.34	YES	NO
X	44520-4004	8 (2 X 4)	PRESS-FIT	2.330/59.18	2.100/53.34	NO	NO
	44520-0002	12 (2 X 6)	SNAP-FIT	3.430/87.12	3.200/81.28	YES	YES
X	44520-2002	12 (2 X 6)	SNAP-FIT	3.430/87.12	3.200/81.28	NO	YES
X	44520-3002	12 (2 X 6)	SNAP-FIT	3.430/87.12	3.200/81.28	YES	NO
X	44520-4002	12 (2 X 6)	SNAP-FIT	3.430/87.12	3.200/81.28	NO	NO
	44520-0005	12 (2 X 6)	PRESS-FIT	3.430/87.12	3.200/81.28	YES	YES
X	44520-2005	12 (2 X 6)	PRESS-FIT	3.430/87.12	3.200/81.28	NO	YES
X	44520-3005	12 (2 X 6)	PRESS-FIT	3.430/87.12	3.200/81.28	YES	NO
X	44520-4005	12 (2 X 6)	PRESS-FIT	3.430/87.12	3.200/81.28	NO	NO

X = NOT TOOLED

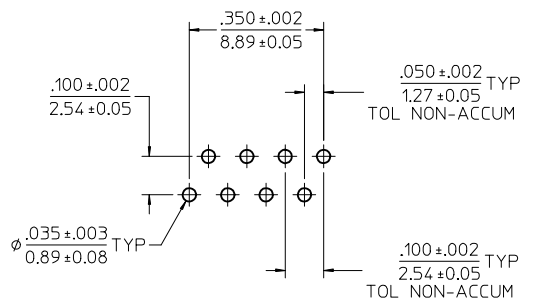
<b>OBsolete PN</b> EC NO: UCP2017-0798 DRWINAFENG02 2016/10/12 CHKD: APPR:KLANG 2016/10/17 REV:	QUALITY SYMBOLS	GENERAL TOLERANCES (UNLESS SPECIFIED)	DIMENSION STYLE <b>IN/MM</b>	SCALE <b>2:1</b>	DESIGN UNITS <b>INCH</b>	THIRD ANGLE PROJECTION	
	▽=0	4 PLACES ± --- ± ---	DRAWN BY MARGULIS	DATE 99/04/16	<b>STACKED MODULAR JACK CATEGORY 5</b>		
	▽=0	3 PLACES ± --- ± .010	CHECKED BY ROBERTS	DATE 99/04/18			
	▽=0	2 PLACES ± 0.25 ± ---	APPROVED BY ROBERTS	DATE 99/04/18	<b>molex</b>		
	1 PLACE ± --- ± ---	MATERIAL NO.	DOCUMENT NO.	<b>SD-44520-001</b>			
	0 PLACE ± ±	ANGULAR ±1/2°	<b>SEE CHART</b>		SHEET NO. 1 OF 2		
<b>D2</b>		DRAFT WHERE APPLICABLE MUST REMAIN WITHIN DIMENSIONS		THIS DRAWING CONTAINS INFORMATION THAT IS PROPRIETARY TO MOLEX INCORPORATED AND SHOULD NOT BE USED WITHOUT WRITTEN PERMISSION			



**PC BOARD LAYOUT: COMPONENT SIDE**  
**RECOMMENDED PCB THICKNESS: .062/1.57**  
**(12 PORT VERSION SHOWN)**  
 ALL DIMENSION TOLERANCES ARE ±.003/±.08  
 UNLESS SPECIFIED OTHERWISE



**MOLEX TRADITIONAL PIN LAYOUT (TYP)**



**TYP HOLE LAYOUT (EACH PORT)**



FROM TOP OF PCB  
 TO BOTTOM OF OPENING

**RECOMMENDED PANEL CUTOUT**

NUMBER OF PORTS	DIM -B-	DIM -C-	DIM -D-	DIM -E-	DIM -F-	DIM -I-
8 (2 X 4)	2,100/53.34	1,500/38.10	2,050/52.07			2,360/59.94
12 (2 X 6)	3,200/81.28	1,500/38.10	2,050/52.07	2,600/66.04	3,150/80.01	3,460/87.88

SEE SHEET 1	QUALITY SYMBOLS
EC NO: UCP2017-0798	▽=0
DRW:WAFENG02 2016/10/17	▽=0
CHKD: APPR:KLANG	▽=0
REV	

GENERAL TOLERANCES (UNLESS SPECIFIED)	
4 PLACES	± .10
3 PLACES	± .010
2 PLACES	± 0.25
1 PLACE	± .---
0 PLACE	± .---
ANGULAR ±1/2°	
DRAFT WHERE APPLICABLE MUST REMAIN WITHIN DIMENSIONS	

DIMENSION STYLE	
IN/MM	
DRAWN BY	DATE
MARGULIS	99/04/16
CHECKED BY	DATE
ROBERTS	99/04/18
APPROVED BY	DATE
ROBERTS	99/04/18
MATERIAL NO.	
SEE CHART	
SIZE C	

SCALE 2:1	DESIGN UNITS INCH	THIRD ANGLE PROJECTION
STACKED MODULAR JACK CATEGORY 5		
<b>molex</b>		
MATERIAL NO.	DOCUMENT NO.	SHEET NO.
SEE CHART	SD-44520-001	2 OF 2
THIS DRAWING CONTAINS INFORMATION THAT IS PROPRIETARY TO MOLEX INCORPORATED AND SHOULD NOT BE USED WITHOUT WRITTEN PERMISSION		