



Chipsmall Limited consists of a professional team with an average of over 10 year of expertise in the distribution of electronic components. Based in Hongkong, we have already established firm and mutual-benefit business relationships with customers from,Europe,America and south Asia,supplying obsolete and hard-to-find components to meet their specific needs.

With the principle of "Quality Parts,Customers Priority,Honest Operation,and Considerate Service",our business mainly focus on the distribution of electronic components. Line cards we deal with include Microchip,ALPS,ROHM,Xilinx,Pulse,ON,Everlight and Freescale. Main products comprise IC,Modules,Potentiometer,IC Socket,Relay,Connector.Our parts cover such applications as commercial,industrial, and automotives areas.

We are looking forward to setting up business relationship with you and hope to provide you with the best service and solution. Let us make a better world for our industry!



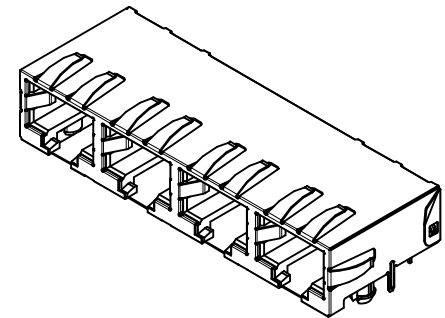
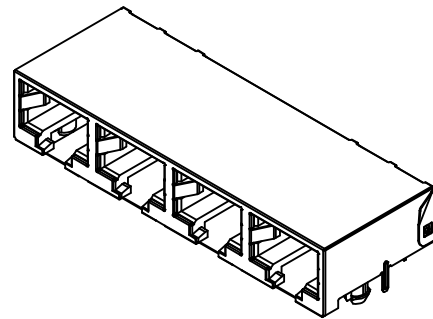
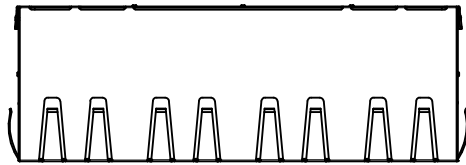
Contact us

Tel: +86-755-8981 8866 Fax: +86-755-8427 6832

Email & Skype: info@chipsmall.com Web: www.chipsmall.com

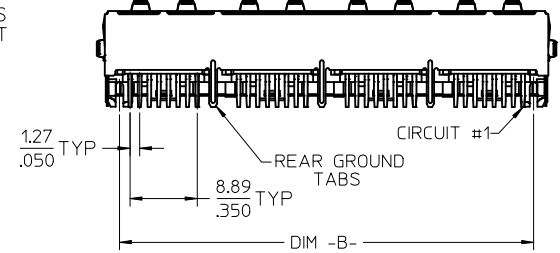
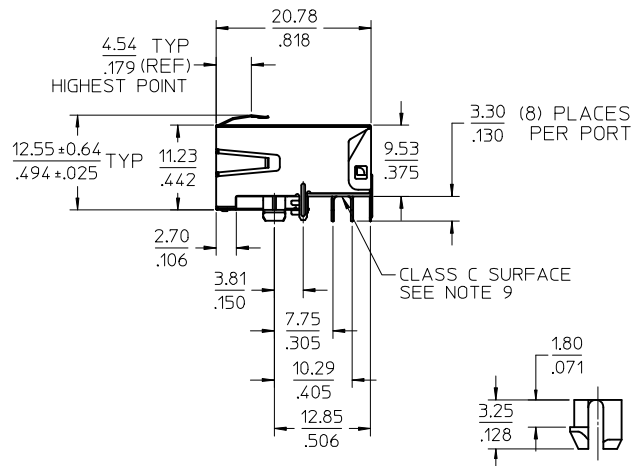
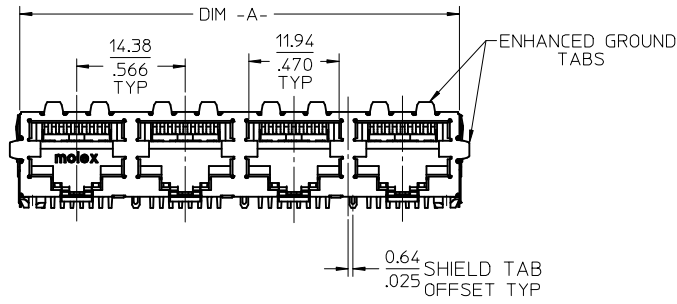
Address: A1208, Overseas Decoration Building, #122 Zhenhua RD., Futian, Shenzhen, China





SHIELDING OPTION -A-
STANDARD SHIELD
(SEE CHART)

SHIELDING OPTION -B-
ENHANCED GROUND TABS
(SEE CHART)



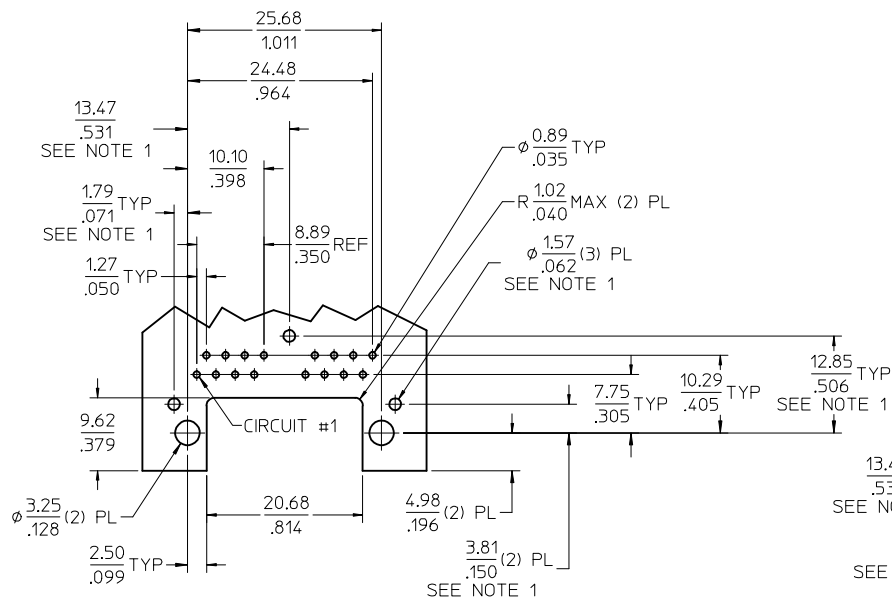
- NOTES:
1) MATERIAL:
HOUSING: NYLON(IPA), GLASS FILLED, UL94V-0, COLOR: BLACK
TERMINALS: PHOSPHOR BRONZE
SHIELD: BRASS, .007/(0.18) THICK
2) FINISH:
TERMINALS:
SELECT GOLD IN CONTACT AREA: 50 MICROINCHES (1.27 MICROMETERS) MIN.,
SELECT MATTE TIN IN PC TAIL AREA: 100 MICROINCHES (2.54 MICROMETERS) MIN.,
WITH OVERALL NICKEL UNDERPLATE: 50 MICROINCHES (1.27 MICROMETERS) MIN.
SHIELD:
100 MICROINCHES (2.54 MICROMETERS) NICKEL OVER 50 MICROINCHES
(1.27 MICROMETERS) COPPER UNDERPLATE; PCB GROUND TABS DIPPED IN TIN.
3) PRODUCT SPECIFICATION: PS-44560-003.
4) PACKAGING SPECIFICATION:
2 PORT: CONNECTOR PACKAGED IN TRAYS PER MOLEX PACKAGING SPECIFICATION
PK-44560-004
4 PORT: CONNECTOR PACKAGED IN TRAYS PER MOLEX PACKAGING SPECIFICATION
PK-44560-005
5) CONFORMS TO FCC REGULATION PART 68.5 FOR MODULAR JACKS.
6) ENHANCED GROUND TABS SHIELD (OPTION -B-) IS SHOWN IN THIS
DRAWING. (SEE CHART)
7) SEE SHEET (2) OF (2) FOR RECOMMENDED PANEL OPENING AND PCB LAYOUT.
8) CAT 5e PERFORMANCE IS NOT SPECIFIED FOR THIS MODULAR JACK BECAUSE
OF THE EVEN TERMINAL TAILS.
9) THIS PART CONFORMS TO CLASS B REQUIREMENTS OF COSMETIC
SPECIFICATION PS-45499-002 WITH THE EXCEPTION OF THE SURFACE
INDICATED, WHICH IS A CLASS C SURFACE.
10) THIS PRODUCT IS COMPLIANT TO RoHS DIRECTIVE 2002/95/EC AND ELV ANNEX
II OF DIRECTIVE 2000/53/EC.



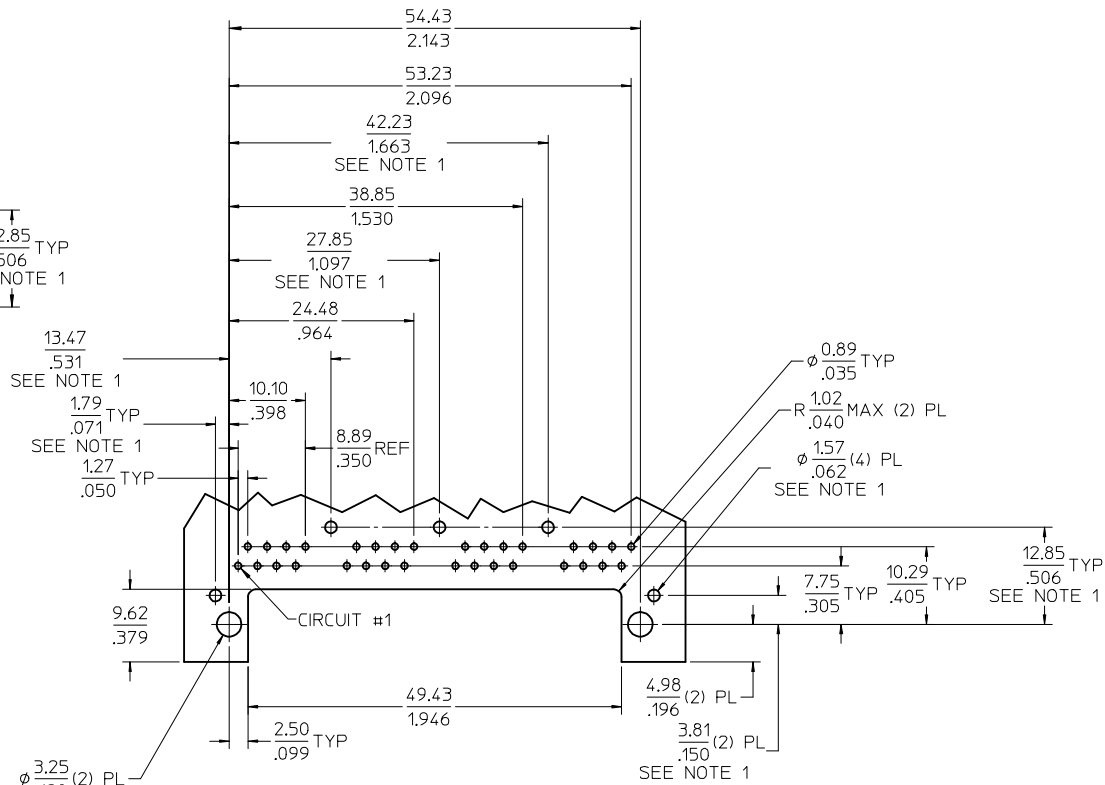
PEG DETAIL
SCALE 4:1

ASSEMBLY MATERIAL NUMBER	SHIELDING OPTION	NUMBER OF REAR GROUND TABS	NUMBER OF PORTS	DIM -A-	DIM -B-
445600112	B	1	2	29.44/1.159	25.68/1.011

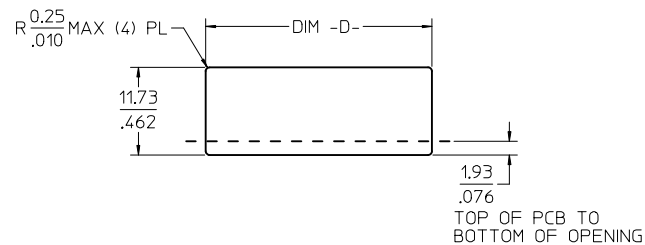
CREATE DWG EC NO: UCP2013-0627 DRW: NGUYEN CHKD: JELL APPR: FSMITH 2012/08/14 2012/08/14 2012/08/27	DESCRIPTION REV A	QUALITY SYMBOLS ∇=0 ∇=0 ∇=0	GENERAL TOLERANCES (UNLESS SPECIFIED) mm INCH 4 PLACES ± --- ± --- 3 PLACES ± --- ± .012 2 PLACES ± 0.30 ± --- 1 PLACE ± --- ± --- 0 PLACE ± ±	DIMENSION STYLE MM/IN DRAWN BY DATE NGUYEN 2012/08/14 CHECKED BY DATE JBELL 2012/08/14 APPROVED BY DATE FSMITH 2012/08/27	SCALE 2:1 DESIGN UNITS INCH THIRD ANGLE PROJECTION	COMPACT GANGED MODJACK EVEN TAILS molex	MATERIAL NO. SEE CHART DOCUMENT NO. RSD-44560-001	SHEET NO. 1 OF 2
		DRAFT WHERE APPLICABLE MUST REMAIN WITHIN DIMENSIONS			SIZE C	THIS DRAWING CONTAINS INFORMATION THAT IS PROPRIETARY TO MOLEX INCORPORATED AND SHOULD NOT BE USED WITHOUT WRITTEN PERMISSION		



2 PORT ASSEMBLY
PCB LAYOUT : COMPONENT SIDE
RECOMMENDED PCB THICKNESS: 1.57/.062
TOLERANCE ±.076/.003 UNLESS OTHERWISE SPECIFIED

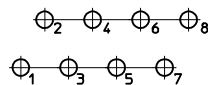


4 PORT ASSEMBLY
PCB LAYOUT : COMPONENT SIDE
RECOMMENDED PCB THICKNESS: 1.57/.062
TOLERANCE ±.076/.003 UNLESS OTHERWISE SPECIFIED



NUMBER OF PORTS	DIM -D-
2	30.20/1.189
4	58.95/2.321

RECOMMENDED
PANEL OPENING
SHIELDING OPTIONS
A AND B

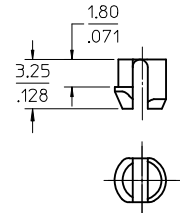
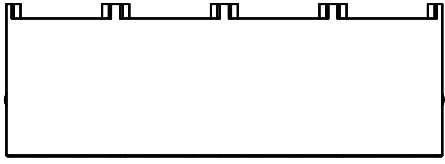


TYPICAL PC TERMINAL HOLE LAYOUT
SCALE 5:1

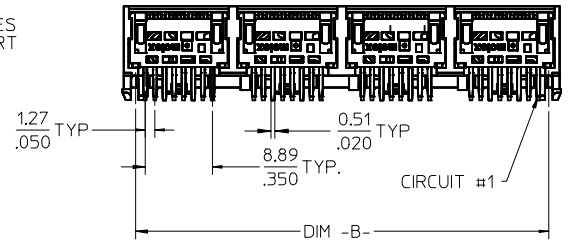
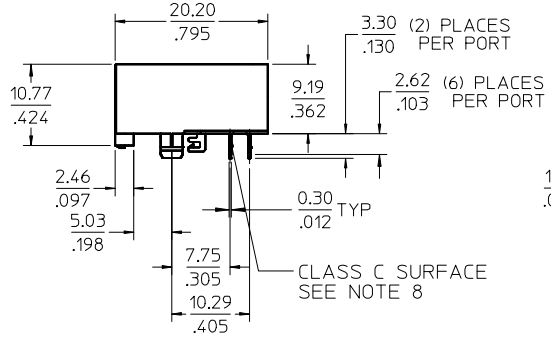
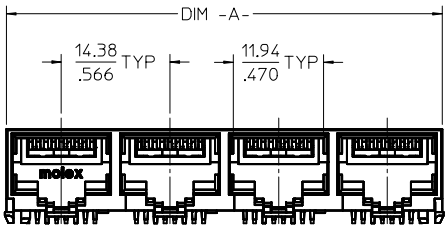
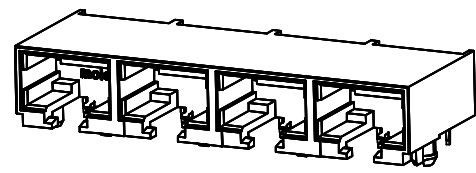
NOTES:

1. DIMENSIONS REFER TO ASSEMBLIES WITH SHIELDING OPTION

REV	DESCRIPTION	QUALITY SYMBOLS	GENERAL TOLERANCES (UNLESS SPECIFIED)		DIMENSION STYLE	SCALE	DESIGN UNITS	THIRD ANGLE PROJECTION
			mm	INCH	MM/IN	2:1	INCH	
SEE SHEET 1	EC NO: UCP2013-0627	▽=0	4 PLACES ±	±	DRAWN BY	DATE	TITLE	COMPACT GANGED MODJACK EVEN TAILS molex
A	DRWIN:NGUYEN 2012/08/14	▽=0	3 PLACES ±	±.012	NGUYEN	2012/08/14		
	CHKD:JBELL 2012/08/14	▽=0	2 PLACES ±	±.30	CHECKED BY	DATE		
	APPR:FSMITH 2012/08/27	▽=0	1 PLACE ±	±	JBELL	2012/08/14		
			0 PLACE ±	±	APPROVED BY	DATE	DOCUMENT NO.	SHEET NO.
			ANGULAR ±1/2°		FSMITH	2012/08/27	RSD-44560-001	2 OF 2
			DRAFT WHERE APPLICABLE MUST REMAIN WITHIN DIMENSIONS		SEE SHEET 1		THIS DRAWING CONTAINS INFORMATION THAT IS PROPRIETARY TO MOLEX INCORPORATED AND SHOULD NOT BE USED WITHOUT WRITTEN PERMISSION	



PEG DETAIL
SCALE 4:1



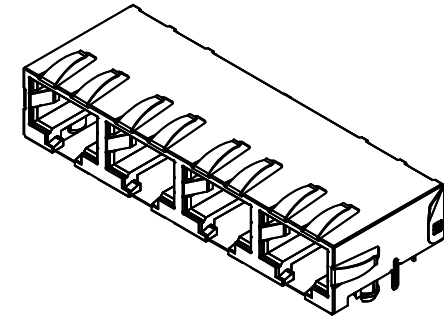
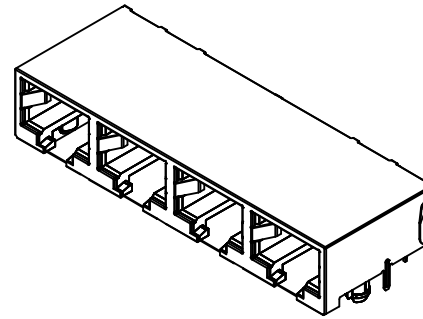
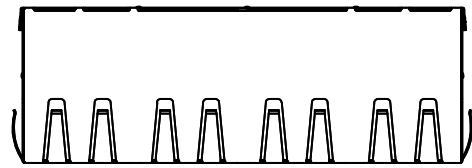
- NOTES:
 1) MATERIAL:
 HOUSING: NYLON(PA), GLASS FILLED, UL94V-0, COLOR: BLACK
 TERMINALS: PHOSPHOR BRONZE
 2) FINISH:
 TERMINALS:
 SELECT GOLD IN CONTACT AREA: 50 MICROINCHES (1.27 MICROMETERS) MIN.
 SELECT MATTE TIN IN PC TAIL AREA: 100 MICROINCHES (2.54 MICROMETERS) MIN.
 WITH OVERALL NICKEL UNDERPLATE: 50 MICROINCHES (1.27 MICROMETERS) MIN.
 3) PRODUCT SPECIFICATION AND PROCESSING PARAMETERS: PS-44560-003.
 4) PACKAGING SPECIFICATION:
 2 PORT: CONNECTOR PACKAGED IN TRAYS PER MOLEX PACKAGING SPECIFICATION PK-44560-004
 4 PORT: CONNECTOR PACKAGED IN TRAYS PER MOLEX PACKAGING SPECIFICATION PK-44560-005
 5) CONFORMS TO FCC REGULATION PART 68.5 FOR MODULAR JACKS.
 6) SEE SHEET (4) OF (4) FOR RECOMMENDED PANEL OPENING AND PCB LAYOUT.
 7) TERMINAL LENGTHS MAY BE DIFFERENT FROM TERMINAL TO TERMINAL.
 8) THIS PART CONFORMS TO CLASS B REQUIREMENTS OF COSMETIC SPECIFICATION PS-45499-002 WITH THE EXCEPTION OF THE SURFACE INDICATED, WHICH IS A CLASS C SURFACE.
 9) THIS PRODUCT IS COMPLIANT TO RoHS DIRECTIVE 2002/95/EC AND ELV ANNEX II OF DIRECTIVE 2000/53/EC.

ASSEMBLY MATERIAL NUMBER	NUMBER OF PORTS	DIM -A-	DIM -B-
445600001	2	28.96/1.140	25.68/1.011
445600003	4	57.71/2.272	54.43/2.143

REV	DESCRIPTION	DATE	APPR	CHKD	DRWN	EC NO	PN
G5		2016/10/17				2016/10/10	OBsolete PN
		2016/10/17				2016/10/10	DRWN:AFENG02
		2016/10/17				2016/10/10	CHKD:G5

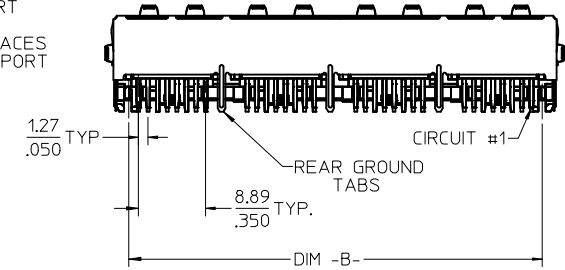
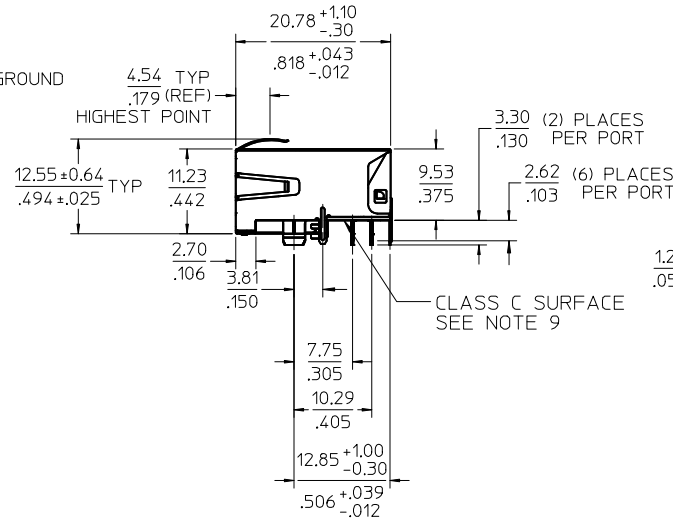
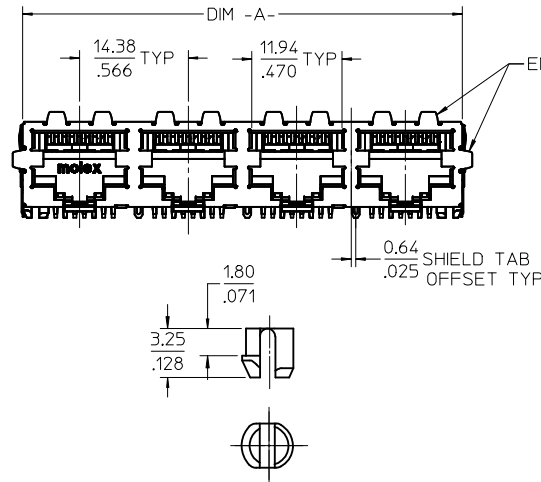
QUALITY SYMBOLS		GENERAL TOLERANCES (UNLESS SPECIFIED)	
mm	INCH	mm	INCH
4 PLACES ± .012	± .0005	3 PLACES ± .012	± .0005
2 PLACES ± 0.30	± .012	1 PLACE ± .012	± .0005
0 PLACE ±	±		
ANGULAR ±1/2°		DRAFT WHERE APPLICABLE MUST REMAIN WITHIN DIMENSIONS	

DIMENSION STYLE		SCALE	DESIGN UNITS	THIRD ANGLE PROJECTION
MM/IN		2:1	INCH	
DRAWN BY MKAMAR		DATE 00/03/28		COMPACT GANGED CATEGORY 5E MODJACK molex
CHECKED BY MKAMAR		DATE 00/03/28		
APPROVED BY JROBERTS		DATE 00/03/28		
MATERIAL NO. SEE CHART		DOCUMENT NO. SD-44560-001		SHEET NO. 1 OF 4
THIS DRAWING CONTAINS INFORMATION THAT IS PROPRIETARY TO MOLEX INCORPORATED AND SHOULD NOT BE USED WITHOUT WRITTEN PERMISSION				



SHIELDING OPTION -A-
STANDARD SHIELD
(SEE CHART)

SHIELDING OPTION -B-
ENHANCED GROUND TABS
(SEE CHART)



PEG DETAIL
SCALE 4:1

- NOTES:
- MATERIAL:
HOUSING: NYLON(PA), GLASS FILLED, UL94V-0, COLOR: BLACK
TERMINALS: PHOSPHOR BRONZE
SHIELD: BRASS, .0077(0,18) THICK
 - FINISH:
TERMINALS:
SELECT GOLD IN CONTACT AREA: 50 MICROINCHES (1.27 MICROMETERS) MIN.,
SELECT MATTE TIN IN PC TAIL AREA: 100 MICROINCHES (2.54 MICROMETERS) MIN.,
WITH OVERALL NICKEL UNDERPLATE: 50 MICROINCHES (1.27 MICROMETERS) MIN.
SHIELD:
100 MICROINCHES (2.54 MICROMETERS) NICKEL OVER 50 MICROINCHES
(1.27 MICROMETERS) COPPER UNDERPLATE; PCB GROUND TABS DIPPED IN TIN.
 - PRODUCT SPECIFICATION AND PROCESSING PARAMETERS: PS-44560-003.
 - PACKAGING SPECIFICATION:
2 PORT: CONNECTOR PACKAGED IN TRAYS PER MOLEX PACKAGING SPECIFICATION
PK-44560-004
4 PORT: CONNECTOR PACKAGED IN TRAYS PER MOLEX PACKAGING SPECIFICATION
PK-44560-005
 - CONFORMS TO FCC REGULATION PART 68.5 FOR MODULAR JACKS.
 - ENHANCED GROUND TABS SHIELD (OPTION -B-) IS SHOWN IN THIS DRAWING. (SEE CHART)
 - SEE SHEET (4) OF (4) FOR RECOMMENDED PANEL OPENING AND PCB LAYOUT.
 - TERMINAL LENGTHS MAY BE DIFFERENT FROM TERMINAL TO TERMINAL.
 - THIS PART CONFORMS TO CLASS B REQUIREMENTS OF COSMETIC SPECIFICATION PS-45499-002 WITH THE EXCEPTION OF THE SURFACE INDICATED, WHICH IS A CLASS C SURFACE.
 - THIS PRODUCT IS COMPLIANT TO RoHS DIRECTIVE 2002/95/EC AND ELV ANNEX II OF DIRECTIVE 2000/53/EC.

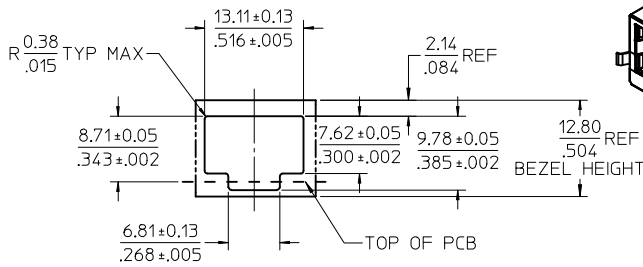
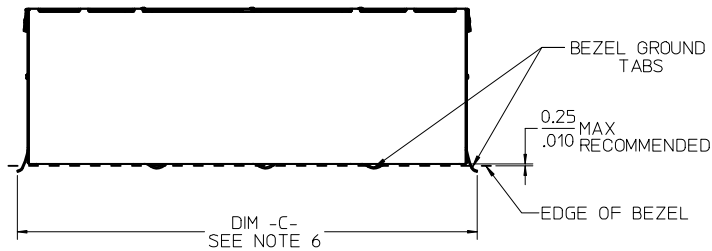
ASSEMBLY MATERIAL NUMBER	SHIELDING OPTION	NUMBER OF REAR GROUND TABS	NUMBER OF PORTS	DIM -A-	DIM -B-
445600002	A	1	2	29.44/1.159	25.68/1.011
445600004	A	3	4	58.19/2.291	54.43/2.143
445600012	B	1	2	29.44/1.159	25.68/1.011
445600014	B	3	4	58.19/2.291	54.43/2.143

SEE SHEET 1 EC NO: UCP2017-0798 DRW:AFENG02 2016/10/10 CHKD: APPR:KLANG 2016/10/17	QUALITY SYMBOLS ▽=0 ▽=0 ▽=0	GENERAL TOLERANCES (UNLESS SPECIFIED)		DIMENSION STYLE MM/IN		SCALE 2:1	DESIGN UNITS INCH	THIRD ANGLE PROJECTION
		mm		INCH		DRAWN BY MKAMAR		DATE 00/03/28
		4 PLACES ± --- ± ---		3 PLACES ± --- ± .012		CHECKED BY MKAMAR		DATE 00/03/28
		2 PLACES ± 0.30 ± ---		1 PLACE ± --- ± ---		APPROVED BY JROBERTS		DATE 00/03/28
0 PLACE ± ±		ANGULAR ±1/2°		MATERIAL NO.		DOCUMENT NO.		
DRAFT WHERE APPLICABLE MUST REMAIN WITHIN DIMENSIONS		SEE CHART		SEE CHART		SD-44560-001		
G5		SIZE C		THIS DRAWING CONTAINS INFORMATION THAT IS PROPRIETARY TO MOLEX INCORPORATED AND SHOULD NOT BE USED WITHOUT WRITTEN PERMISSION				

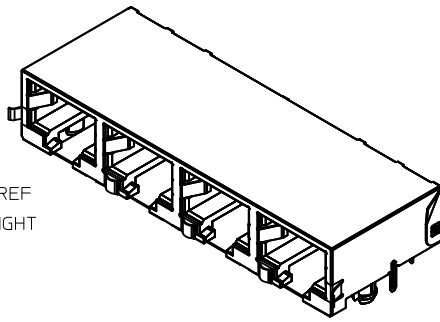
COMPACT GANGED
CATEGORY 5E MODJACK

molex

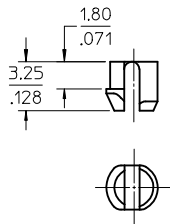
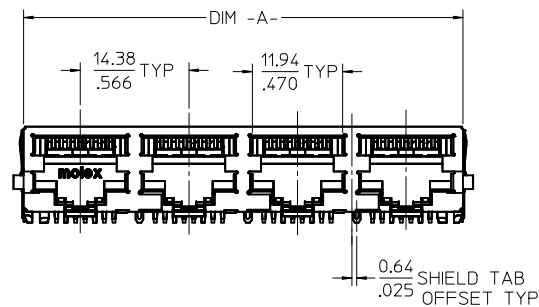
SHEET NO.
2 OF 4



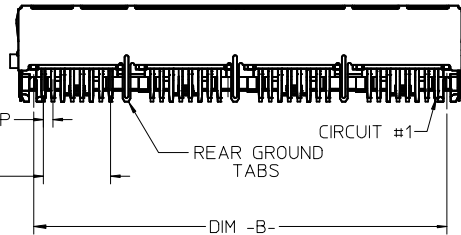
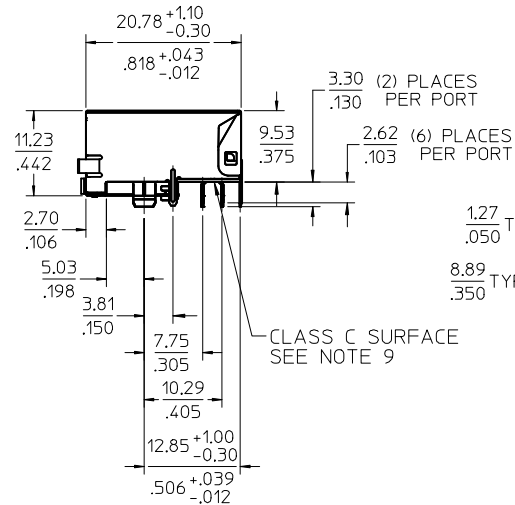
RECOMMENDED
PANEL OPENING
(EACH PORT)
FOR PMC BEZEL ONLY



SHIELDING OPTION -C-
BEZEL GROUND TABS



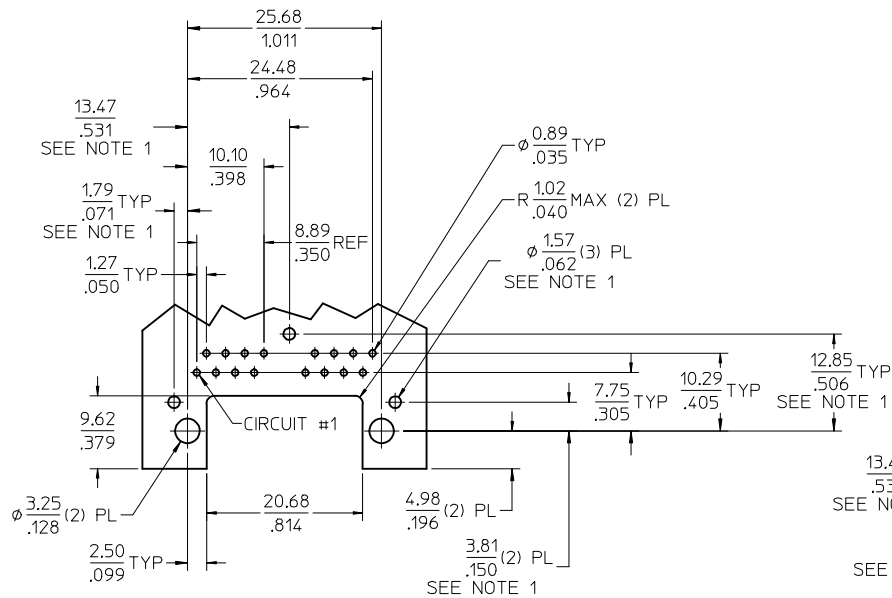
PEG DETAIL
SCALE 4:1



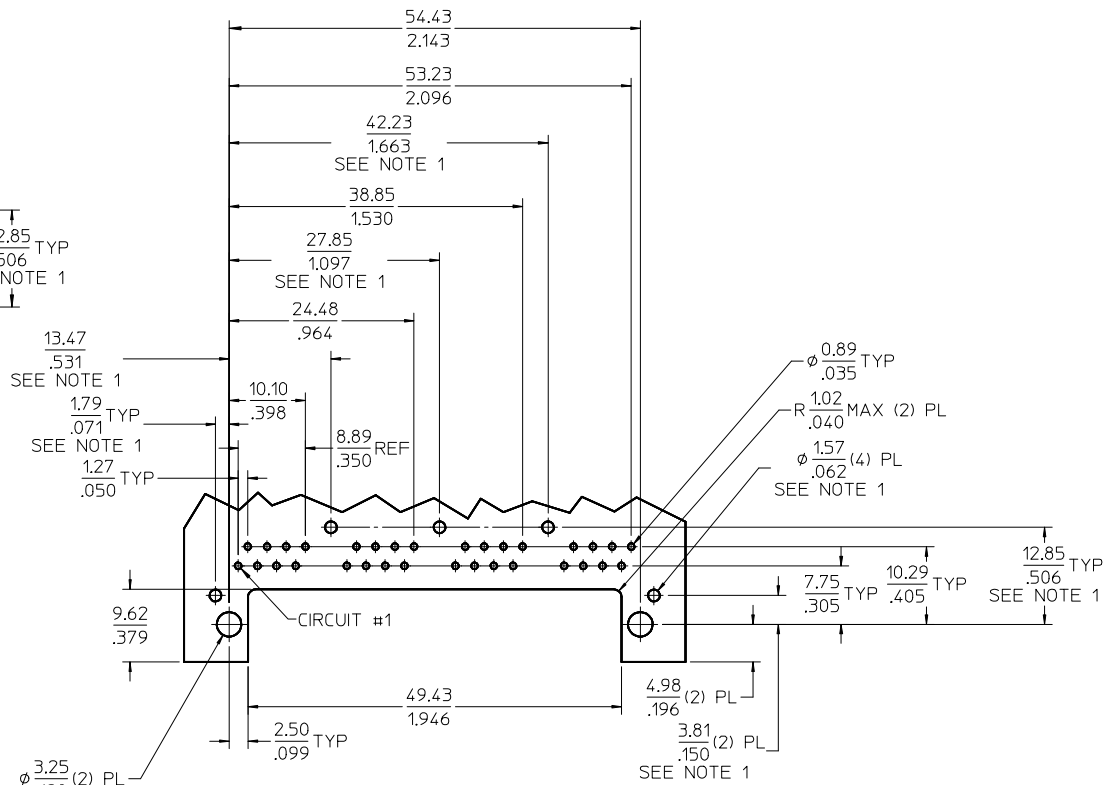
- NOTES:
- MATERIAL:
HOUSING: NYLON(IPA), GLASS FILLED, UL94V-0, COLOR: BLACK
TERMINALS: PHOSPHOR BRONZE
SHIELD: BRASS, .007/(0.18) THICK
 - FINISH:
TERMINALS:
SELECT GOLD IN CONTACT AREA: 50 MICROINCHES (1.27 MICROMETERS) MIN.
SELECT MATTE TIN IN PC TAIL AREA: 100 MICROINCHES (2.54 MICROMETERS) MIN.
WITH OVERALL NICKEL UNDERPLATE: 50 MICROINCHES (1.27 MICROMETERS) MIN.
SHIELD:
100 MICROINCHES (2.54 MICROMETERS) NICKEL OVER 50 MICROINCHES (1.27 MICROMETERS) COPPER UNDERPLATE, PCB GROUND TABS DIPPED IN TIN.
 - PRODUCT SPECIFICATION AND PROCESSING PARAMETERS: PS-44560-003.
 - PACKAGING SPECIFICATION:
2 PORT: CONNECTOR PACKAGED IN TRAYS PER MOLEX PACKAGING SPECIFICATION PK-44560-004
4 PORT: CONNECTOR PACKAGED IN TRAYS PER MOLEX PACKAGING SPECIFICATION PK-44560-005
 - CONFORMS TO FCC REGULATION PART 68.5 FOR MODULAR JACKS.
 - THIS DIMENSION HAS A MAXIMUM OF 34.82/1.371 FOR THE (2) PORT PART AND 63.57/2.503 FOR THE (4) PORT PART WHEN THE JACK IS INSTALLED BEHIND THE BEZEL.
 - SEE SHEET (4) OF (4) FOR RECOMMENDED PCB LAYOUT.
 - TERMINAL LENGTHS MAY BE DIFFERENT FROM TERMINAL TO TERMINAL.
 - THIS PART CONFORMS TO CLASS B REQUIREMENTS OF COSMETIC SPECIFICATION PS-45499-002 WITH THE EXCEPTION OF THE SURFACE INDICATED, WHICH IS A CLASS C SURFACE.
 - THIS PRODUCT IS COMPLIANT TO RoHS DIRECTIVE 2002/95/EC AND ELV ANNEX II OF DIRECTIVE 2000/53/EC.

*X=NOT TOOLED	ASSEMBLY MATERIAL NUMBER	SHIELDING OPTION	NUMBER OF REAR GROUND TABS	NUMBER OF PORTS	DIM -A-	DIM -B-	DIM -C-
X	445600022	C	1	2	29.44/1.159	25.68/1.011	32.13/1.265
	445600024	C	3	4	58.19/2.291	54.43/2.143	60.88/2.397

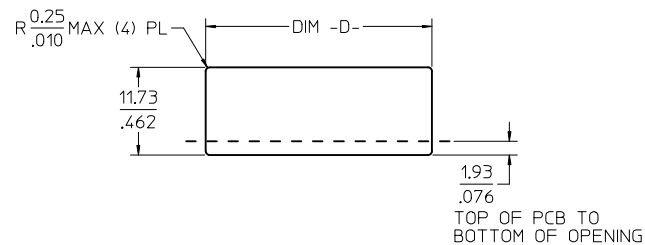
SEE SHEET 1 EC NO: UCP2017-0798 DRW:AFENG02 2016/10/10 CHKD: APPR:KLANG 2016/10/17	QUALITY SYMBOLS ▽=0 ▽=0 ▽=0	GENERAL TOLERANCES (UNLESS SPECIFIED)		DIMENSION STYLE MM/IN		SCALE 2:1	DESIGN UNITS INCH	THIRD ANGLE PROJECTION	
		4 PLACES ±	±	DRAWN BY MKAMAR	DATE 00/03/28	COMPACT GANGED CATEGORY 5E MODJACK molex DOCUMENT NO. SD-44560-001 SHEET NO. 3 OF 4			
		3 PLACES ±	±.012	CHECKED BY	DATE				
		2 PLACES ±	±.030	APPROVED BY	DATE				
1 PLACE ±	±	MATERIAL NO.	DATE						
		0 PLACE ±	±	ANGULAR ±1/2°		SEE CHART			
DRAFT WHERE APPLICABLE MUST REMAIN WITHIN DIMENSIONS		SIZE C		THIS DRAWING CONTAINS INFORMATION THAT IS PROPRIETARY TO MOLEX INCORPORATED AND SHOULD NOT BE USED WITHOUT WRITTEN PERMISSION					



2 PORT ASSEMBLY
PCB LAYOUT : COMPONENT SIDE
RECOMMENDED PCB THICKNESS: 1.57/.062
TOLERANCE ±.076/.003 UNLESS OTHERWISE SPECIFIED

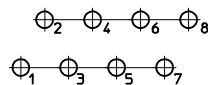


4 PORT ASSEMBLY
PCB LAYOUT : COMPONENT SIDE
RECOMMENDED PCB THICKNESS: 1.57/.062
TOLERANCE ±.076/.003 UNLESS OTHERWISE SPECIFIED



NUMBER OF PORTS	DIM -D-
2	30.20/1.189
4	58.95/2.321

RECOMMENDED
PANEL OPENING
SHIELDING OPTIONS
A AND B



TYPICAL PC TERMINAL HOLE LAYOUT
SCALE 5:1

NOTES:

1. DIMENSIONS REFER TO ASSEMBLIES WITH SHIELDING OPTION

SEE SHEET 1 EC NO: UCP2017-0798 IDRWNAFENG02 2016/10/10 CHKD: APPR:KLANG G5	QUALITY SYMBOLS 	GENERAL TOLERANCES (UNLESS SPECIFIED)		DIMENSION STYLE MM/IN		SCALE 2:1	DESIGN UNITS INCH	THIRD ANGLE PROJECTION																				
		<table border="1"> <thead> <tr> <th></th> <th>mm</th> <th>INCH</th> </tr> </thead> <tbody> <tr> <td>4 PLACES</td> <td>± .125</td> <td>± .005</td> </tr> <tr> <td>3 PLACES</td> <td>± .125</td> <td>± .012</td> </tr> <tr> <td>2 PLACES</td> <td>± .30</td> <td>± .015</td> </tr> <tr> <td>1 PLACE</td> <td>± .50</td> <td>± .020</td> </tr> <tr> <td>0 PLACE</td> <td>±</td> <td>±</td> </tr> </tbody> </table>			mm	INCH	4 PLACES	± .125	± .005	3 PLACES	± .125	± .012	2 PLACES	± .30	± .015	1 PLACE	± .50	± .020	0 PLACE	±	±	DRAWN BY MKAMAR	DATE 00/03/28	TITLE COMPACT GANGED CATEGORY 5E MODJACK				SHEET NO. 4 OF 4
			mm	INCH																								
		4 PLACES	± .125	± .005																								
3 PLACES	± .125	± .012																										
2 PLACES	± .30	± .015																										
1 PLACE	± .50	± .020																										
0 PLACE	±	±																										
ANGULAR ±1/2° DRAFT WHERE APPLICABLE MUST REMAIN WITHIN DIMENSIONS		CHECKED BY MKAMAR	DATE 00/03/28	APPROVED BY JROBERTS DATE 00/03/28		DOCUMENT NO. SD-44560-001																						
MATERIAL NO. SEE CHART		SIZE C		THIS DRAWING CONTAINS INFORMATION THAT IS PROPRIETARY TO MOLEX INCORPORATED AND SHOULD NOT BE USED WITHOUT WRITTEN PERMISSION																								