



Chipsmall Limited consists of a professional team with an average of over 10 year of expertise in the distribution of electronic components. Based in Hongkong, we have already established firm and mutual-benefit business relationships with customers from,Europe,America and south Asia,supplying obsolete and hard-to-find components to meet their specific needs.

With the principle of "Quality Parts,Customers Priority,Honest Operation,and Considerate Service",our business mainly focus on the distribution of electronic components. Line cards we deal with include Microchip,ALPS,ROHM,Xilinx,Pulse,ON,Everlight and Freescale. Main products comprise IC,Modules,Potentiometer,IC Socket,Relay,Connector.Our parts cover such applications as commercial,industrial, and automotives areas.

We are looking forward to setting up business relationship with you and hope to provide you with the best service and solution. Let us make a better world for our industry!



Contact us

Tel: +86-755-8981 8866 Fax: +86-755-8427 6832

Email & Skype: info@chipsmall.com Web: www.chipsmall.com

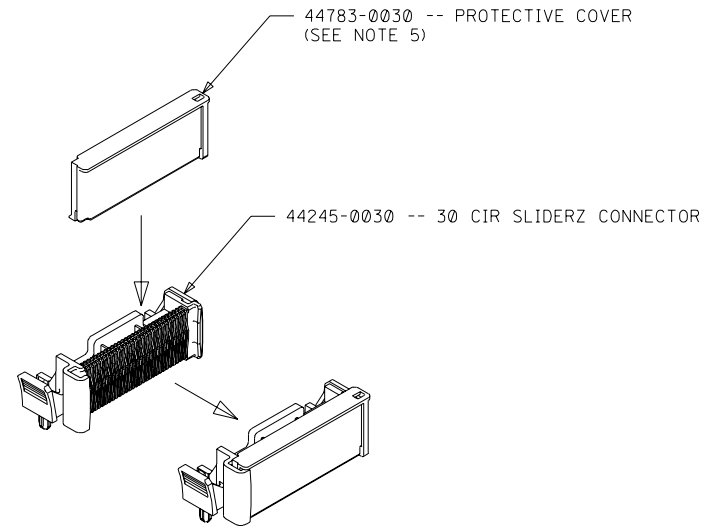
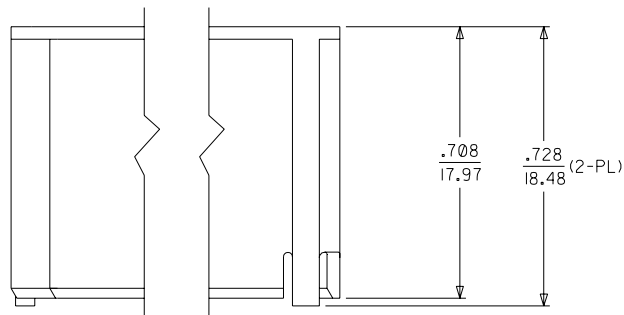
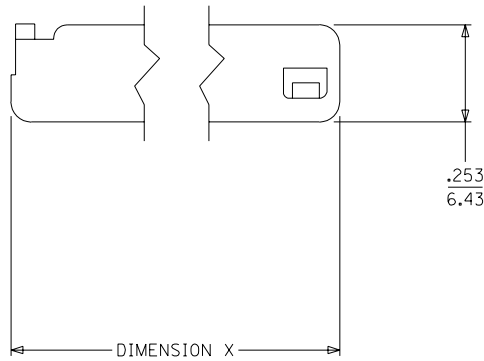
Address: A1208, Overseas Decoration Building, #122 Zhenhua RD., Futian, Shenzhen, China



NOTES:

1. MATERIAL: 66 NYLON, COLOR = BLACK.
2. FINISH: NOT APPLICABLE.
3. PRODUCT SPECIFICATION: NOT APPLICABLE.
4. DIMENSIONS AND FEATURES PLACED ACROSS A CENTERLINE TO BE SYMMETRIC ABOUT THAT CENTERLINE TO WITHIN .004"/0.10mm TOTAL.
5. THE PROTECTIVE COVER IS CAREFULLY PUSHED ONTO THE SLIDERZ CONNECTOR UNTIL THE LATCHING MEMBERS ENGAGE, WHICH IS SIGNALLED BY A "SNAP."

MATERIAL NUMBER	DIMENSION X	DESCRIPTION
447830010	.856"/21.74mm	PROTECTIVE COVER FOR THE 10 CIRCUIT SLIDERZ
447830020	1.356"/34.44mm	CONTACT FACTORY FOR AVAILABILITY -- PROTECTIVE COVER FOR THE 20 CIRCUIT SLIDERZ
447830030	1.856"/47.14mm	CONTACT FACTORY FOR AVAILABILITY -- PROTECTIVE COVER FOR THE 30 CIRCUIT SLIDERZ
447830040	2.356"/59.84mm	CONTACT FACTORY FOR AVAILABILITY -- PROTECTIVE COVER FOR THE 40 CIRCUIT SLIDERZ
447830050	2.856"/72.54mm	CONTACT FACTORY FOR AVAILABILITY -- PROTECTIVE COVER FOR THE 50 CIRCUIT SLIDERZ
447830060	3.356"/85.24mm	CONTACT FACTORY FOR AVAILABILITY -- PROTECTIVE COVER FOR THE 60 CIRCUIT SLIDERZ



ISOMETRIC PROJECTION OF 44783 AND ITS APPLICATION
(NO SCALE)

REVISED EC NO. UICP2003-0626 DRW:PELOZA 02/10/11 CHK: PELOZA 02/10/11 APPR:COMERCI 02/10/11	QUALITY SYMBOLS MAJOR CRITICAL DESCRIPTION	GENERAL TOLERANCES: (UNLESS SPECIFIED)		SCALE 4 : 1	DESIGN UNITS <input type="checkbox"/> mm <input checked="" type="checkbox"/> INCH	DIMENSIONS: <input type="checkbox"/> mm <input checked="" type="checkbox"/> INCH <input type="checkbox"/> mm ONLY	SHT REV
		4 PLACES ±0.--- ±.--- 3 PLACES ±0.--- ±.010 2 PLACES ±0.25 ±.015 1 PLACE ±0.38 ±.---	DRAWN BY & DATE PELOZA 00/08/16	THIRD ANGLE PROJECTION		TITLE: PROTECTIVE COVER FOR SLIDERZ	
REV	DESCRIPTION	ANGULAR: ±1 °		CHECKED BY & DATE PELOZA 00/08/16	APPROVED BY & DATE COMERCI 00/08/16		MATERIAL NO. SEE CHART SD -44783-001
DRAFT WHERE APPLICABLE MUST REMAIN WITHIN DIMENSIONS		CAD FILENAME		MOLEX INCORPORATED		DRAWING NO. SD -44783-001	SHEET NO. 1 OF 1
THIS DRAWING CONTAINS INFORMATION THAT IS PROPRIETARY TO MOLEX INCORPORATED AND SHOULD NOT BE USED WITHOUT WRITTEN PERMISSION.							SIZE C