



Chipsmall Limited consists of a professional team with an average of over 10 year of expertise in the distribution of electronic components. Based in Hongkong, we have already established firm and mutual-benefit business relationships with customers from,Europe,America and south Asia,supplying obsolete and hard-to-find components to meet their specific needs.

With the principle of “Quality Parts,Customers Priority,Honest Operation,and Considerate Service”,our business mainly focus on the distribution of electronic components. Line cards we deal with include Microchip,ALPS,ROHM,Xilinx,Pulse,ON,Everlight and Freescale. Main products comprise IC,Modules,Potentiometer,IC Socket,Relay,Connector.Our parts cover such applications as commercial,industrial, and automotives areas.

We are looking forward to setting up business relationship with you and hope to provide you with the best service and solution. Let us make a better world for our industry!



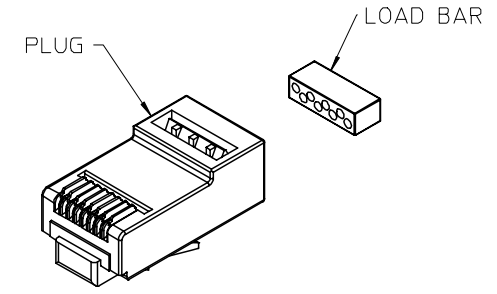
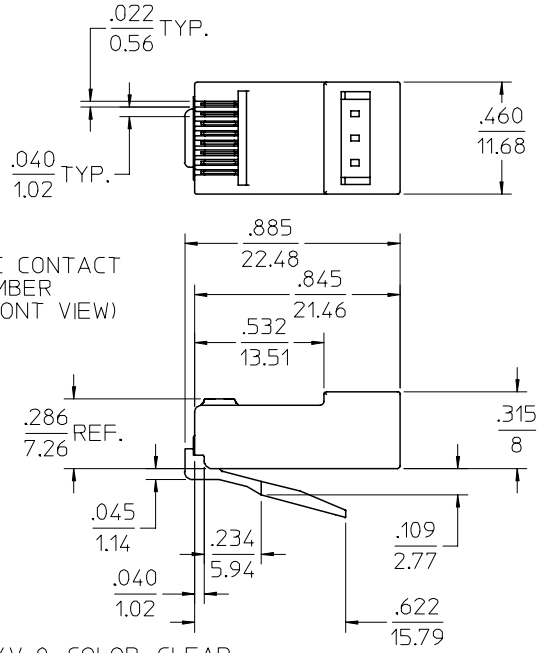
## Contact us

Tel: +86-755-8981 8866 Fax: +86-755-8427 6832

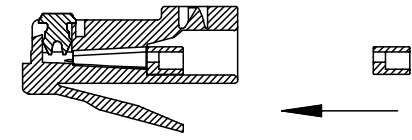
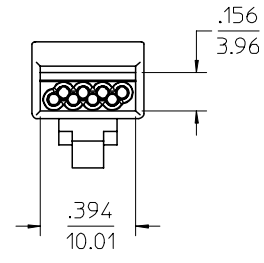
Email & Skype: info@chipsmall.com Web: www.chipsmall.com

Address: A1208, Overseas Decoration Building, #122 Zhenhua RD., Futian, Shenzhen, China





ISOMETRIC VIEW  
(NOT TO SCALE)



- NOTES:
- MATERIAL:  
PLUG: POLYCARBONATE, 94V-0, COLOR: CLEAR,  
LOAD BAR: POLYCARBONATE, 94V-0, COLOR: CLEAR,  
CONTACTS: PHOSPHOR BRONZE.
  - CONTACT PLATING:  
50 MICROINCHES / 1.27 MICROMETERS MIN. SELECT GOLD OVER  
100 MICROINCHES / 2.54 MICROMETERS MIN. NICKEL UNDERPLATE.
  - PRODUCT SPECIFICATION: PS-44915-003
  - PACKAGING SPECIFICATION:  
ALL PARTS ARE BULK PACKED PER MOLEX PACKAGING  
SPECIFICATION PK-44915-003.
  - FOR USE WITH 22 TO 28 AWG SOLID OR STRANDED  
CONDUCTORS WITH AN INSULATION O.D. RANGE OF .037/0.94 -  
.042/1.07 AND A JACKET O.D. OF .217/5.5 - .256/6.5.
  - EIGHT CONDUCTOR MODULAR PLUG, CONFORMS TO F.C.C.  
REGULATION PART 68.5 FOR MODULAR PLUGS.
  - PLUG REQUIRES THE LOAD BAR.
  - ALL UNTOLERANCED DIMENSIONS ARE FOR REFERENCE ONLY.
  - PLUG EXCEEDS CATEGORY 5 EIA/TIA 2840, ANNEX B  
SPECIFICATION, PERFORMANCE TUNED TO CABLES MEETING  
PROPOSED CATEGORY 6 SPECIFICATIONS.
  - THE PRIMARY SHIPPING CARTON WILL BE LABELED "COMPLIANT  
TO RoHS DIRECTIVE 2002/95/EC AND ELV ANNEX II OF  
DIRECTIVE 2000/53/EC". CARTONS WITHOUT THIS LABEL  
MAY NOT BE COMPLIANT.
  - THIS PART CONFORMS TO CLASS B REQUIREMENTS OF  
COSMETIC SPECIFICATION PS-45499-002.

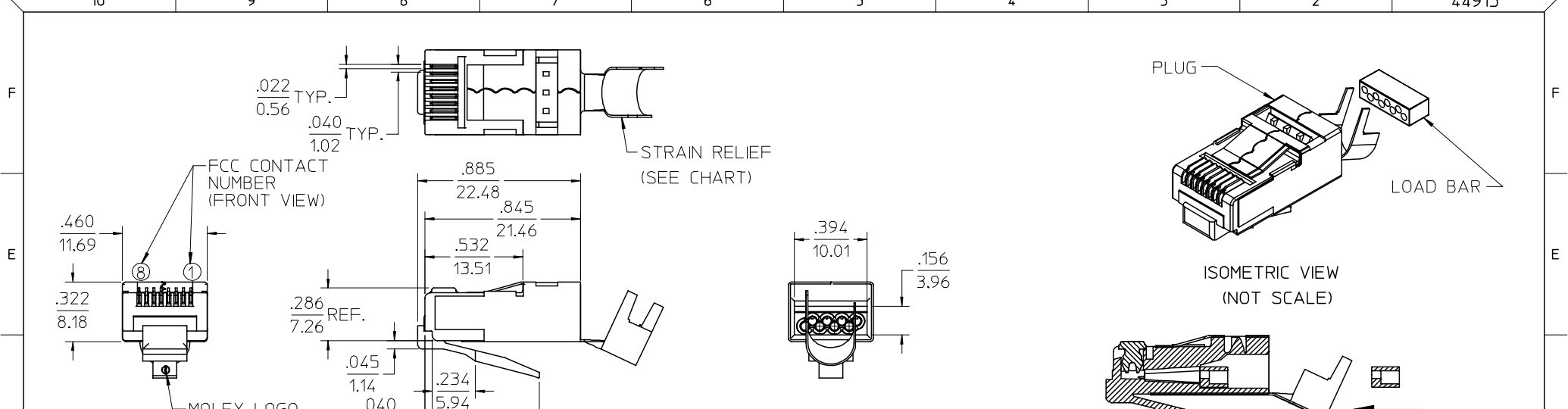
MATERIAL NUMBER	MOLEX LOGO
449150001	YES
449150002	NO
SCALE 2:1	DESIGN UNITS INCH
THIRD ANGLE PROJECTION	

UPDATE NOTE 5	QUALITY SYMBOLS
EC NO: UCP2007-1736	▽=0
DRW: JRELL 2007/01/29	▽=0
CHK: DLSCHM1DT 2007/01/30	
APP: FSWJTH 2007/02/01	
REV	DESCRIPTION
A5	

GENERAL TOLERANCES (UNLESS SPECIFIED)	
	INCH
4 PLACES	± .005
3 PLACES	± .004
2 PLACES	± .003
1 PLACE	± .002
ANGULAR ±1/2°	
DRAFT WHERE APPLICABLE MUST REMAIN WITHIN DIMENSIONS	

DIMENSION STYLE IN/MM	
DRAWN BY	DATE
MARGUL IS	01/01/12
CHECKED BY	DATE
MARGUL IS	01/01/12
APPROVED BY	DATE
COMERC I	01/01/12
MATERIAL NO. SEE CHART	
SIZE	B

TITLE RJ-45 PLUG FOR PROPOSED CAT 6 SPECIFICATIONS	
MOLEX INCORPORATED	
DOCUMENT NO. SD-44915-001	SHEET NO. 1 OF 2
THIS DRAWING CONTAINS INFORMATION THAT IS PROPRIETARY TO MOLEX INCORPORATED AND SHOULD NOT BE USED WITHOUT WRITTEN PERMISSION	



- NOTES:
- MATERIAL:  
 PLUG: POLYCARBONATE, 94V-0, COLOR: CLEAR.  
 LOAD BAR: POLYCARBONATE, 94V-0, COLOR: CLEAR.  
 CONTACTS: PHOSPHOR BRONZE,  
 SHIELD: BRASS.
  - CONTACT PLATING:  
 50 MICROINCHES / 1.27 MICROMETERS MIN. SELECT GOLD OVER  
 100 MICROINCHES / 2.54 MICROMETERS MIN. NICKEL UNDERPLATE.  
 SHIELD:  
 100 MICROINCHES / 2.54 MICROMETERS BRIGHT TIN OVER  
 30 MICROINCHES / 0.76 MICROMETERS COPPER UNDERPLATE.
  - PRODUCT SPECIFICATION: PS-44915-003
  - PACKAGING SPECIFICATION:  
 ALL PARTS ARE BULK PACKED PER MOLEX PACKAGING  
 SPECIFICATION PK-44915-003.
  - FOR USE WITH 22 TO 28 AWG SOLID OR STRANDED  
 CONDUCTORS WITH AN INSULATION O.D. RANGE OF .037/0.94 -  
 .042/1.07 AND A JACKET O.D. OF .217/5.5 - .256/6.5.
  - EIGHT CONDUCTOR MODULAR PLUG CONFORMS TO F.C.C.  
 REGULATION PART 68.5 FOR MODULAR PLUGS.
  - PLUG REQUIRES THE LOAD BAR.
  - ALL UNTOLERANCED DIMENSIONS ARE FOR REFERENCE ONLY.
  - PLUG EXCEEDS CATEGORY 5 EIA/TIA 2840, ANNEX B  
 SPECIFICATION, PERFORMANCE TUNED TO CABLES MEETING  
 PROPOSED CATEGORY 6 SPECIFICATIONS.
  - THE PRIMARY SHIPPING CARTON WILL BE LABELED "COMPLIANT  
 TO RoHS DIRECTIVE 2002/95/EC AND ELV ANNEX II OF  
 DIRECTIVE 2000/53/EC". CARTONS WITHOUT THIS LABEL  
 MAY CONTAIN PRODUCT WITH TIN-LEAD IN THE SHIELD.
  - THIS PART CONFORMS TO CLASS B REQUIREMENTS OF  
 COSMETIC SPECIFICATION PS-45499-002.

MATERIAL NUMBER	MOLEX LOGO	STRAIN RELIEF
449150011	YES	NO
449150012	NO	NO
449150021	YES	YES
449150022	NO	YES

UPDATE NOTE 2 & 5 EC NO: UCP2007-1736 DRWN: BELL 2007/01/29 CHKD: LSCMIDT 2007/01/30 APPR: FSWITH 2007/02/01	QUALITY SYMBOLS ▽=0 ▽=0	GENERAL TOLERANCES (UNLESS SPECIFIED)	DIMENSION STYLE IN/MM	SCALE 2:1	DESIGN UNITS INCH	THIRD ANGLE PROJECTION
		DRAWN BY MARGUL IS	DATE 01/01/12	CHECKED BY MARGUL IS	DATE 01/01/12	TITLE RJ-45 PLUG FOR PROPOSED CAT 6 SPECIFICATIONS
A5	DESCRIPTION	4 PLACES ± --- ± --- 3 PLACES ± --- ± --- 2 PLACES ± --- ± --- 1 PLACE ± --- ± --- ANGULAR ±1/2°	APPROVED BY COMERC I	DATE 01/01/12	MATERIAL NO. SEE CHART	
		DRAFT WHERE APPLICABLE MUST REMAIN WITHIN DIMENSIONS	SIZE B	THIS DRAWING CONTAINS INFORMATION THAT IS PROPRIETARY TO MOLEX INCORPORATED AND SHOULD NOT BE USED WITHOUT WRITTEN PERMISSION		
		DOCUMENT NO. SD-44915-001		SHEET NO. 2 OF 2		