



Chipsmall Limited consists of a professional team with an average of over 10 year of expertise in the distribution of electronic components. Based in Hongkong, we have already established firm and mutual-benefit business relationships with customers from,Europe,America and south Asia,supplying obsolete and hard-to-find components to meet their specific needs.

With the principle of "Quality Parts,Customers Priority,Honest Operation,and Considerate Service",our business mainly focus on the distribution of electronic components. Line cards we deal with include Microchip,ALPS,ROHM,Xilinx,Pulse,ON,Everlight and Freescale. Main products comprise IC,Modules,Potentiometer,IC Socket,Relay,Connector.Our parts cover such applications as commercial,industrial, and automotives areas.

We are looking forward to setting up business relationship with you and hope to provide you with the best service and solution. Let us make a better world for our industry!



Contact us

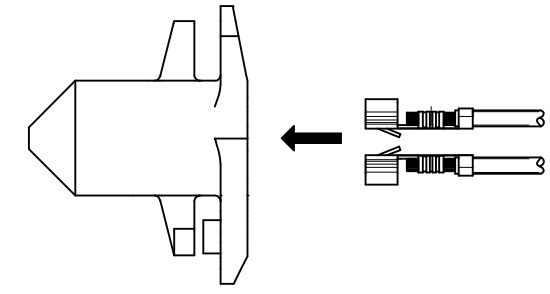
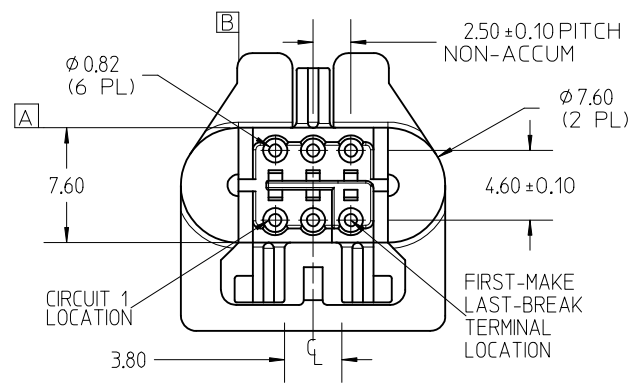
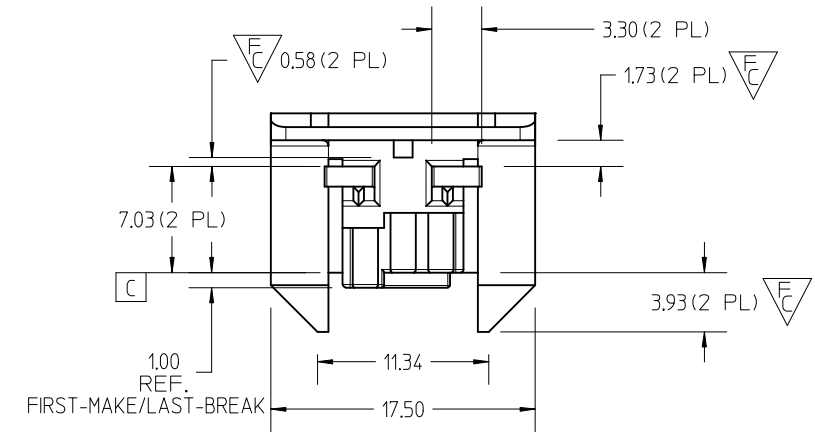
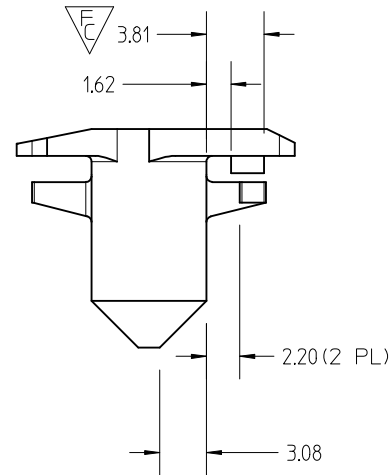
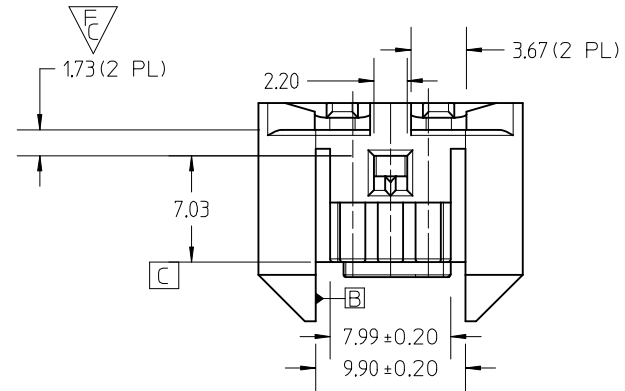
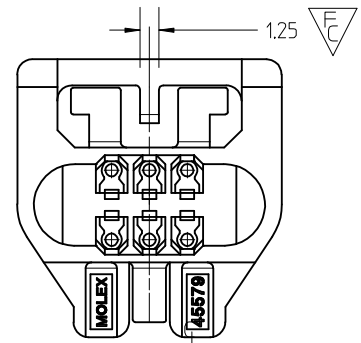
Tel: +86-755-8981 8866 Fax: +86-755-8427 6832

Email & Skype: info@chipsmall.com Web: www.chipsmall.com

Address: A1208, Overseas Decoration Building, #122 Zhenhua RD., Futian, Shenzhen, China

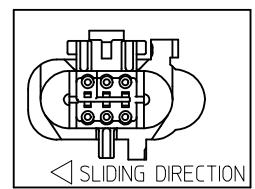
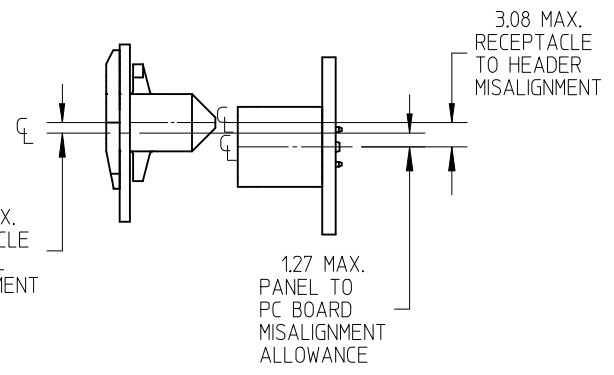
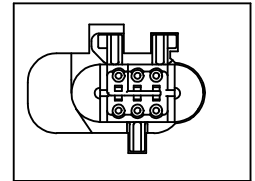
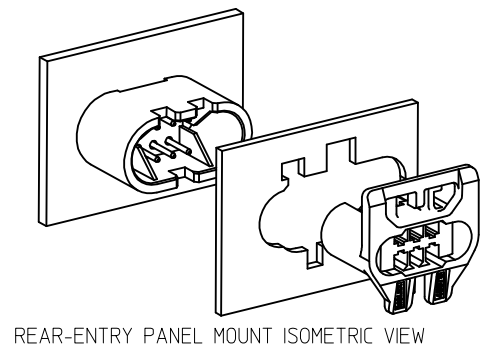
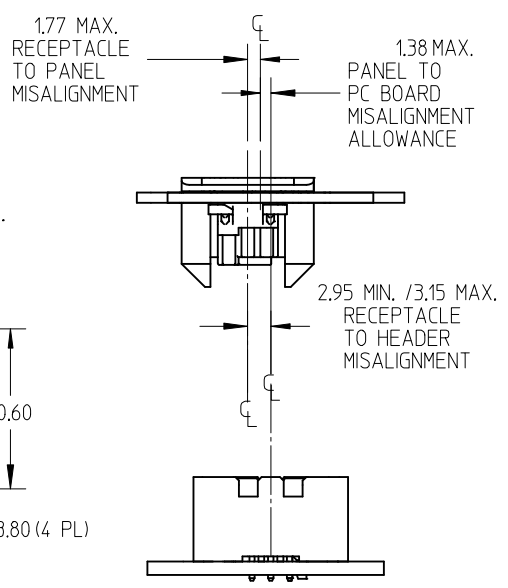
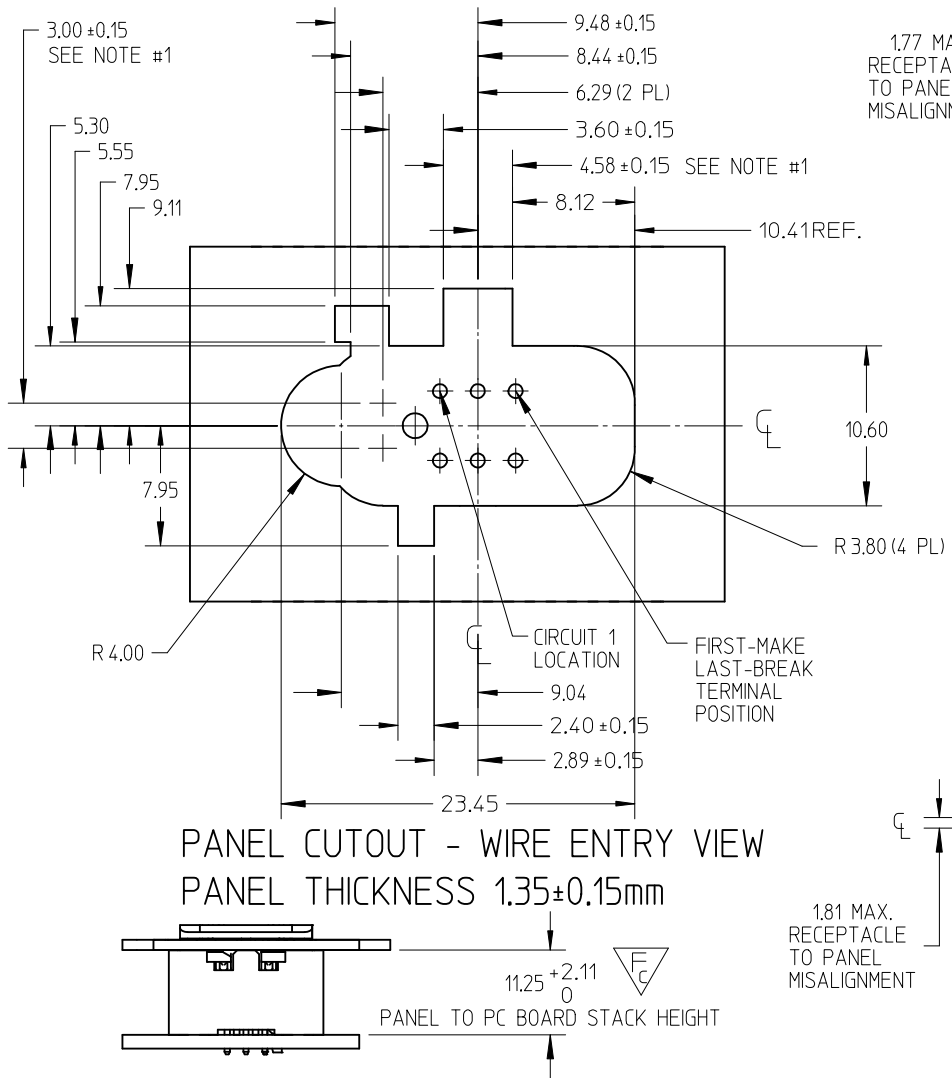


- NOTES:
1. MATERIAL: POLYESTER, UL94V-0, COLOR: BLACK.
 2. PRODUCT SPEC - PS-45579-001.
 3. USE FEMALE CRIMP TERMINAL, 08-70-1047 ONLY. (NOTE THE ORIENTATION OF TERMINALS).
 4. PART MATES WITH MOLEX HEADER SERIES 45578.
 5. PACKAGING: BULK.
 6. SEE PAGE 2 OF 2 FOR PANEL CUTOUT DIMENSIONS AND THE ALLOWED BOARD TO PANEL MISALIGNMENT.
 7. USE TOOL NUMBER 63813-1400 TO REMOVE TERMINAL FROM HOUSING WHEN NECESSARY. CAUTION: TERMINALS MUST NOT BE REUSED AFTER REMOVAL.



TERMINALS ARE TO BE ORIENTED AND LOADED INTO THE HOUSING AS SHOWN ABOVE

| | | | | | | | | | | |
|--|---|--|------------|--|------------|--|--------------------------------------|-------------------------------|--|--|
| REVISE NOTE 3 EC NO: UCP2013-1206 DRWN:BBEE 2012/09/25 CH'KD:NGUYEN 2012/09/26 APPR:FSM:TH 2012/10/12 | DESCRIPTION QUALITY SYMBOLS FC = 0 FC = 6 FC = 0 | GENERAL TOLERANCES (UNLESS SPECIFIED) | | DIMENSION STYLE MM ONLY | | SCALE 2:1 | DESIGN UNITS METRIC | THIRD ANGLE PROJECTION | | |
| | | mm | INCH | DRAWN BY | DATE | TITLE SPOX BMI RECEPTACLE HOUSING, 6 PIN REAR-ENTRY PANEL MOUNT | | | | |
| | | 4 PLACES ± --- | ± --- | TGREGORI | 2003/07/02 | | | | | |
| | | 3 PLACES ± --- | ± --- | CHECKED BY | DATE | DOCUMENT NO. 45579-0001 | SHEET NO. 1 OF 2 | | | |
| 2 PLACES ± 0.25 | ± --- | MCARRANZ | 2003/07/03 | THIS DRAWING CONTAINS INFORMATION THAT IS PROPRIETARY TO MOLEX INCORPORATED AND SHOULD NOT BE USED WITHOUT WRITTEN PERMISSION | | | | | | |
| 1 PLACE ± 0.3 | ± --- | APPROVED BY | DATE | | | | | | | |
| 0 PLACE ± | ± | APATEL | 2003/07/07 | | | | | | | |
| | | ANGULAR ± 1/2° | | | | | | | | |
| | | DRAFT WHERE APPLICABLE MUST REMAIN WITHIN DIMENSIONS | | | | | | | | |



PANEL CUTOUT - WIRE ENTRY VIEW
PANEL THICKNESS 1.35 ± 0.15mm

NOTES:
1. USE THIS DIMENSION TO ESTABLISH CENTERLINE OF THE PANEL CUTOUT

| | | |
|--|-----------------|-------------|
| SEE SHEET 1 EC NO: UCP2013-1206 DRWN:BBEE 2012/09/25 CHKD:NGUYEN 2012/09/26 APPR:FSM TH 2012/10/12 | QUALITY SYMBOLS | DESCRIPTION |
| | $\nabla = 0$ | |
| | $\nabla = 1$ | |
| | $\nabla = 0$ | |
| E3 | REV | |

| | | |
|--|--------|-------|
| GENERAL TOLERANCES (UNLESS SPECIFIED) | | |
| | mm | INCH |
| 4 PLACES | ± --- | ± --- |
| 3 PLACES | ± --- | ± --- |
| 2 PLACES | ± 0.25 | ± --- |
| 1 PLACE | ± 0.3 | ± --- |
| 0 PLACE | ± | ± |
| ANGULAR ± 1/2° | | |
| DRAFT WHERE APPLICABLE MUST REMAIN WITHIN DIMENSIONS | | |

| | |
|-----------------|------------|
| DIMENSION STYLE | |
| MM ONLY | |
| DRAWN BY | DATE |
| TGREGORI | 2003/07/02 |
| CHECKED BY | DATE |
| MCARRANZ | 2003/07/03 |
| APPROVED BY | DATE |
| APATEL | 2003/07/07 |
| MATERIAL NO. | |
| 45579-0001 | |
| SIZE | |
| A | |

| | | | |
|---|--------------|------------------------|--|
| SCALE | DESIGN UNITS | THIRD ANGLE PROJECTION | |
| 1:1 | METRIC | | |
| TITLE | | | |
| SPOX BMI RECEPTACLE HOUSING, 6 PIN REAR-ENTRY PANEL MOUNT | | | |
| molex | | | |
| DOCUMENT NO. | | SHEET NO. | |
| SD-45579-001 | | 2 OF 2 | |
| THIS DRAWING CONTAINS INFORMATION THAT IS PROPRIETARY TO MOLEX INCORPORATED AND SHOULD NOT BE USED WITHOUT WRITTEN PERMISSION | | | |