



Chipsmall Limited consists of a professional team with an average of over 10 year of expertise in the distribution of electronic components. Based in Hongkong, we have already established firm and mutual-benefit business relationships with customers from,Europe,America and south Asia,supplying obsolete and hard-to-find components to meet their specific needs.

With the principle of “Quality Parts,Customers Priority,Honest Operation,and Considerate Service”,our business mainly focus on the distribution of electronic components. Line cards we deal with include Microchip,ALPS,ROHM,Xilinx,Pulse,ON,Everlight and Freescale. Main products comprise IC,Modules,Potentiometer,IC Socket,Relay,Connector.Our parts cover such applications as commercial,industrial, and automotives areas.

We are looking forward to setting up business relationship with you and hope to provide you with the best service and solution. Let us make a better world for our industry!



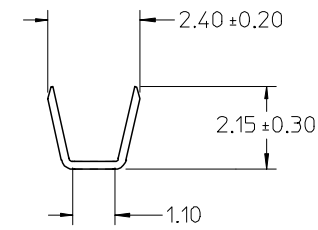
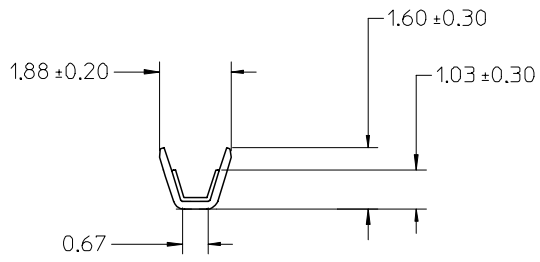
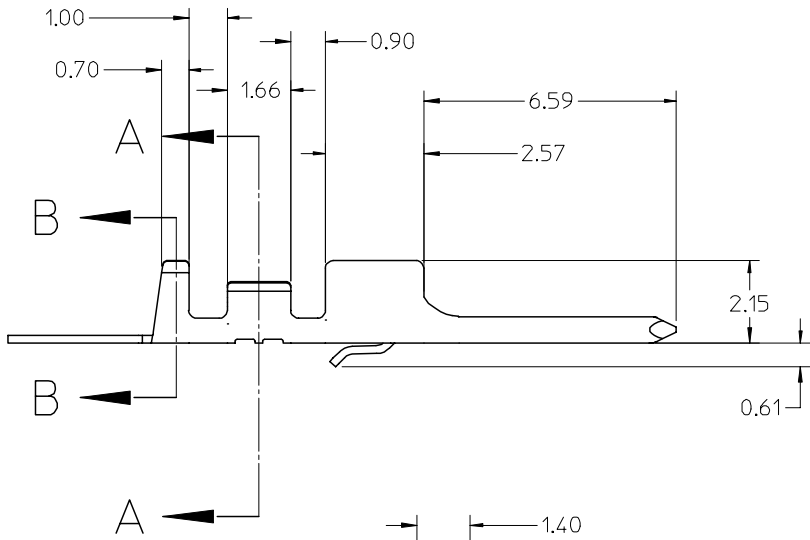
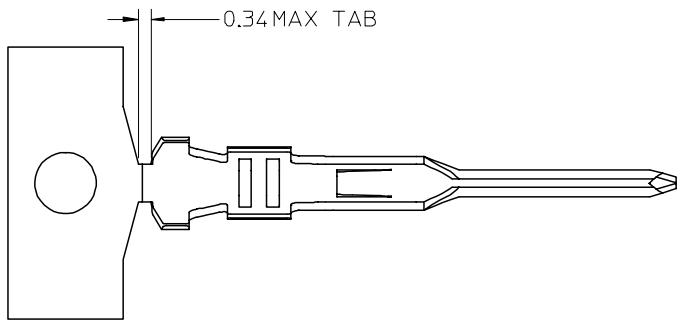
Contact us

Tel: +86-755-8981 8866 Fax: +86-755-8427 6832

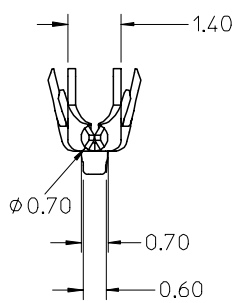
Email & Skype: info@chipsmall.com Web: www.chipsmall.com

Address: A1208, Overseas Decoration Building, #122 Zhenhua RD., Futian, Shenzhen, China





- NOTES:
1. MATERIAL: PHOSPHOR BRONZE ALLOY
 2. PLATING: 2.50µm/100µm TIN OVERALL
OVER 1.25µm/50µm OVERALL NICKEL UNDERPLATING.
 3. PART CONFORMS TO PRODUCT SPECIFICATION PS-45579-001.
 4. TERMINAL FOR USE IN SPOX PLUG 45626.
 5. FOR TERMINAL ORIENTATION SEE DRAWING SD-45626-001.
 6. USE MOLEX EXTRACTION TOOL 63813-1400 TO REMOVE TERMINAL WITHOUT DAMAGE TO THE PLUG CORE. REMOVED TERMINAL IS NOT USABLE.
 7. CONTACT WIPE IN 45626-0001 HOUSING WHEN MATED TO 08-70-1045 TERMINAL IN 45579-0001 HOUSING:
STANDARD WIPE (ALL CIRCUITS EXCEPT CKT 1) 2.28mm +0.23/-0.25
FIRST-MAKE / LAST BREAK (CIRCUIT 1) 3.28mm +0.24/-0.26
TOLERANCE CALCULATED BY ROOT MEAN SQUARE METHOD (RMS)



EC NO: UCP2005-2128 DRWN: MCARRANZ05/04/05 CHKD: JCOMERC 2005/04/05 APPR: JCOMERC 2005/04/08	QUALITY SYMBOLS	GENERAL TOLERANCES (UNLESS SPECIFIED)		SCALE 4:1	DESIGN UNITS METRIC	THIRD ANGLE PROJECTION	REVISE ON CAD ONLY	
	▽ = 0 ▽ = 0	mm	INCH	DIMENSION STYLE MM ONLY		TITLE		
		4 PLACES ± --- ± ---	3 PLACES ± --- ± ---	DRAWN BY DATE		0.70MM SPOX MALE CRIMP PIN TERMINAL 22-24AWG		
		2 PLACES ± 0.13 ± ---	1 PLACE ± 0.25 ± ---	KSTILES 2/26/2004				
ANGULAR ± 1/2°	DRAFT WHERE APPLICABLE		CHECKED BY DATE	MATERIAL NO. DOCUMENT NO.		SHEET NO.		
A1	DESCRIPTION	MUST REMAIN WITHIN DIMENSIONS		MCARRANZ 05/17/04	MOLEX INCORPORATED		1 OF 1	
				THIS DRAWING CONTAINS INFORMATION THAT IS PROPRIETARY TO MOLEX INCORPORATED AND SHOULD NOT BE USED WITHOUT WRITTEN PERMISSION				B