



Chipsmall Limited consists of a professional team with an average of over 10 year of expertise in the distribution of electronic components. Based in Hongkong, we have already established firm and mutual-benefit business relationships with customers from,Europe,America and south Asia,supplying obsolete and hard-to-find components to meet their specific needs.

With the principle of “Quality Parts,Customers Priority,Honest Operation,and Considerate Service”,our business mainly focus on the distribution of electronic components. Line cards we deal with include Microchip,ALPS,ROHM,Xilinx,Pulse,ON,Everlight and Freescale. Main products comprise IC,Modules,Potentiometer,IC Socket,Relay,Connector.Our parts cover such applications as commercial,industrial, and automotives areas.

We are looking forward to setting up business relationship with you and hope to provide you with the best service and solution. Let us make a better world for our industry!



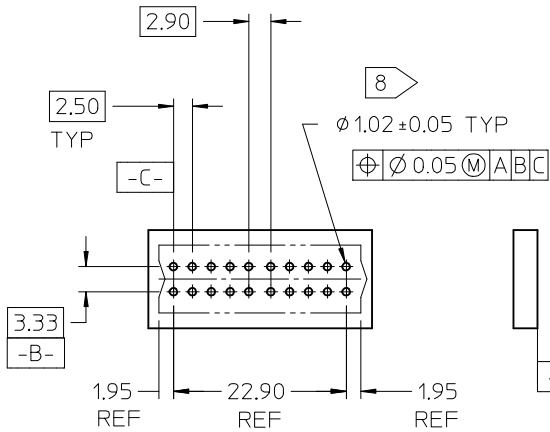
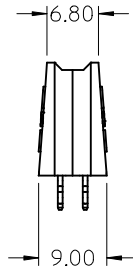
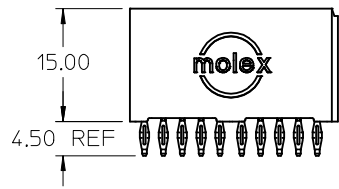
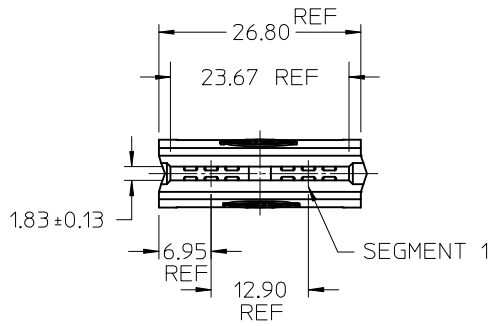
Contact us

Tel: +86-755-8981 8866 Fax: +86-755-8427 6832

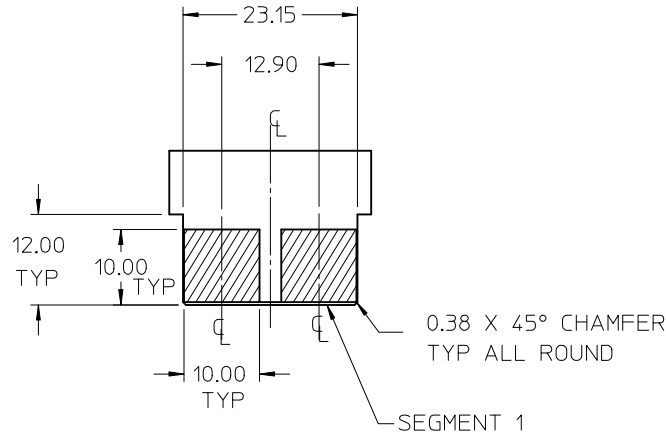
Email & Skype: info@chipsmall.com Web: www.chipsmall.com

Address: A1208, Overseas Decoration Building, #122 Zhenhua RD., Futian, Shenzhen, China

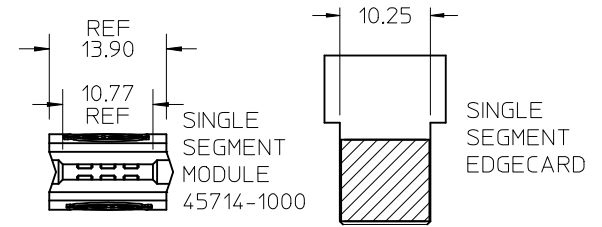




PCB LAYOUT: COMPONENT SIDE



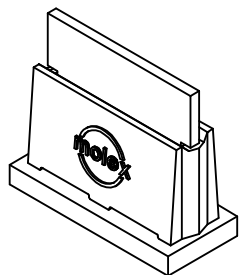
RECOMMENDED EDGE CARD LAYOUT
TOLERANCE: ±0.05



SEG-MENTS	MATERIAL NUMBER
1	45714-1000
2	45714-0001

NOTES:

- HOUSING MATL: LCP, UL94V-0, COLOR BLACK
TERMINAL MATL: COPPER ALLOY
- FINISH: SELECT GOLD: 30 M.I. MIN IN CONTACT AREA
SELECT TIN: 150 M.I. MIN IN SOLDER AREA
OVERALL NICKEL UNDERPLATE.
- PRODUCT SPECIFICATION: PS-45719-001.
- PACKAGING SPECIFICATION: ES-45714-001.
- PCB THICKNESS: 2.36 MIN
- EDGE CARD THICKNESS: 1.57±0.15
- DIMENSIONS GIVEN ACROSS CENTERLINES ARE SYMMETRICAL ABOUT THOSE CENTERLINES WITHIN HALF TOTAL TOLERANCE.
- PCB HOLE SPECIFICATION: SEE PS-45719-001
- VOIDED SEGMENTS DO NOT HAVE TERMINALS IN THE TOP OR BOTTOM ROW

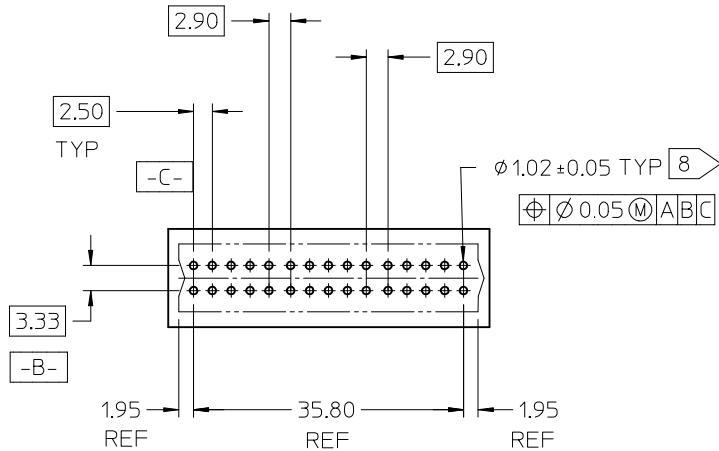
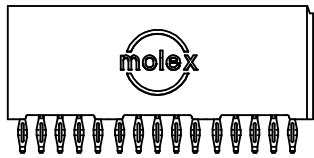
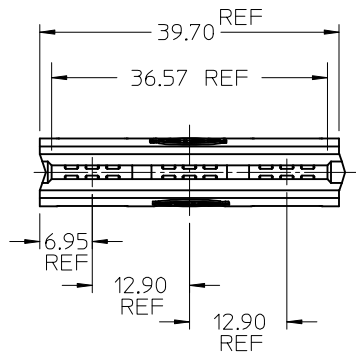


REMOVE TOOLING STATUS	2012/10/29
EC NO: UCP2013-1672	
DRWN: JSCHAFFER	
CHKD:	
APPR: APATEL	2012/11/06
DESCRIPTION	
REV	
H	

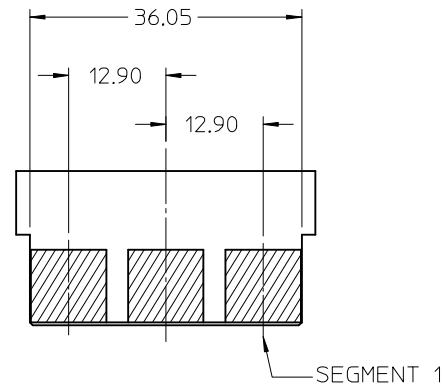
GENERAL TOLERANCES (UNLESS SPECIFIED)		
	mm	INCH
4 PLACES	± ---	± ---
3 PLACES	± ---	± ---
2 PLACES	± 0.25	± ---
1 PLACE	± 0.25	± ---
ANGULAR ±1/2°		
DRAFT WHERE APPLICABLE MUST REMAIN WITHIN DIMENSIONS		

DIMENSION STYLE	
MM ONLY	
DRAWN BY	DATE
MARGULIS	2003/11/11
CHECKED BY	DATE
MARGULIS	2003/11/11
APPROVED BY	DATE
MARGULIS	2003/11/11
SEE CHARTS	
SIZE	
A	

SCALE	DESIGN UNITS	THIRD ANGLE PROJECTION	
1:1	METRIC		
TITLE			
POWER EDGE ASSEMBLY POWER VERTICAL CPI			
MOLEX INCORPORATED			
DOCUMENT NO.			SHEET NO.
SD-45714-001			1 OF 5
THIS DRAWING CONTAINS INFORMATION THAT IS PROPRIETARY TO MOLEX INCORPORATED AND SHOULD NOT BE USED WITHOUT WRITTEN PERMISSION			



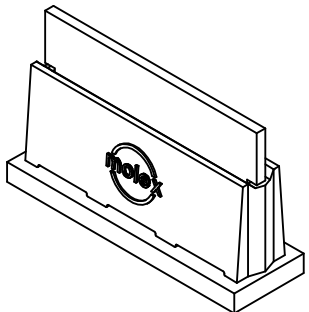
PCB LAYOUT: COMPONENT SIDE



RECOMMENDED EDGE CARD LAYOUT
EDGE CARD TOLERANCE: ± 0.05

NOTES:
1. FOR ALL OTHER DIMENSIONS AND NOTES SEE SHEET 1.

MATERIAL NUMBER	VOIDED SEGMENT
45714-0002	NONE
45714-3001	1
45714-3002	2
45714-3003	3
45714-3004	1,2
45714-3005	1,3
45714-3006	2,3



EC NO: UCP2013-1672	DRWN: JSCHAFFER	2012/10/29	CHKD: APATEL	2012/11/06	DESCRIPTION
H	REV				

	GENERAL TOLERANCES (UNLESS SPECIFIED)	
	mm	INCH
4 PLACES	$\pm \text{---}$	$\pm \text{---}$
3 PLACES	$\pm \text{---}$	$\pm \text{---}$
2 PLACES	± 0.25	$\pm \text{---}$
1 PLACE	± 0.25	$\pm \text{---}$
ANGULAR $\pm 1/2^\circ$		
DRAFT WHERE APPLICABLE MUST REMAIN WITHIN DIMENSIONS		

DIMENSION STYLE	
MM ONLY	
DRAWN BY	DATE
MARGUL IS	2003/11/11
CHECKED BY	DATE
MARGUL IS	2003/11/11
APPROVED BY	DATE
MARGUL IS	2003/11/11
SIZE	
A	

SCALE	DESIGN UNITS	THIRD ANGLE PROJECTION
1:1	METRIC	
TITLE		
POWER EDGE ASSEMBLY POWER VERTICAL CPI (3 SEGMENT PARTS)		
MOLEX INCORPORATED		
DOCUMENT NO.	SHEET NO.	
SD-45714-001	2	
THIS DRAWING CONTAINS INFORMATION THAT IS PROPRIETARY TO MOLEX INCORPORATED AND SHOULD NOT BE USED WITHOUT WRITTEN PERMISSION		

6

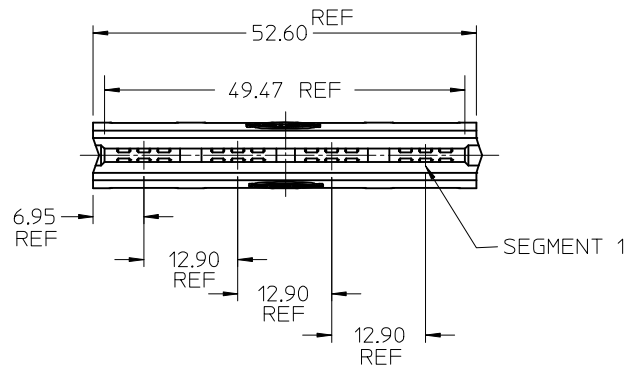
5

4

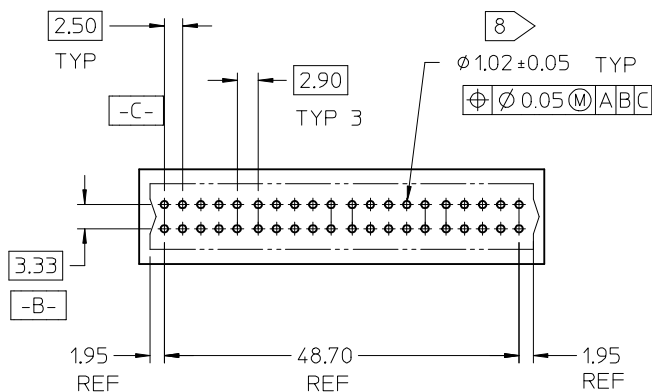
3

2

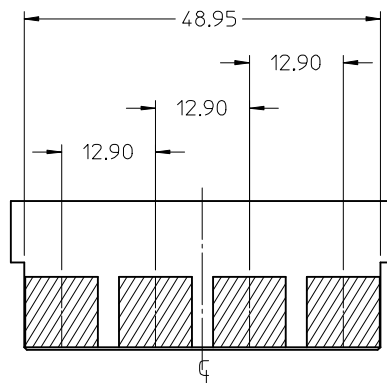
1



NOTES:
1. FOR ALL OTHER DIMENSIONS AND NOTES SEE SHEET 1.

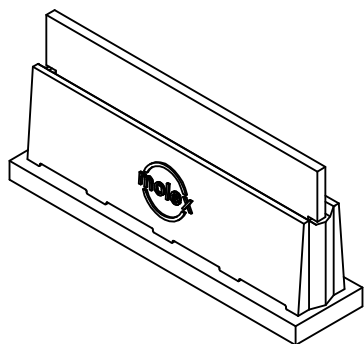


PCB LAYOUT: COMPONENT SIDE



RECOMMENDED EDGE CARD LAYOUT
EDGE CARD TOLERANCE: ±0.05

MATERIAL NUMBER	VOIDED SEGMENT
45714-0003	NONE
45714-4001	1
45714-4002	2
45714-4003	3
45714-4004	4
45714-4005	1,2
45714-4006	1,3
45714-4007	1,4
45714-4008	2,3
45714-4009	2,4
45714-4010	3,4



EC NO: UCP2013-1672	DESCRIPTION
DRWN: JSCHAFFER 2012/10/29	
CHKD:	
APPR: APATEL 2012/11/06	
REV	

GENERAL TOLERANCES (UNLESS SPECIFIED)			DIMENSION STYLE		SCALE	DESIGN UNITS	THIRD ANGLE PROJECTION	
	mm	INCH	MM ONLY		1:1	METRIC		
4 PLACES	± ---	± ---	DRAWN BY	DATE	TITLE POWER EDGE ASSEMBLY POWER VERTICAL CPI (4 SEGMENT PARTS)			
3 PLACES	± ---	± ---	MARGULIS	2003/11/11				
2 PLACES	± 0.25	± ---	CHECKED BY	DATE				
1 PLACE	± 0.25	± ---	MARGULIS	2003/11/11				
ANGULAR ±1/2°			APPROVED BY	DATE	MOLEX INCORPORATED			
DRAFT WHERE APPLICABLE MUST REMAIN WITHIN DIMENSIONS			MARGULIS	2003/11/11				

DOCUMENT NO. SD-45714-001		SHEET NO. 3
-------------------------------------	--	----------------

THIS DRAWING CONTAINS INFORMATION THAT IS PROPRIETARY TO MOLEX INCORPORATED AND SHOULD NOT BE USED WITHOUT WRITTEN PERMISSION

5

4

3

2

1

6

5

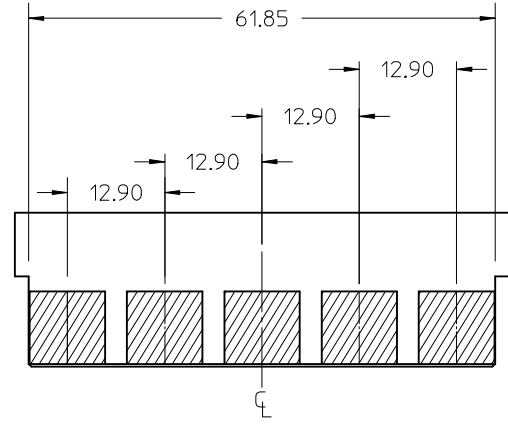
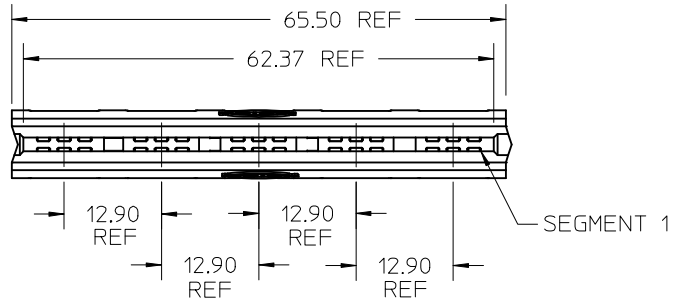
4

3

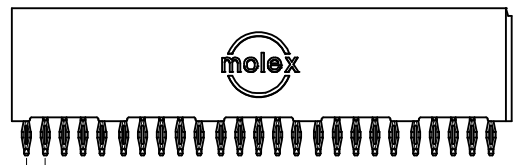
2

1

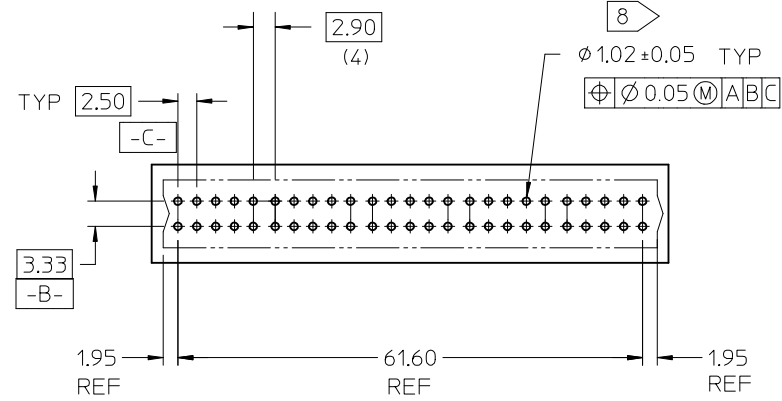
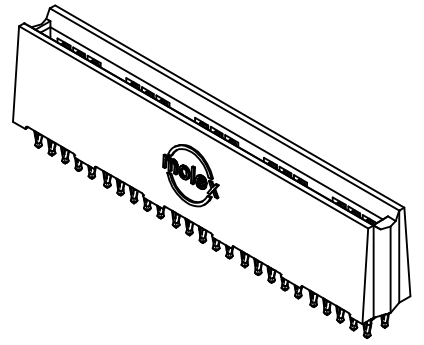
MATERIAL NUMBER	NO OF SEG'S	VOIDED SEGMENT
45714-0004	5	NONE
45714-5001	5	1
45714-5002	5	2
45714-5003	5	3
45714-5004	5	4
45714-5005	5	5
45714-5006	5	1, 2
45714-5007	5	1, 3
45714-5008	5	1, 4
45714-5009	5	1, 5
45714-5010	5	2, 3
45714-5011	5	2, 4
45714-5012	5	2, 5
45714-5013	5	3, 4
45714-5014	5	3, 5
45714-5015	5	4, 5



RECOMMENDED EDGE CARD LAYOUT
EDGE CARD TOLERANCE: ±0.05



2.50
(20)



PCB LAYOUT: COMPONENT SIDE

ENTER DESCRIPTION	2012/11/06
EC NO: UCP2013-1672	DESCRIPTION
DRWN: JSCHAFFER	2012/10/29
CHKD:	
APPR: APATEL	
REV	
H	

QUALITY SYMBOLS	DESCRIPTION
▽ = 0	
▽ = 0	
▽ = 0	

GENERAL TOLERANCES (UNLESS SPECIFIED)		
	mm	INCH
4 PLACES	± ---	± ---
3 PLACES	± ---	± ---
2 PLACES	± 0.25	± ---
1 PLACE	± 0.25	± ---
ANGULAR ± 1/2°		
DRAFT WHERE APPLICABLE MUST REMAIN WITHIN DIMENSIONS		

DIMENSION STYLE	
MM ONLY	
DRAWN BY	DATE
MARGUL IS	2003/11/11
CHECKED BY	DATE
MARGUL IS	2003/11/11
APPROVED BY	DATE
MARGUL IS	2003/11/11
MATERIAL NO.	

SCALE 1:1	DESIGN UNITS METRIC	THIRD ANGLE PROJECTION
TITLE		
POWER EDGE ASSEMBLY POWER VERTICAL CPI		
molex MOLEX INCORPORATED		
DOCUMENT NO.	SHEET NO.	
SD-45714-001	4 OF 5	
SIZE A THIS DRAWING CONTAINS INFORMATION THAT IS PROPRIETARY TO MOLEX INCORPORATED AND SHOULD NOT BE USED WITHOUT WRITTEN PERMISSION		

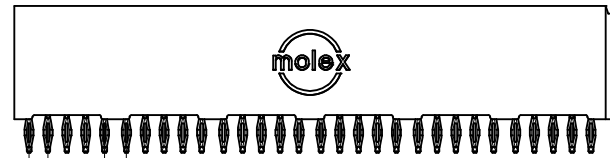
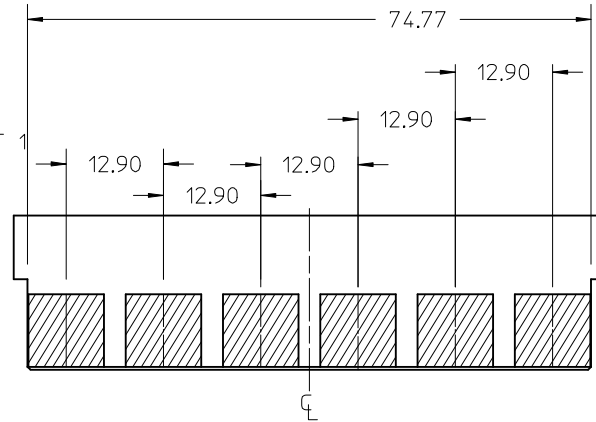
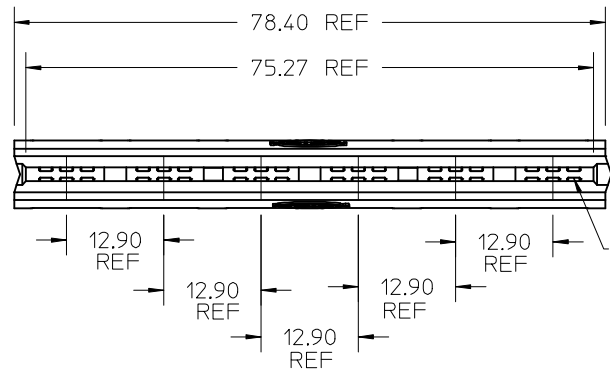
5

4

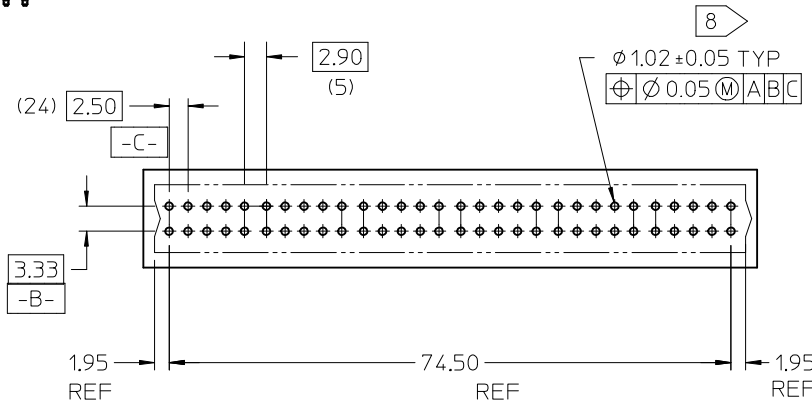
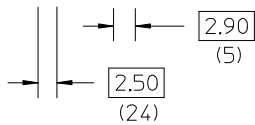
3

2

1



RECOMMENDED EDGE CARD LAYOUT
EDGE CARD TOLERANCE: ±0.05



PCB LAYOUT: COMPONENT SIDE

MATERIAL NUMBER	NO OF SEG'S	VOIDED SEGMENT
45714-0005	6	NONE
45714-6001	6	1
45714-6002	6	2
45714-6003	6	3
45714-6004	6	4
45714-6005	6	5
45714-6006	6	6
45714-6007	6	1, 2
45714-6008	6	1, 3
45714-6009	6	1, 4
45714-6010	6	1, 5
45714-6011	6	1, 6
45714-6012	6	2, 3
45714-6013	6	2, 4
45714-6014	6	2, 5
45714-6015	6	2, 6
45714-6016	6	3, 4
45714-6017	6	3, 5
45714-6018	6	3, 6
45714-6019	6	4, 5
45714-6020	6	1, 6
45714-6021	6	2, 6
45714-6022	6	3, 6
45714-6023	6	4, 6
45714-6024	6	5, 6

SEE SHT 1	QUALITY SYMBOLS
EC NO: UCP2013-1672	$\nabla = 0$
DRWN: JSCHAFFER 2012/10/29	$\nabla = 0$
CHKD: APPR: APATEL 2012/11/06	$\nabla = 0$
REV	

GENERAL TOLERANCES (UNLESS SPECIFIED)		
	mm	INCH
4 PLACES	± ---	± ---
3 PLACES	± ---	± ---
2 PLACES	± 0.25	± ---
1 PLACE	± 0.25	± ---
ANGULAR ± 1/2°		
DRAFT WHERE APPLICABLE MUST REMAIN WITHIN DIMENSIONS		

DIMENSION STYLE	
MM ONLY	
DRAWN BY	DATE
MARGUL IS	2003/11/11
CHECKED BY	DATE
MARGUL IS	2003/11/11
APPROVED BY	DATE
MARGUL IS	2003/11/11
MATERIAL NO.	
SEE CHART	
SIZE	
A	

SCALE 1:1	DESIGN UNITS METRIC	THIRD ANGLE PROJECTION
TITLE		
POWER EDGE ASSEMBLY POWER VERTICAL CPI		
MOLEX INCORPORATED		
DOCUMENT NO.		SHEET NO.
SD-45714-001		5 OF 5
THIS DRAWING CONTAINS INFORMATION THAT IS PROPRIETARY TO MOLEX INCORPORATED AND SHOULD NOT BE USED WITHOUT WRITTEN PERMISSION		