



Chipsmall Limited consists of a professional team with an average of over 10 year of expertise in the distribution of electronic components. Based in Hongkong, we have already established firm and mutual-benefit business relationships with customers from,Europe,America and south Asia,supplying obsolete and hard-to-find components to meet their specific needs.

With the principle of "Quality Parts,Customers Priority,Honest Operation,and Considerate Service",our business mainly focus on the distribution of electronic components. Line cards we deal with include Microchip,ALPS,ROHM,Xilinx,Pulse,ON,Everlight and Freescale. Main products comprise IC,Modules,Potentiometer,IC Socket,Relay,Connector.Our parts cover such applications as commercial,industrial, and automotives areas.

We are looking forward to setting up business relationship with you and hope to provide you with the best service and solution. Let us make a better world for our industry!



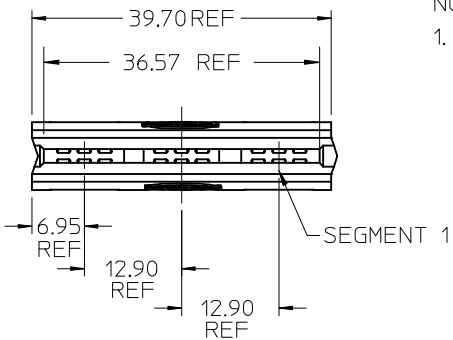
Contact us

Tel: +86-755-8981 8866 Fax: +86-755-8427 6832

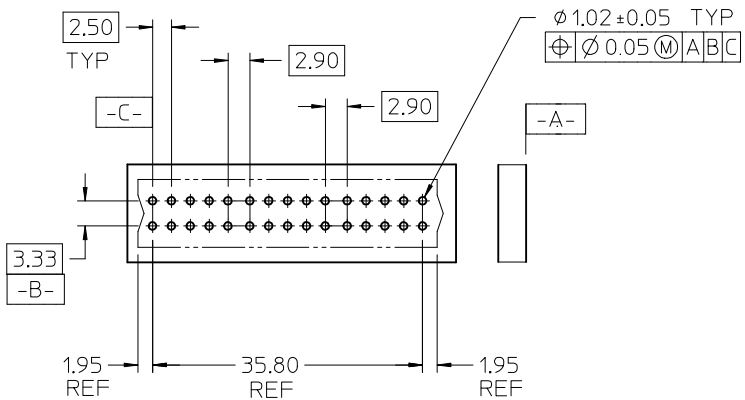
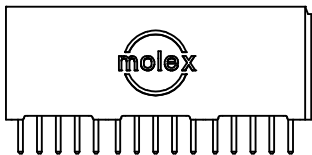
Email & Skype: info@chipsmall.com Web: www.chipsmall.com

Address: A1208, Overseas Decoration Building, #122 Zhenhua RD., Futian, Shenzhen, China

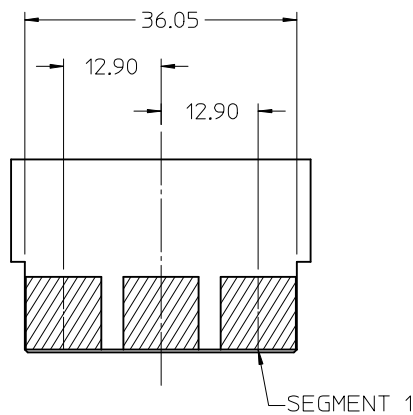




NOTES:
1. FOR ALL OTHER DIMENSIONS AND NOTES SEE SHEET 1.

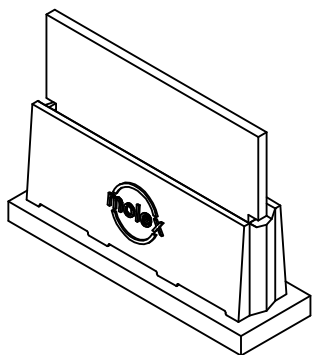


PCB LAYOUT: COMPONENT SIDE



RECOMMENDED EDGE CARD LAYOUT
EDGE CARD TOLERANCE: ± 0.05

MATERIAL NUMBER	VOIDED SEGMENT	P	PCB THK
45719-0002	NONE	4.50	3.18
45719-3001	1		
45719-3002	2		
45719-3003	3		
45719-3004	1,2		
45719-3005	1,3		
45719-3006	2,3		
45719-0005	NONE	3.63	2.36
45719-3007	1		
45719-3008	2		
45719-3009	3		
45719-3010	1,2		
45719-3011	1,3		
45719-3012	2,3		
45719-0008	NONE	2.92	1.57
45719-3013	1		
45719-3014	2		
45719-3015	3		
45719-3016	1,2		
45719-3017	1,3		
45719-3018	2,3		



EC NO: UCP2015-2755	DRWN: JSCHAFFER	2015/08/07	CHKD: APATEL	2015/09/01	DESCRIPTION
G6	REV				

	GENERAL TOLERANCES (UNLESS SPECIFIED)	
	mm	INCH
4 PLACES	$\pm \text{---}$	$\pm \text{---}$
3 PLACES	$\pm \text{---}$	$\pm \text{---}$
2 PLACES	± 0.25	$\pm \text{---}$
1 PLACE	± 0.25	$\pm \text{---}$
ANGULAR $\pm 1/2^\circ$		
DRAFT WHERE APPLICABLE MUST REMAIN WITHIN DIMENSIONS		

DIMENSION STYLE	
MM ONLY	
DRAWN BY	DATE
MARGULIS	2003/11/11
CHECKED BY	DATE
MARGULIS	2003/11/11
APPROVED BY	DATE
MARGULIS	2003/11/11
SIZE	
A	

SCALE	DESIGN UNITS	THIRD ANGLE PROJECTION
1:1	METRIC	
TITLE		
POWER EDGE ASSEMBLY POWER VERTICAL SOLDER TAIL		
MOLEX INCORPORATED		
DOCUMENT NO.	SHEET NO.	
SD-45719-001	2	
THIS DRAWING CONTAINS INFORMATION THAT IS PROPRIETARY TO MOLEX INCORPORATED AND SHOULD NOT BE USED WITHOUT WRITTEN PERMISSION		

6

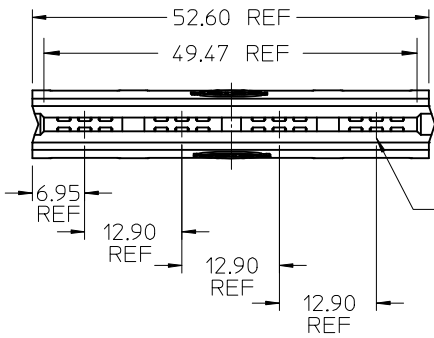
5

4

3

2

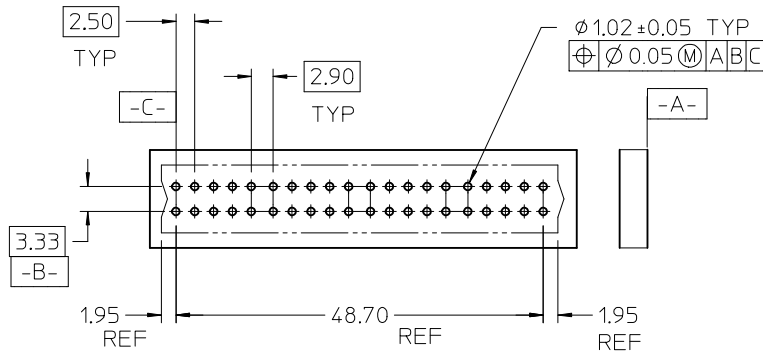
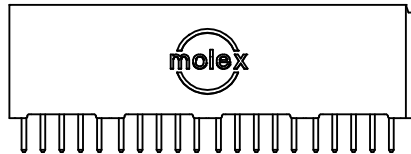
1



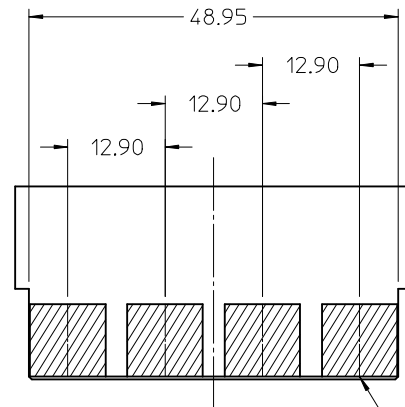
NOTES:

1. FOR ALL OTHER DIMENSIONS AND NOTES SEE SHEET 1.

SEGMENT 1



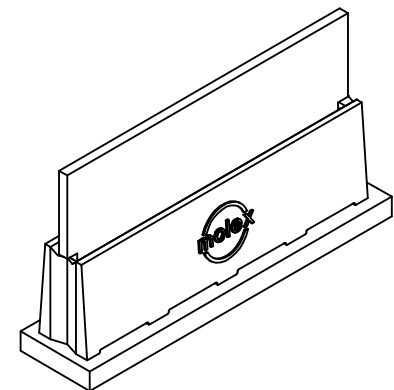
PCB LAYOUT: COMPONENT SIDE



SEGMENT 1

RECOMMENDED EDGE CARD LAYOUT
EDGE CARD TOLERANCE: ± 0.05

MATERIAL NUMBER	VOIDED SEGMENT	P	PCB THK
45719-0003	NONE		
45719-4001	1		
45719-4002	2		
45719-4003	3		
45719-4004	4	4.50	3.18
45719-4005	1, 2		
45719-4006	1, 3		
45719-4007	1, 4		
45719-4008	2, 3		
45719-4009	2, 4		
45719-4010	3, 4		
45719-0006	NONE		
45719-4011	1		
45719-4012	2		
45719-4013	3		
45719-4014	4	3.63	2.36
45719-4015	1, 2		
45719-4016	1, 3		
45719-4017	1, 4		
45719-4018	2, 3		
45719-4019	2, 4		
45719-4020	3, 4		
45719-0009	NONE		
45719-4021	1		
45719-4022	2		
45719-4023	3		
45719-4024	4	2.92	1.57
45719-4025	1, 2		
45719-4026	1, 3		
45719-4027	1, 4		
45719-4028	2, 3		
45719-4029	2, 4		
45719-4030	3, 4		



EC NO: UCP2015-2755	DRWN: JSCHAFFER	2015/08/07	CHKD: APATEL	2015/09/01	DESCRIPTION
G6	REV				

GENERAL TOLERANCES
(UNLESS SPECIFIED)

	mm	INCH
4 PLACES	\pm ---	\pm ---
3 PLACES	\pm ---	\pm ---
2 PLACES	± 0.25	\pm ---
1 PLACE	± 0.25	\pm ---

ANGULAR $\pm 1/2^\circ$ DRAFT WHERE APPLICABLE
MUST REMAIN
WITHIN DIMENSIONSDIMENSION STYLE
MM ONLY

DRAWN BY	DATE
MARGUL IS	2003/11/11
CHECKED BY	DATE
MARGUL IS	2003/11/11
APPROVED BY	DATE
MARGUL IS	2003/11/11

SCALE
1:1DESIGN UNITS
METRICTHIRD ANGLE
PROJECTIONTITLE
POWER EDGE ASSEMBLY
POWER VERTICAL
SOLDER TAIL

MOLEX INCORPORATED

DOCUMENT NO.
SD-45719-001SHEET NO.
3

5

4

3

2

1