



Chipsmall Limited consists of a professional team with an average of over 10 year of expertise in the distribution of electronic components. Based in Hongkong, we have already established firm and mutual-benefit business relationships with customers from,Europe,America and south Asia,supplying obsolete and hard-to-find components to meet their specific needs.

With the principle of “Quality Parts,Customers Priority,Honest Operation,and Considerate Service”,our business mainly focus on the distribution of electronic components. Line cards we deal with include Microchip,ALPS,ROHM,Xilinx,Pulse,ON,Everlight and Freescale. Main products comprise IC,Modules,Potentiometer,IC Socket,Relay,Connector.Our parts cover such applications as commercial,industrial, and automotives areas.

We are looking forward to setting up business relationship with you and hope to provide you with the best service and solution. Let us make a better world for our industry!



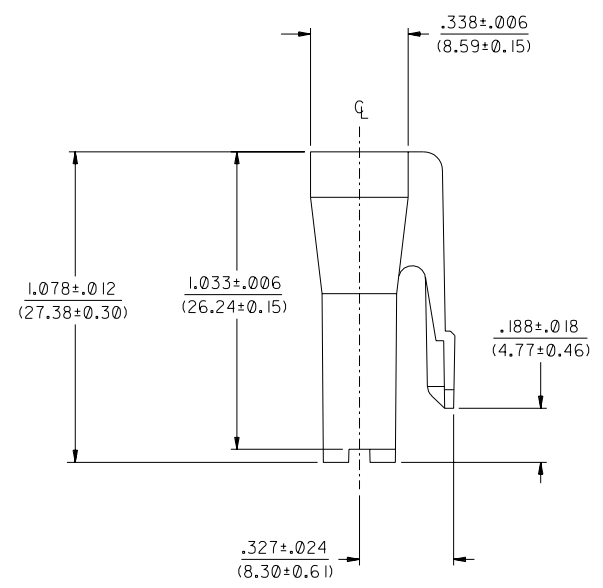
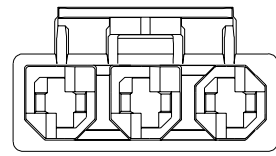
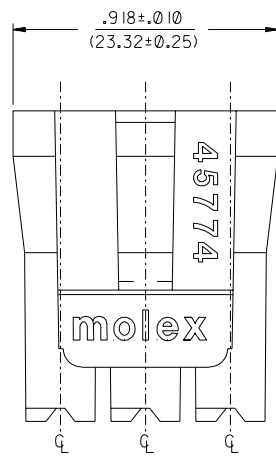
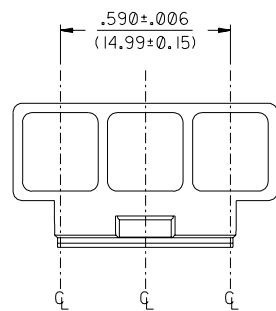
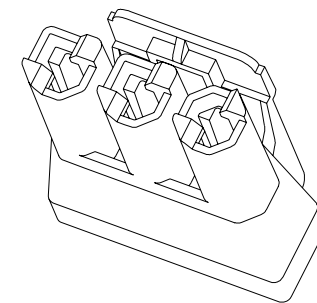
Contact us

Tel: +86-755-8981 8866 Fax: +86-755-8427 6832

Email & Skype: info@chipsmall.com Web: www.chipsmall.com

Address: A1208, Overseas Decoration Building, #122 Zhenhua RD., Futian, Shenzhen, China





NOTES:

1. MATERIAL: NYLON 66; UL94V-0; IEC GWIT: 775C, GWFI: 960C
PART MEETS REQUIREMENTS OF WHIRLPOOL SPECIFICATION T-588
(HOT WIRE IGNITION TEST)
COLOR: BLACK
2. FINISH: NONE
3. PRODUCT SPECIFICATION: NONE
4. UL LISTED AND CSA CERTIFIED
5. THIS CONNECTOR HOUSING FOR USE WITH
43375-**** TERMINALS.
6. SEE SDES-43335-9003 FOR REQUIREMENTS
FOR MATING INTERFACE.

C	REVISE ENGRAVING UCP2005-0734 10-5-04 SCHAFFER
B	REVISE ENGRAVING UCP2005-0546 09-08-04 SCHAFFER
A	INITIAL RELEASE EC*UCP2004-1490 08-23-04 BW

DIMENSIONS SHOWN (METRIC) INCH		▽ = 0	▼ = 0	REVISE ONLY ON CAD SYSTEM																			
UNLESS OTHERWISE SPECIFIED TOLERANCES: ANGULAR ± 1/2°		TITLE 3-CKT. RECEPTACLE HOUSING .125 X .020 FLAT BLADE TPA (GLOW WIRE CAPABLE)																					
<table border="1"> <tr> <th></th> <th>INCH</th> <th>METRIC</th> </tr> <tr> <td>3 PLACE</td> <td>± ---</td> <td>---</td> </tr> <tr> <td>2 PLACE</td> <td>± ---</td> <td>± ---</td> </tr> <tr> <td>1 PLACE</td> <td>--- ±</td> <td>---</td> </tr> </table>			INCH	METRIC	3 PLACE	± ---	---	2 PLACE	± ---	± ---	1 PLACE	--- ±	---	<table border="1"> <tr> <td>MOLEX INCORPORATED</td> <td>SHEET NO.</td> <td>DATE</td> </tr> <tr> <td>LITSE,ILL.</td> <td>60532</td> <td>U.S.A. 1 OF 1 08/23/04</td> </tr> </table>				MOLEX INCORPORATED	SHEET NO.	DATE	LITSE,ILL.	60532	U.S.A. 1 OF 1 08/23/04
	INCH	METRIC																					
3 PLACE	± ---	---																					
2 PLACE	± ---	± ---																					
1 PLACE	--- ±	---																					
MOLEX INCORPORATED	SHEET NO.	DATE																					
LITSE,ILL.	60532	U.S.A. 1 OF 1 08/23/04																					
DRAFT WHERE APPLICABLE MUST REMAIN WITHIN DIMENSIONS		PART NO. 45774-0001		DRWG. NO. SD-45774-001																			
DRWG. BY BW	CHK'D. BY BW	FILE NAME SD-45774-001	THIS DRAWING CONTAINS INFORMATION THAT IS PROPRIETARY TO MOLEX INC. AND SHOULD NOT BE USED WITHOUT WRITTEN PERMISSION																				
APP'D. BY BW	SCALE 3: 1	DIV. CP	SIZE C																				