



Chipsmall Limited consists of a professional team with an average of over 10 year of expertise in the distribution of electronic components. Based in Hongkong, we have already established firm and mutual-benefit business relationships with customers from,Europe,America and south Asia,supplying obsolete and hard-to-find components to meet their specific needs.

With the principle of "Quality Parts,Customers Priority,Honest Operation,and Considerate Service",our business mainly focus on the distribution of electronic components. Line cards we deal with include Microchip,ALPS,ROHM,Xilinx,Pulse,ON,Everlight and Freescale. Main products comprise IC,Modules,Potentiometer,IC Socket,Relay,Connector.Our parts cover such applications as commercial,industrial, and automotives areas.

We are looking forward to setting up business relationship with you and hope to provide you with the best service and solution. Let us make a better world for our industry!



Contact us

Tel: +86-755-8981 8866 Fax: +86-755-8427 6832

Email & Skype: info@chipsmall.com Web: www.chipsmall.com

Address: A1208, Overseas Decoration Building, #122 Zhenhua RD., Futian, Shenzhen, China

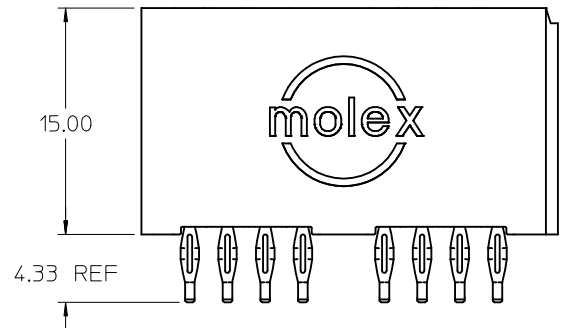
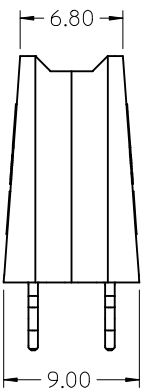
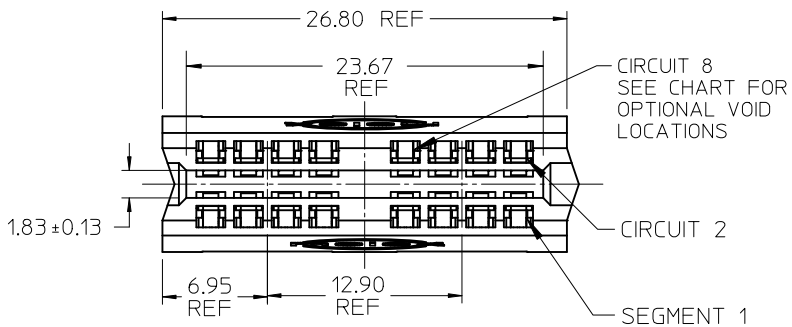


D

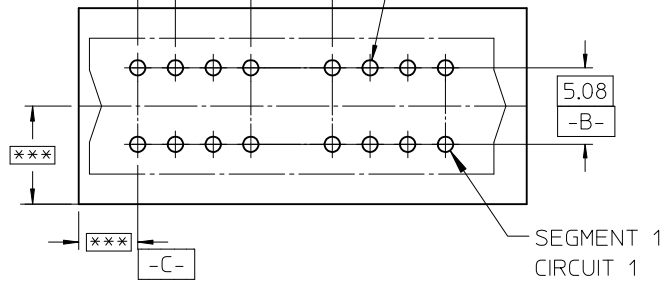
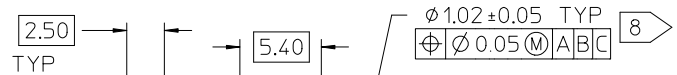
C

B

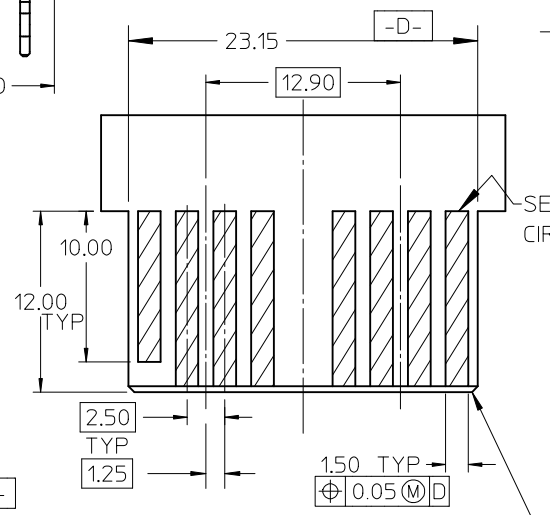
A



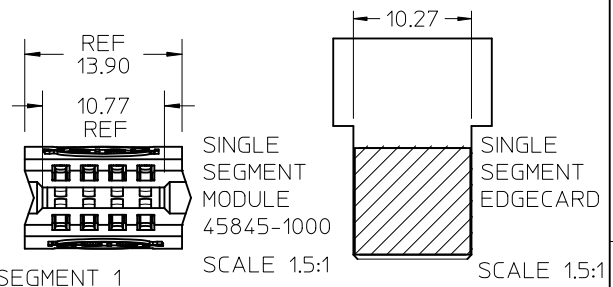
- NOTES:
1. MATERIAL: HOUSING 30% GF LCP, UL94V-0, BLACK
MATERIAL: TERMINAL C5210 ALLOY
 2. FINISH: SELECT GOLD 30 μ IN MIN IN CONTACT AREA
100 μ IN MIN IN PC TAIL AREA
BOTH OVER NICKEL 50 μ IN OVERALL
 3. PRODUCT SPECIFICATION: PS-45719-001.
 4. PACKAGING SPECIFICATION: ES-45714-001.
 5. THIS PART MATES WITH 1.60 ± 0.16 THICK PCB OR BUSBAR
 6. DIMENSIONS GIVEN ACROSS CENTERLINES ARE SYMMETRICAL ABOUT THOSE CENTERLINES WITHIN HALF THE TOTAL TOLERANCE.
 8. PCB THICKNESS: 2.36 MIN
EDGE CARD THICKNESS: 1.57 ± 0.15
PCB HOLE SPECIFICATION: SEE PS-45719-001.
 9. 0.50 X 45° CHAMFER ON LEADING EDGE, TYP 4 SIDES.
 10. THIS PART IS RoHS COMPLIANT. SEE ES-45482-999 FOR LABEL REQUIREMENTS.



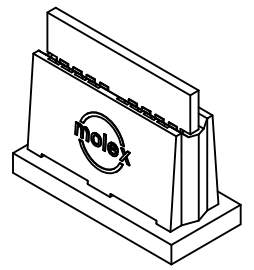
PCB LAYOUT: COMPONENT SIDE
*** = TO BE DETERMINED BY CUSTOMER



RECOMMENDED EDGE CARD LAYOUT
TOLERANCE: ± 0.05



TOOLING STATUS	MATERIAL NUMBER	SEGMENTS	FINISH (SHT 2)	VOID LOCATIONS
N/T	45845-1000	1	1	NONE
TOOLED	45845-0001	2	1	NONE
TOOLED	45845-0002	3	1	NONE
TOOLED	45845-0003	4	1	NONE
TOOLED	45845-1001	2	1	SEG 1 CKT 7, 8
TOOLED	45845-1003	3	1	SEGS 1, 2 CKTS 5,6,15,16
TOOLED	45845-3001	2	1	SEG 1 CKTS 3,4,7,8



ADD SHTS 4, 5	2012/06/01	DESCRIPTION
EC NO: UCP2012-2806	2012/02/23	
DRWN: JSCHAFFER		
CHKD:		
APPR: APATEL		
REV		

GENERAL TOLERANCES (UNLESS SPECIFIED)	
	mm INCH
4 PLACES	± --- ± ---
3 PLACES	± --- ± ---
2 PLACES	± 0.25 ± ---
1 PLACE	± --- ± ---
ANGULAR ± 1/2°	
DRAFT WHERE APPLICABLE MUST REMAIN WITHIN DIMENSIONS	

DIMENSION STYLE	
MM ONLY	
DRAWN BY	DATE
MARGULIS	2004/08/05
CHECKED BY	DATE
MARGULIS	2004/08/05
APPROVED BY	DATE
MARGULIS	2004/08/05
MATERIAL NUMBER	SEE CHART
SIZE	A

SCALE	DESIGN UNITS	THIRD ANGLE PROJECTION
2:1	METRIC	☉
TITLE		
POWER EDGE ASSEMBLY SIGNAL VERTICAL CPI		
molex MOLEX INCORPORATED		
DOCUMENT NO.	SHEET NO.	
SD-45845-001	1 OF 5	
THIS DRAWING CONTAINS INFORMATION THAT IS PROPRIETARY TO MOLEX INCORPORATED AND SHOULD NOT BE USED WITHOUT WRITTEN PERMISSION		

6

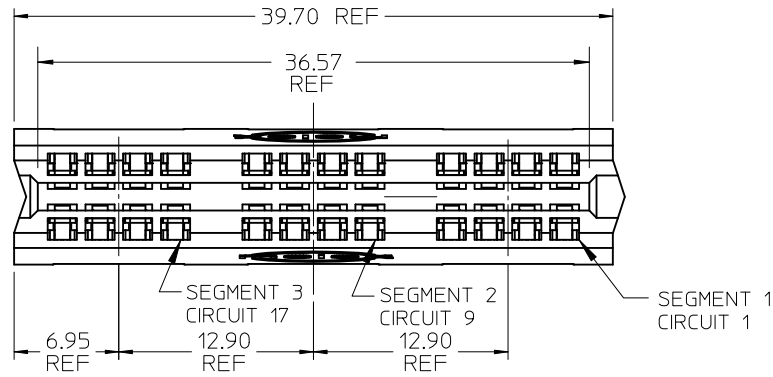
5

4

3

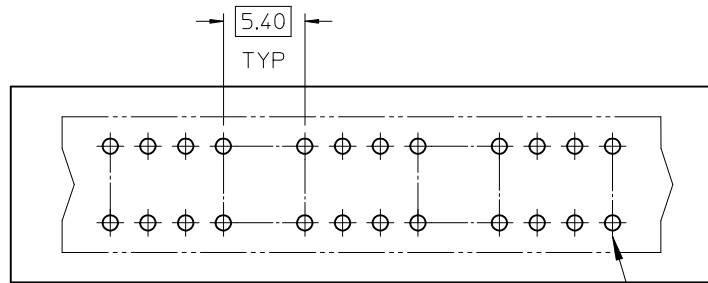
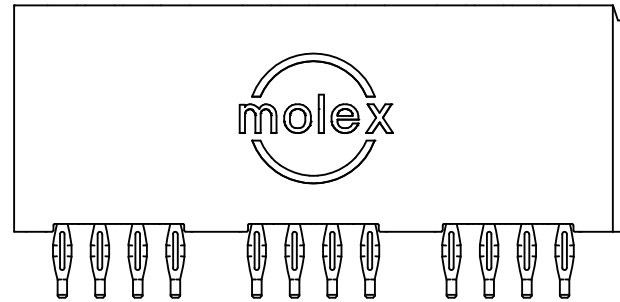
2

1



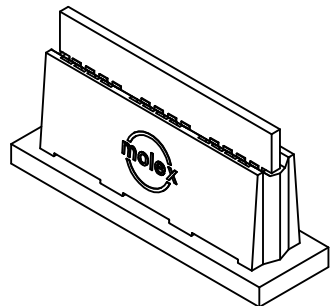
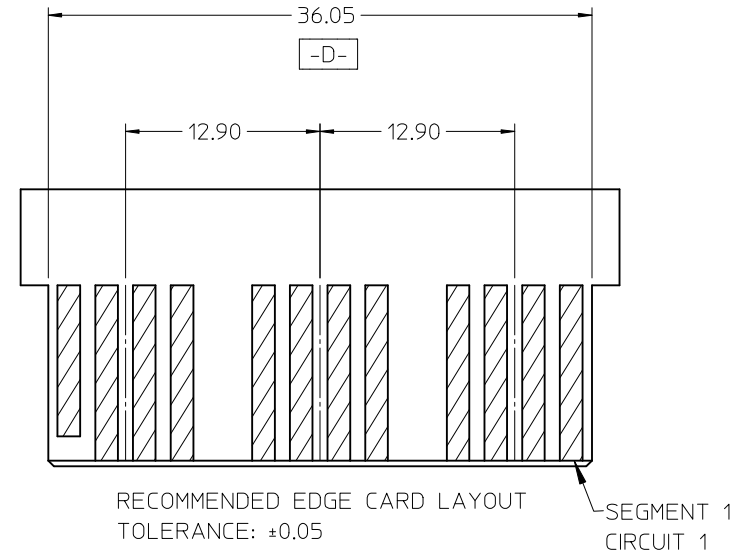
NOTES

1. FOR NOTES AND DIMENSIONS NOT SHOWN SEE SHEET 1



PCB LAYOUT: COMPONENT SIDE

SEGMENT 1
CIRCUIT 1



EC NO: UCP2012-2806	DRWN: JSCHAFFER	2012/02/23	CHKD: APATEL	2012/06/01	DESCRIPTION
REV					

GENERAL TOLERANCES (UNLESS SPECIFIED)		
	mm	INCH
4 PLACES	± ---	± ---
3 PLACES	± ---	± ---
2 PLACES	± 0.25	± ---
1 PLACE	± ---	± ---
ANGULAR ±1/2°		
DRAFT WHERE APPLICABLE MUST REMAIN WITHIN DIMENSIONS		

DIMENSION STYLE MM ONLY	
DRAWN BY	DATE
MARGUL IS	2004/08/05
CHECKED BY	DATE
MARGUL IS	2004/08/05
APPROVED BY	DATE
MARGUL IS	2004/08/05
MATERIAL NUMBER SEE CHART	
SIZE A	THIS DRAWING CONTAINS INFORMATION THAT IS PROPRIETARY TO MOLEX INCORPORATED AND SHOULD NOT BE USED WITHOUT WRITTEN PERMISSION

SCALE 2:1	DESIGN UNITS METRIC	THIRD ANGLE PROJECTION
TITLE POWER EDGE ASSEMBLY SIGNAL VERTICAL CPI		
molex MOLEX INCORPORATED		
DOCUMENT NO. SD-45845-001	SHEET NO. 2 OF 5	

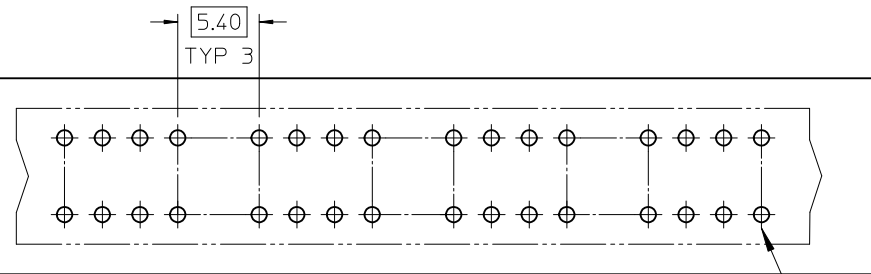
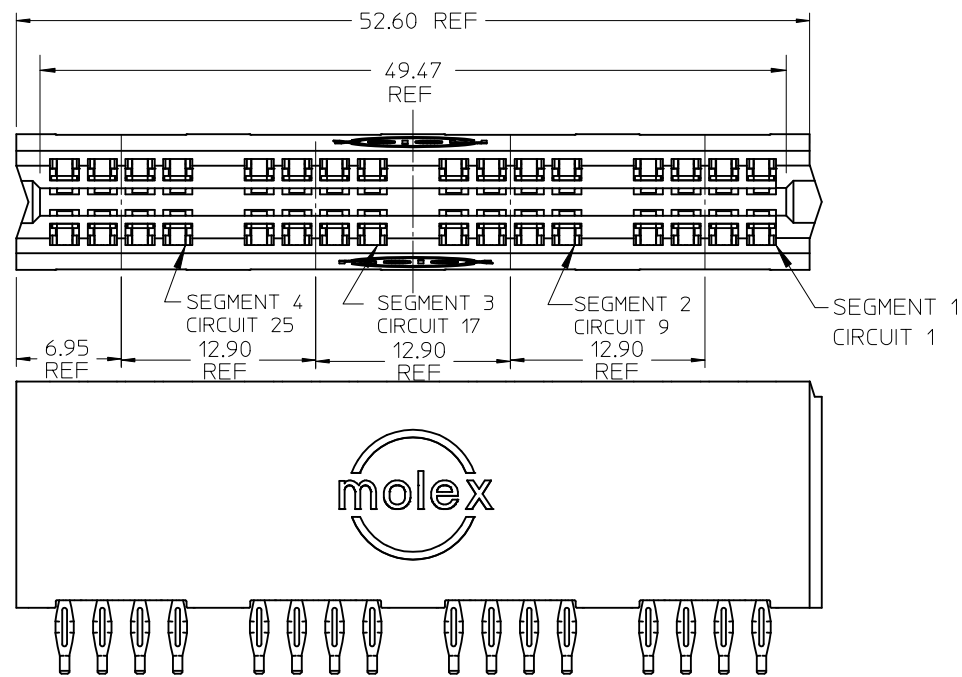
5

4

3

2

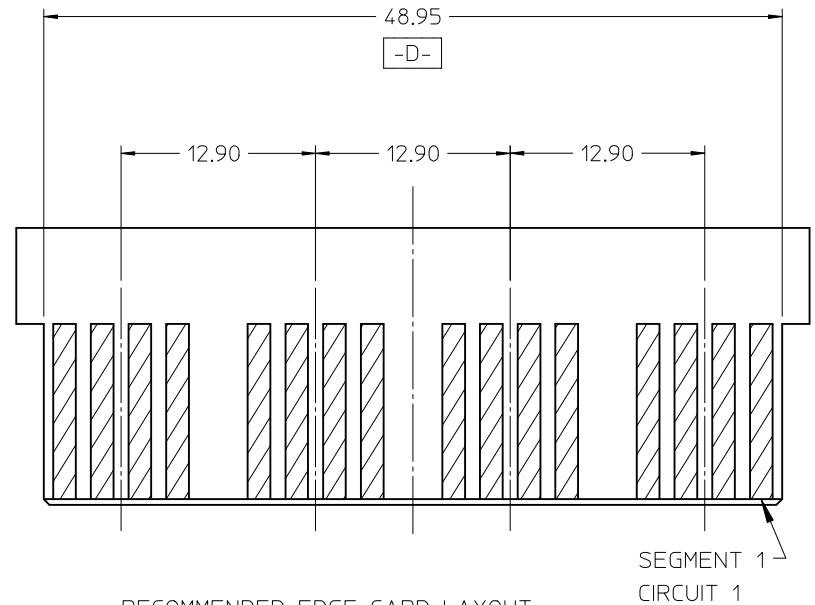
1



PCB LAYOUT: COMPONENT SIDE

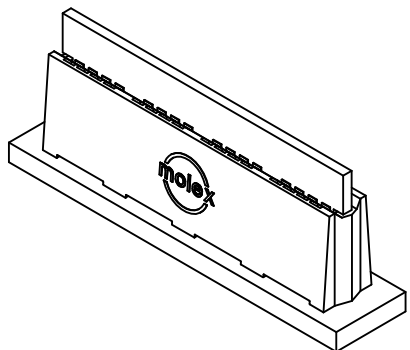
SEGMENT 1
CIRCUIT 1

NOTE
FOR ALL OTHER DIMENSIONS AND NOTES SEE SHEET 1.



RECOMMENDED EDGE CARD LAYOUT
TOLERANCE: ±0.05

SEGMENT 1
CIRCUIT 1



EC NO: UCP2012-2806	DRWN: JSCHAFFER	2012/02/23	CHKD: APATEL	2012/06/01	DESCRIPTION
	APPR: APATEL				
	REV				

GENERAL TOLERANCES (UNLESS SPECIFIED)		
	mm	INCH
4 PLACES	± ---	± ---
3 PLACES	± ---	± ---
2 PLACES	± 0.25	± ---
1 PLACE	± ---	± ---
ANGULAR ±1/2°		
DRAFT WHERE APPLICABLE MUST REMAIN WITHIN DIMENSIONS		

DIMENSION STYLE		SCALE	DESIGN UNITS	THIRD ANGLE PROJECTION
MM ONLY		2:1	METRIC	
DRAWN BY	DATE	TITLE		
MARGUL IS	2004/08/05	POWER EDGE ASSEMBLY SIGNAL VERTICAL CPI		
CHECKED BY	DATE	MOLEX INCORPORATED		
MARGUL IS	2004/08/05	DOCUMENT NO. SD-45845-001		
APPROVED BY	DATE	SHEET NO. 3 OF 5		
MARGUL IS	2004/08/05			
MATERIAL NUMBER	SEE CHART	THIS DRAWING CONTAINS INFORMATION THAT IS PROPRIETARY TO MOLEX INCORPORATED AND SHOULD NOT BE USED WITHOUT WRITTEN PERMISSION		
SIZE	A			

6

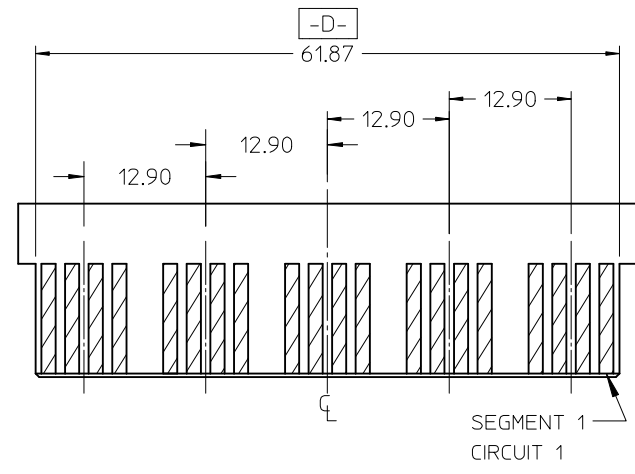
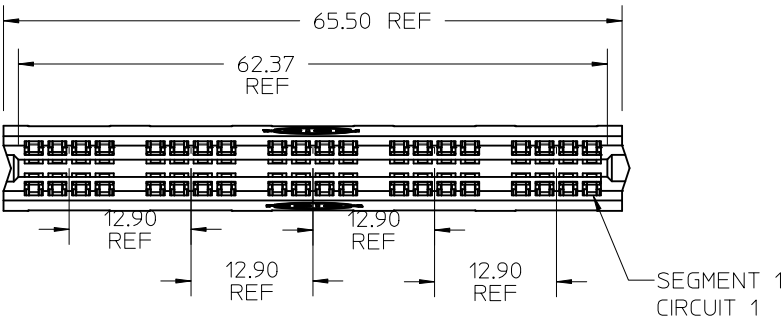
5

4

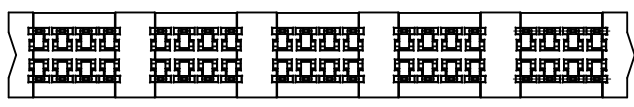
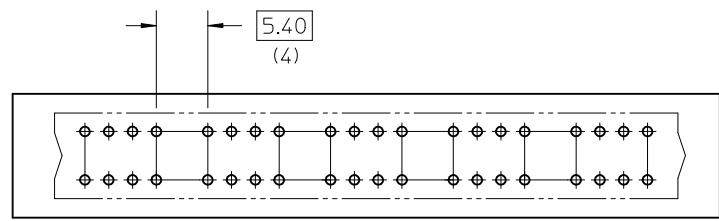
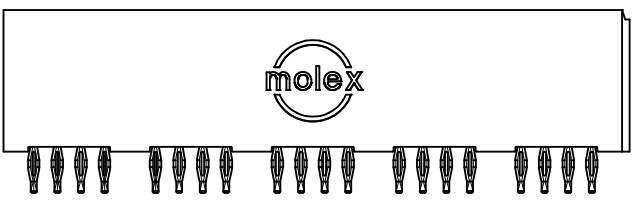
3

2

1



RECOMMENDED EDGE CARD LAYOUT
TOLERANCE: ±0.05



TOOLING STATUS	MATERIAL NUMBER	SEGMENTS	FINISH	VOID LOCATIONS
NOT TOOLED	45845-0004	5	1	NONE

5-SEGMENT ASSEMBLIES

ENTER DESCRIPTION EC NO: UCP2012-2806 DRWN: JSCHAFFER 2012/02/23 CHKD: APPR: APATEL 2012/06/01	QUALITY SYMBOLS	DESCRIPTION
REV		

GENERAL TOLERANCES (UNLESS SPECIFIED)	
	mm INCH
4 PLACES	± --- ± ---
3 PLACES	± --- ± ---
2 PLACES	± 0.25 ± ---
1 PLACE	± --- ± ---
ANGULAR ±1/2°	
DRAFT WHERE APPLICABLE MUST REMAIN WITHIN DIMENSIONS	

DIMENSION STYLE MM ONLY	
DRAWN BY	DATE
MARGUL IS	2004/08/05
CHECKED BY	DATE
MARGUL IS	2004/08/05
APPROVED BY	DATE
MARGUL IS	2004/08/05
MATERIAL NO.	
SEE CHART	

SCALE 1.25:1	DESIGN UNITS METRIC	THIRD ANGLE PROJECTION
TITLE POWER EDGE ASSEMBLY SIGNAL VERTICAL CPI		
molex MOLEX INCORPORATED		
DOCUMENT NO. SD-45845-001	SHEET NO. 4 OF 5	

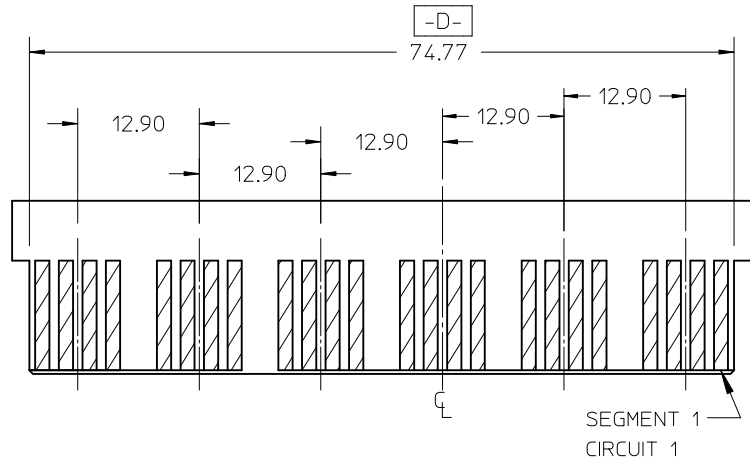
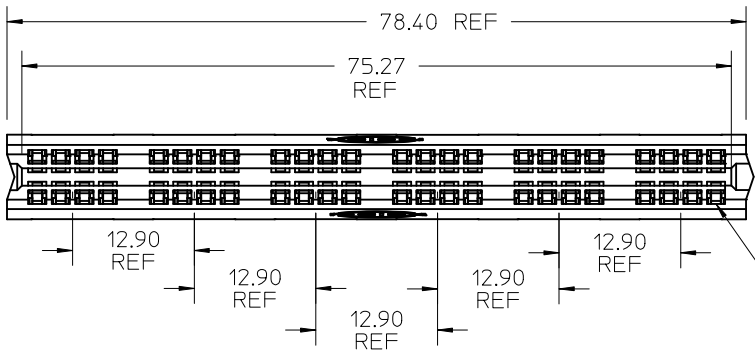
5

4

3

2

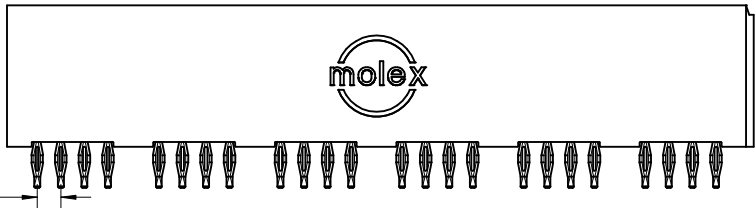
1



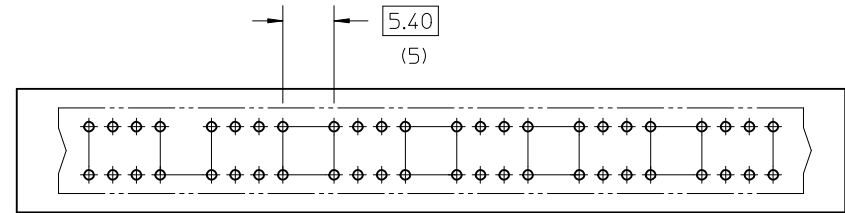
SEGMENT 1
CIRCUIT 1

SEGMENT 1
CIRCUIT 1

RECOMMENDED EDGE CARD LAYOUT
TOLERANCE: ±0.05



2.50
(18)



5.40
(5)

TOOLING STATUS	MATERIAL NUMBER	SEG-MENTS	FINISH	VOID LOCATIONS
NOT TOOLED	45845-0005	6	1	NONE

6-SEGMENT ASSEMBLIES

ENTER DESCRIPTION EC NO: UCP2012-2806 DRWN: JSCHAFFER 2012/02/23 CHKD: APPR: APATEL 2012/06/01	DESCRIPTION REV	QUALITY SYMBOLS	GENERAL TOLERANCES (UNLESS SPECIFIED)		DIMENSION STYLE MM ONLY		SCALE 1.25:1	DESIGN UNITS METRIC	THIRD ANGLE PROJECTION
		▽=0	mm	INCH	DRAWN BY MARGULIS	DATE 2004/08/05	TITLE POWER EDGE ASSEMBLY SIGNAL VERTICAL CPI		
		▽=0	4 PLACES ± ---	± ---	CHECKED BY MARGULIS	DATE 2004/08/05			
		▽=0	3 PLACES ± ---	± ---	APPROVED BY MARGULIS	DATE 2004/08/05	MOLEX INCORPORATED		
			2 PLACES ± 0.25	± ---	MATERIAL NO. SEE CHART		DOCUMENT NO. SD-45845-001	SHEET NO. 5 OF 5	
			1 PLACE ± ---	± ---	THIS DRAWING CONTAINS INFORMATION THAT IS PROPRIETARY TO MOLEX INCORPORATED AND SHOULD NOT BE USED WITHOUT WRITTEN PERMISSION				
DRAFT WHERE APPLICABLE MUST REMAIN WITHIN DIMENSIONS									