



Chipsmall Limited consists of a professional team with an average of over 10 year of expertise in the distribution of electronic components. Based in Hongkong, we have already established firm and mutual-benefit business relationships with customers from,Europe,America and south Asia,supplying obsolete and hard-to-find components to meet their specific needs.

With the principle of “Quality Parts,Customers Priority,Honest Operation,and Considerate Service”,our business mainly focus on the distribution of electronic components. Line cards we deal with include Microchip,ALPS,ROHM,Xilinx,Pulse,ON,Everlight and Freescale. Main products comprise IC,Modules,Potentiometer,IC Socket,Relay,Connector.Our parts cover such applications as commercial,industrial, and automotives areas.

We are looking forward to setting up business relationship with you and hope to provide you with the best service and solution. Let us make a better world for our industry!



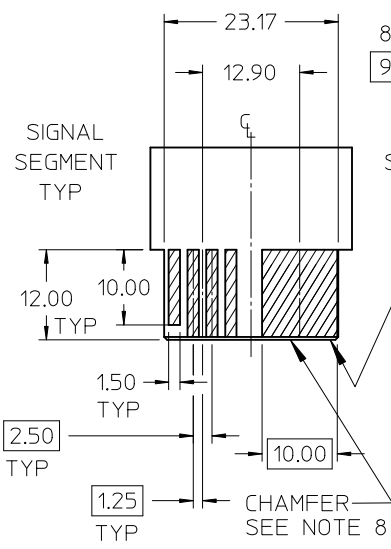
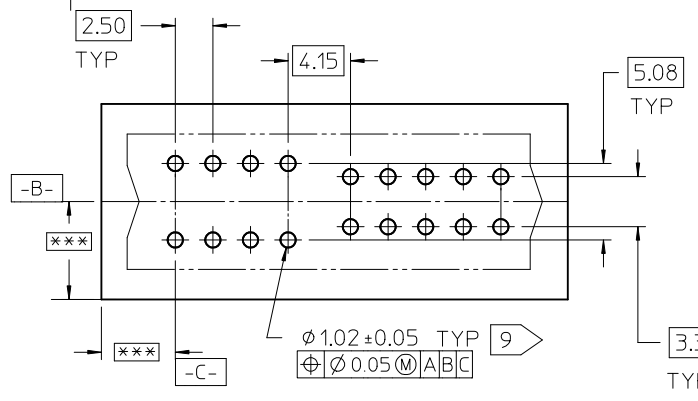
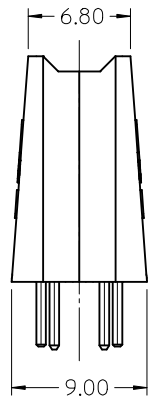
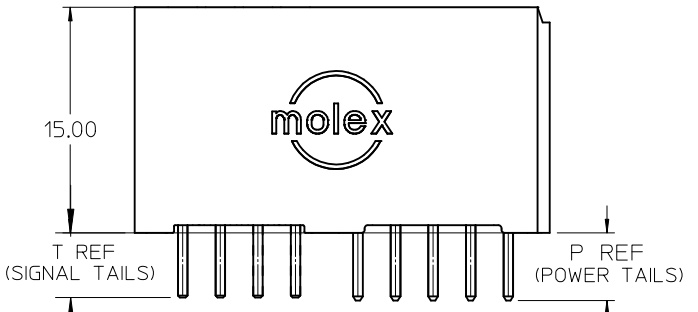
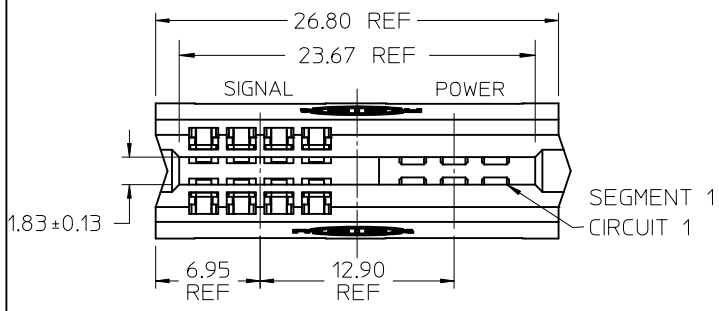
Contact us

Tel: +86-755-8981 8866 Fax: +86-755-8427 6832

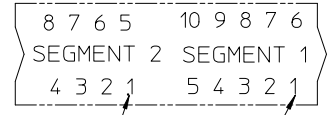
Email & Skype: info@chipsmall.com Web: www.chipsmall.com

Address: A1208, Overseas Decoration Building, #122 Zhenhua RD., Futian, Shenzhen, China





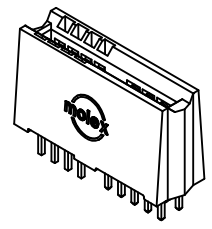
- NOTES:
- MATERIAL: HOUSING - LCP, UL94V-0, BLACK
MATERIAL: TERMINALS - COPPER ALLOY
 - FINISH: SELECT GOLD: 30 MI MIN IN CONTACT AREA
SELECT TIN: 150 MI MIN IN PC TAIL AREA
BOTH OVER NICKEL: 50 MI MIN
 - PRODUCT SPECIFICATION: PS-45719-001.
 - PACKAGING SPECIFICATION: ES-45714-001.
 - PCB THICKNESS: SEE CHART
 - EDGE CARD THICKNESS: 1.57±0.15
 - DIMENSIONS GIVEN ACROSS CENTERLINES ARE SYMMETRICAL ABOUT THOSE CENTERLINES WITHIN HALF THE TOTAL TOLERANCE.
 - 0.50 X 45°CHAMFER ON LEADING EDGE, TYP 4 SIDES.
 - PCB HOLE SIZE SPECIFICATION: SEE PS-45719-001



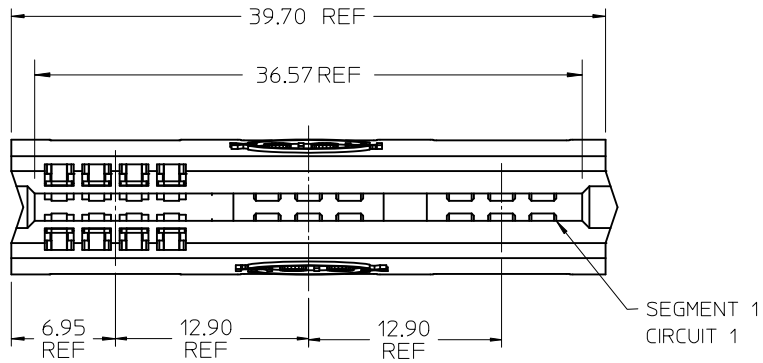
| TOOLING STATUS | MATERIAL NUMBER | SEGMENT | SEGMENT | DIM | | PCB THK |
|----------------|-----------------|---------|---------|------|------|---------|
| | | | | P | T | |
| TOOLED | 45911-0001 | SIGNAL | POWER | 4.50 | 3.18 | 3.18 |
| TOOLED | 45911-0002 | POWER | SIGNAL | 4.33 | 2.36 | 2.36 |
| TOOLED | 45911-0003 | SIGNAL | POWER | 3.19 | 1.57 | 1.57 |
| TOOLED | 45911-0004 | POWER | SIGNAL | 3.19 | 1.57 | 1.57 |
| TOOLED | SEE 45844 | SIGNAL | SIGNAL | --- | --- | --- |
| TOOLED | SEE 45719 | POWER | POWER | --- | --- | --- |

PCB LAYOUT: COMPONENT SIDE
*** = TO BE DETERMINED BY CUSTOMER

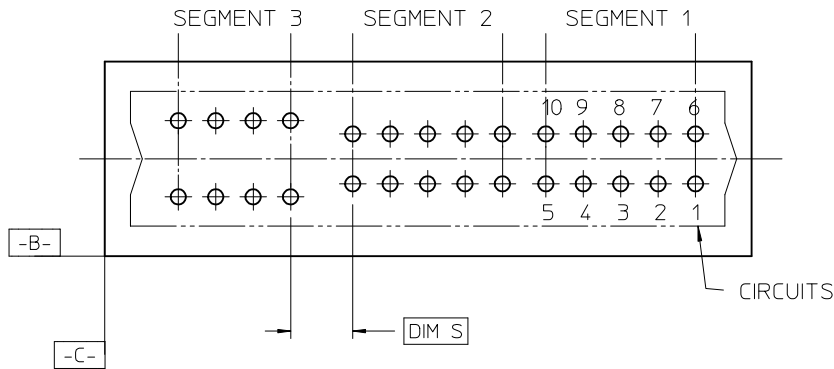
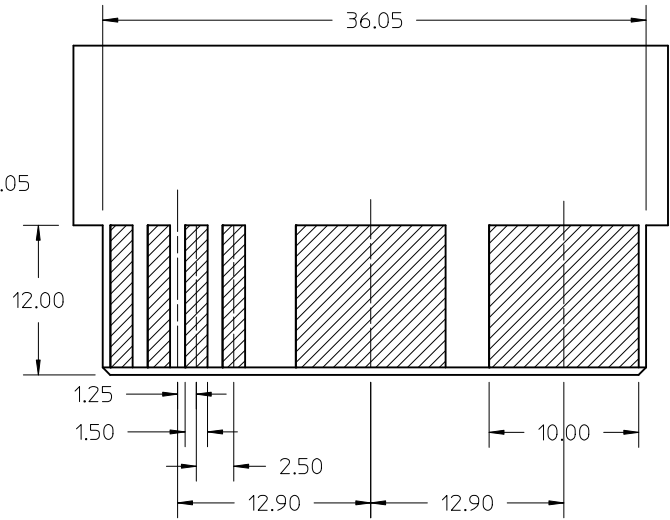
MOLEX P/N 45911-0001 SHOWN



| | | | | | | | | | | |
|---|--|---------------------------------------|--------|------------------------------|---|------------------------------|---|------------------------|--|--|
| ADD 5.6 SEGMENT PARTS EC NO: UCP2012-2806 DRWN: JSCHAFFER 2012/02/22 CHKD: APPR: APATEL 2012/06/01 DESCRIPTION | QUALITY SYMBOLS | GENERAL TOLERANCES (UNLESS SPECIFIED) | | DIMENSION STYLE MM ONLY | | SCALE 2:1 | DESIGN UNITS METRIC | THIRD ANGLE PROJECTION | | |
| | | mm | INCH | DRAWN BY | DATE | TITLE | | | | |
| | | 4 PLACES | ± --- | ± --- | SAMIEC | 2005/04/14 | POWER EDGE ASSEMBLY POWER / SIGNAL MIXED VERTICAL SOLDER TAIL | | | |
| | | 3 PLACES | ± --- | ± --- | CHECKED BY | DATE | | | | |
| | | 2 PLACES | ± 0.25 | ± --- | SAMIEC | 2005/04/14 | MOLEX INCORPORATED | | | |
| | 1 PLACE | ± 0.25 | ± --- | APPROVED BY | DATE | | | | | |
| | | ANGULAR ±1/2° | | MARGULIS | 2005/04/14 | DOCUMENT NO. SD-45911-001 | | SHEET NO. 1 OF 8 | | |
| | DRAFT WHERE APPLICABLE MUST REMAIN WITHIN DIMENSIONS | | | MATERIAL NUMBER SEE CHART | THIS DRAWING CONTAINS INFORMATION THAT IS PROPRIETARY TO MOLEX INCORPORATED AND SHOULD NOT BE USED WITHOUT WRITTEN PERMISSION | | | | | |



RECOMMENDED
EDGE CARD
LAYOUT
TOLERANCE: ±0.05

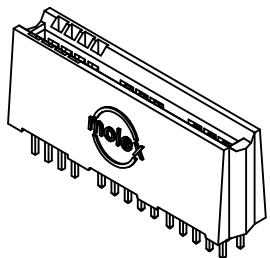


DIM S BETWEEN SIGNAL SEG AND SIGNAL SEG: 5.40
 DIM S BETWEEN POWER SEG AND POWER SEG: 2.90
 DIM S BETWEEN SIGNAL SEG AND POWER SEG: 4.15

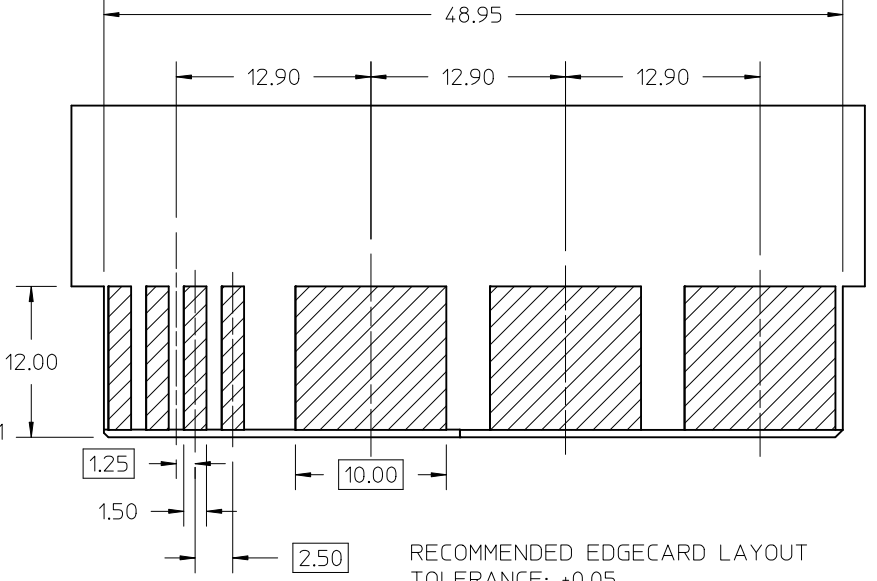
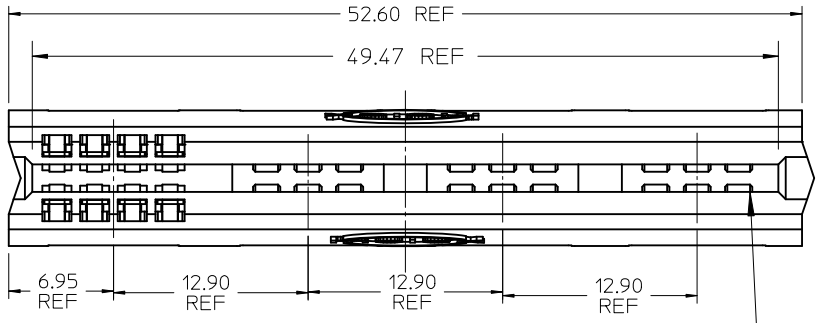
PCB LAYOUT: COMPONENT SIDE

MATERIAL NUMBER: 45911-0007 SHOWN
 SEE SHEET ONE FOR ALL OTHER NOTES AND DIMENSIONS

| TOOLING STATUS | MATERIAL NUMBER | SEGMENT 3 | SEGMENT 2 | SEGMENT 1 | DIM P / DIM T | PCB THK |
|----------------|-----------------|-----------|-----------|-----------|---------------|---------|
| TOOLED | 45911-0007 | SIGNAL | POWER | POWER | 4.50 / 4.33 | 3.18 |
| TOOLED | 45911-0008 | POWER | SIGNAL | POWER | | |
| TOOLED | 45911-0009 | SIGNAL | SIGNAL | POWER | | |
| TOOLED | 45911-0010 | SIGNAL | POWER | SIGNAL | | |
| TOOLED | 45911-0011 | POWER | SIGNAL | SIGNAL | 3.19 / 3.19 | 1.57 |
| TOOLED | 45911-0012 | POWER | POWER | SIGNAL | | |
| TOOLED | 45911-0013 | SIGNAL | POWER | POWER | | |
| TOOLED | 45911-0014 | POWER | SIGNAL | POWER | | |
| TOOLED | 45911-0015 | SIGNAL | SIGNAL | POWER | 3.19 / 3.19 | 1.57 |
| TOOLED | 45911-0016 | SIGNAL | POWER | SIGNAL | | |
| TOOLED | 45911-0017 | POWER | SIGNAL | SIGNAL | | |
| TOOLED | 45911-0018 | POWER | POWER | SIGNAL | | |



| | | | | | | | | | |
|---|-----------------|--|--------|------------------------------|-------------------------|--|---|------------------------|--|
| EC NO: UCP2012-2806 DRWN: JSCHAFFER 2012/02/22 CHKD: APPR: APATEL 2012/06/01 DESCRIPTION REV J | QUALITY SYMBOLS | GENERAL TOLERANCES (UNLESS SPECIFIED) | | DIMENSION STYLE MM ONLY | | SCALE 1:1 | DESIGN UNITS METRIC | THIRD ANGLE PROJECTION | |
| | | 4 PLACES | ± --- | ± --- | DRAWN BY SAMIEC | DATE 2005/04/14 | TITLE POWER EDGE ASSEMBLY POWER / SIGNAL MIXED VERTICAL SOLDER TAIL | | |
| | | 3 PLACES | ± --- | ± --- | CHECKED BY | DATE | | | |
| | | 2 PLACES | ± 0.25 | ± --- | SAMIEC | 2005/04/14 | MOLEX INCORPORATED DOCUMENT NO. SD-45911-001 | | |
| | | 1 PLACE | ± 0.25 | ± --- | APPROVED BY MARGULIS | DATE 2005/04/14 | | | |
| | | ANGULAR ±1/2° | | MATERIAL NUMBER SEE CHART | | SHEET NO. 2 OF 8 | | | |
| | | DRAFT WHERE APPLICABLE MUST REMAIN WITHIN DIMENSIONS | | SIZE A | | THIS DRAWING CONTAINS INFORMATION THAT IS PROPRIETARY TO MOLEX INCORPORATED AND SHOULD NOT BE USED WITHOUT WRITTEN PERMISSION | | | |



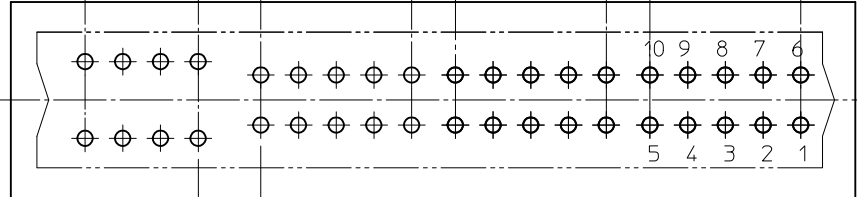
SEGMENT 1
CIRCUIT 1

RECOMMENDED EDGE CARD LAYOUT
TOLERANCE: ±0.05

SEE CHART ON SHEET 4
FOR MATERIAL NUMBERS

PART NUMBER 45911-0025
SHOWN FOR REFERENCE

SEGMENT 4 SEGMENT 3 SEGMENT 2 SEGMENT 1

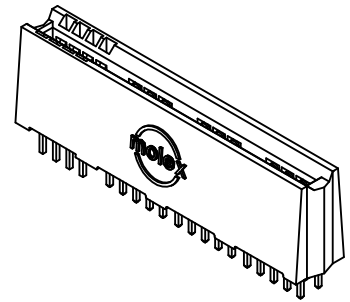


-B-

-C-

DIM S BETWEEN SIGNAL SEG AND SIGNAL SEG: 5.40
DIM S BETWEEN POWER SEG AND POWER SEG: 2.90
DIM S BETWEEN SIGNAL SEG AND POWER SEG: 4.15

PCB LAYOUT: COMPONENT SIDE



| | | | | | | | | | | |
|---|-----------------|---------------------------------------|---------------|-----------------------------------|---|---------------------|---|------------------------|--|--|
| EC NO: UCP2012-2806 DRWN: JSCHAFFER 2012/02/22 CHKD: APPR: APATEL 2012/06/01 DESCRIPTION REV | QUALITY SYMBOLS | GENERAL TOLERANCES (UNLESS SPECIFIED) | | DIMENSION STYLE MM ONLY | | SCALE 2:1 | DESIGN UNITS METRIC | THIRD ANGLE PROJECTION | | |
| | | | mm | INCH | DRAWN BY SAMIEC | DATE 2005/04/14 | TITLE POWER EDGE ASSEMBLY POWER / SIGNAL MIXED VERTICAL SOLDER TAIL | | | |
| | | 4 PLACES | ± --- | ± --- | CHECKED BY SAMIEC | DATE 2005/04/14 | | | | |
| | | 3 PLACES | ± --- | ± --- | APPROVED BY MARGULIS | DATE 2005/04/14 | MOLEX INCORPORATED | | | |
| | | 2 PLACES | ± 0.25 | ± --- | MATERIAL NUMBER SEE CHART ON SHEET 4 | | | | | |
| 1 PLACE | ± 0.25 | ± --- | ANGULAR ±1/2° | | THIS DRAWING CONTAINS INFORMATION THAT IS PROPRIETARY TO MOLEX INCORPORATED AND SHOULD NOT BE USED WITHOUT WRITTEN PERMISSION | | | | | |

DRAFT WHERE APPLICABLE
MUST REMAIN
WITHIN DIMENSIONS

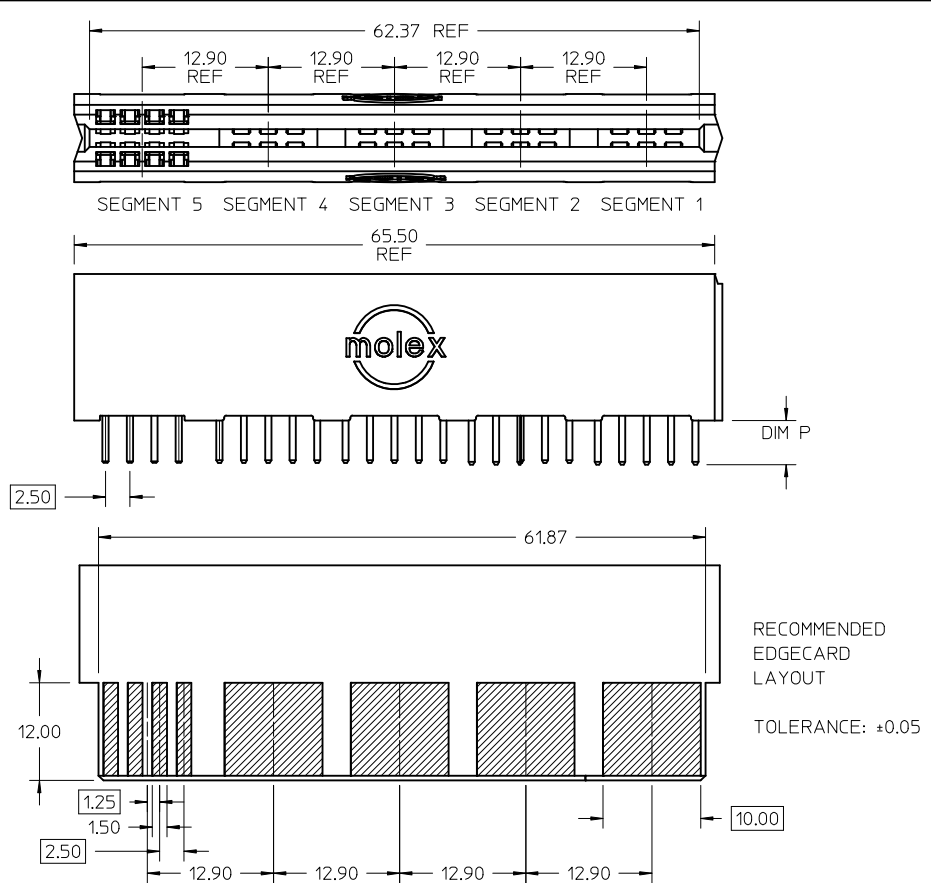
| | 6 | | 5 | | | 4 | | |
|---|----------------|-----------------|-----------|-----------|-----------|-----------|----------------------------------|--|
| | TOOLING STATUS | MATERIAL NUMBER | SEGMENT 4 | SEGMENT 3 | SEGMENT 2 | SEGMENT 1 | $\frac{DIM P}{DIM T}$ PCB THK | |
| D | TOOLED | 45911-0025 | SIGNAL | POWER | POWER | POWER | $\frac{4.50}{4.33}$ 3.18 2.36 | |
| | TOOLED | 45911-0026 | POWER | SIGNAL | POWER | POWER | | |
| | TOOLED | 45911-0027 | SIGNAL | SIGNAL | POWER | POWER | | |
| | TOOLED | 45911-0028 | SIGNAL | POWER | SIGNAL | POWER | | |
| | TOOLED | 45911-0029 | POWER | SIGNAL | SIGNAL | POWER | | |
| | TOOLED | 45911-0030 | POWER | POWER | SIGNAL | POWER | | |
| | TOOLED | 45911-0031 | SIGNAL | SIGNAL | SIGNAL | POWER | | |
| | TOOLED | 45911-0032 | SIGNAL | POWER | POWER | SIGNAL | | |
| | TOOLED | 45911-0033 | POWER | SIGNAL | POWER | SIGNAL | | |
| | TOOLED | 45911-0034 | SIGNAL | SIGNAL | POWER | SIGNAL | | |
| C | TOOLED | 45911-0035 | SIGNAL | POWER | SIGNAL | SIGNAL | | |
| | TOOLED | 45911-0036 | POWER | SIGNAL | SIGNAL | SIGNAL | | |
| | TOOLED | 45911-0037 | POWER | POWER | SIGNAL | SIGNAL | | |
| | TOOLED | 45911-0038 | POWER | POWER | POWER | SIGNAL | | |

| | 3 | | 2 | | | 1 | | |
|---|----------------|-----------------|-----------|-----------|-----------|-----------|-------------------------------|--|
| | TOOLING STATUS | MATERIAL NUMBER | SEGMENT 4 | SEGMENT 3 | SEGMENT 2 | SEGMENT 1 | $\frac{DIM P}{DIM T}$ PCB THK | |
| D | TOOLED | 45911-0039 | SIGNAL | POWER | POWER | POWER | $\frac{3.19}{3.19}$ 1.57 | |
| | TOOLED | 45911-0040 | POWER | SIGNAL | POWER | POWER | | |
| | TOOLED | 45911-0041 | SIGNAL | SIGNAL | POWER | POWER | | |
| | TOOLED | 45911-0042 | SIGNAL | POWER | SIGNAL | POWER | | |
| | TOOLED | 45911-0043 | POWER | SIGNAL | SIGNAL | POWER | | |
| | TOOLED | 45911-0044 | POWER | POWER | SIGNAL | POWER | | |
| | TOOLED | 45911-0045 | SIGNAL | SIGNAL | SIGNAL | POWER | | |
| | TOOLED | 45911-0046 | SIGNAL | POWER | POWER | SIGNAL | | |
| | TOOLED | 45911-0047 | POWER | SIGNAL | POWER | SIGNAL | | |
| | TOOLED | 45911-0048 | SIGNAL | SIGNAL | POWER | SIGNAL | | |
| C | TOOLED | 45911-0049 | SIGNAL | POWER | SIGNAL | SIGNAL | | |
| | TOOLED | 45911-0050 | POWER | SIGNAL | SIGNAL | SIGNAL | | |
| | TOOLED | 45911-0051 | POWER | POWER | SIGNAL | SIGNAL | | |
| | TOOLED | 45911-0052 | POWER | POWER | POWER | SIGNAL | | |



| | | | | | | | | | |
|---------|---|--|--------|-----------------------------------|----------------------|--|---|------------------------|--|
| A | EC NO: UCP2012-2806 DRWN: JSCHAFFER CHKD: APPR: APATEL 2012/06/01 DESCRIPTION REV | GENERAL TOLERANCES (UNLESS SPECIFIED) | | DIMENSION STYLE MM ONLY | | SCALE 1:1 | DESIGN UNITS METRIC | THIRD ANGLE PROJECTION | |
| | | | mm | INCH | DRAWN BY SAMIEC | DATE 2005/04/14 | TITLE POWER EDGE ASSEMBLY POWER / SIGNAL MIXED VERTICAL SOLDER TAIL MOLEX INCORPORATED DOCUMENT NO. SD-45911-001 | | |
| | | 4 PLACES | ± --- | ± --- | CHECKED BY SAMIEC | DATE 2005/04/14 | | | |
| | | 3 PLACES | ± --- | ± --- | | | | | |
| | | 2 PLACES | ± 0.25 | ± --- | | | | | |
| 1 PLACE | ± 0.25 | ± --- | | | | SHEET NO. 4 OF 8 | | | |
| | | ANGULAR ±1/2° | | MATERIAL NO. SEE CHART | | | | | |
| | | DRAFT WHERE APPLICABLE MUST REMAIN WITHIN DIMENSIONS | | SIZE A | | THIS DRAWING CONTAINS INFORMATION THAT IS PROPRIETARY TO MOLEX INCORPORATED AND SHOULD NOT BE USED WITHOUT WRITTEN PERMISSION | | | |

| | 10 | 9 | 8 | 7 | 6 | 5 | 4 | 3 | 2 | 1 |
|---|----------------|-----------------|----------------|----------------|----------------|----------------|----------------|---|---|---|
| | TOOLING STATUS | MATERIAL NUMBER | SEG 5 TERMINAL | SEG 4 TERMINAL | SEG 3 TERMINAL | SEG 2 TERMINAL | SEG 1 TERMINAL | | | |
| F | NOT TOOLED | 45911-0055 | POWER | SIGNAL | SIGNAL | SIGNAL | SIGNAL | | | |
| | NOT TOOLED | 45911-0056 | SIGNAL | SIGNAL | POWER | POWER | POWER | | | |
| | NOT TOOLED | 45911-0057 | POWER | POWER | SIGNAL | POWER | POWER | | | |
| | NOT TOOLED | 45911-0058 | SIGNAL | SIGNAL | SIGNAL | POWER | POWER | | | |
| | NOT TOOLED | 45911-0059 | SIGNAL | SIGNAL | POWER | SIGNAL | POWER | | | |
| | NOT TOOLED | 45911-0060 | POWER | POWER | SIGNAL | SIGNAL | POWER | | | |
| E | NOT TOOLED | 45911-0061 | POWER | POWER | POWER | SIGNAL | POWER | | | |
| | NOT TOOLED | 45911-0062 | SIGNAL | SIGNAL | SIGNAL | SIGNAL | POWER | | | |
| | NOT TOOLED | 45911-0063 | SIGNAL | SIGNAL | POWER | POWER | SIGNAL | | | |
| | NOT TOOLED | 45911-0064 | POWER | POWER | SIGNAL | POWER | SIGNAL | | | |
| | NOT TOOLED | 45911-0065 | SIGNAL | SIGNAL | SIGNAL | POWER | SIGNAL | | | |
| | NOT TOOLED | 45911-0066 | SIGNAL | SIGNAL | POWER | SIGNAL | SIGNAL | | | |
| D | NOT TOOLED | 45911-0067 | POWER | POWER | SIGNAL | SIGNAL | SIGNAL | | | |
| | NOT TOOLED | 45911-0068 | POWER | POWER | POWER | SIGNAL | SIGNAL | | | |
| | NOT TOOLED | 45911-0069 | POWER | POWER | POWER | POWER | SIGNAL | | | |
| | NOT TOOLED | 45911-0070 | POWER | POWER | POWER | SIGNAL | POWER | | | |
| | NOT TOOLED | 45911-0071 | POWER | POWER | SIGNAL | POWER | POWER | | | |
| C | NOT TOOLED | 45911-0072 | POWER | SIGNAL | SIGNAL | SIGNAL | POWER | | | |
| | NOT TOOLED | 45911-0073 | POWER | SIGNAL | POWER | SIGNAL | SIGNAL | | | |
| | NOT TOOLED | 45911-0074 | POWER | SIGNAL | POWER | POWER | POWER | | | |
| | NOT TOOLED | 45911-0075 | POWER | SIGNAL | POWER | SIGNAL | POWER | | | |
| | NOT TOOLED | 45911-0076 | POWER | POWER | POWER | SIGNAL | POWER | | | |
| B | NOT TOOLED | 45911-0077 | SIGNAL | POWER | SIGNAL | POWER | SIGNAL | | | |
| | NOT TOOLED | 45911-0078 | SIGNAL | POWER | POWER | POWER | POWER | | | |
| | NOT TOOLED | 45911-0079 | SIGNAL | POWER | POWER | POWER | SIGNAL | | | |
| | NOT TOOLED | 45911-0080 | SIGNAL | POWER | SIGNAL | SIGNAL | SIGNAL | | | |
| | NOT TOOLED | 45911-0081 | SIGNAL | SIGNAL | SIGNAL | SIGNAL | POWER | | | |
| | NOT TOOLED | 45911-0082 | SIGNAL | POWER | POWER | SIGNAL | SIGNAL | | | |
| A | NOT TOOLED | 45911-0083 | POWER | SIGNAL | SIGNAL | POWER | SIGNAL | | | |

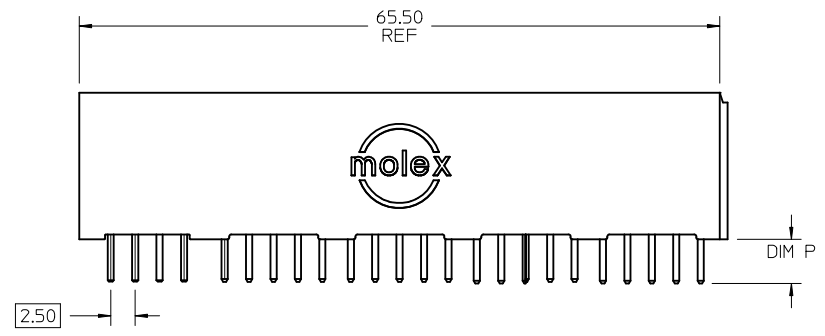
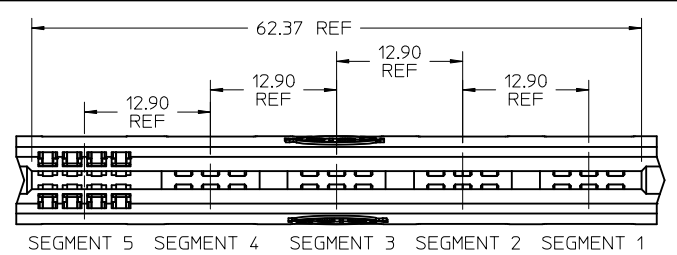


FIVE-SEGMENT PARTS
PART NUMBER 45911-0079
SHOWN FOR REFERENCE

| | | | | | | |
|---|-----------------|--|---|---|------------------------|------------------------|
| ENTER DESCRIPTION EC NO: UCP2012-2806 DRWN: JSCHAFFER 2012/02/22 CHKD: J APPR: APATEL 2012/06/01 REV | QUALITY SYMBOLS | GENERAL TOLERANCES (UNLESS SPECIFIED) | DIMENSION STYLE MM ONLY | SCALE 2:1 | DESIGN UNITS METRIC | THIRD ANGLE PROJECTION |
| | ▽=0 | 4 PLACES ± --- ± --- | DRAWN BY DATE SAMIEC 2005/04/14 | TITLE POWER EDGE ASSEMBLY POWER / SIGNAL MIXED VERTICAL SOLDER TAIL | | |
| | ▽=0 | 3 PLACES ± --- ± --- | CHECKED BY DATE SAMIEC 2005/04/14 | | | |
| | ▽=0 | 2 PLACES ± 0.25 ± --- | APPROVED BY DATE MARGULIS 2005/04/14 | | | |
| | | 1 PLACE ± 0.25 ± --- | MATERIAL NO. | DOCUMENT NO. | | |
| | | ANGULAR ± 1/2° | | | | |
| | | DRAFT WHERE APPLICABLE MUST REMAIN WITHIN DIMENSIONS | SEE CHART | | | |
| | | | SIZE B | THIS DRAWING CONTAINS INFORMATION THAT IS PROPRIETARY TO MOLEX INCORPORATED AND SHOULD NOT BE USED WITHOUT WRITTEN PERMISSION | | |

| | 10 | 9 | 8 | 7 | 6 | 5 | 4 | 3 | 2 | 1 |
|---|----------------|-----------------|----------------|----------------|----------------|----------------|----------------|---|---|---|
| | TOOLING STATUS | MATERIAL NUMBER | SEG 5 TERMINAL | SEG 4 TERMINAL | SEG 3 TERMINAL | SEG 2 TERMINAL | SEG 1 TERMINAL | | | |
| F | NOT TOOLED | 45911-0085 | POWER | SIGNAL | SIGNAL | SIGNAL | SIGNAL | | | |
| | NOT TOOLED | 45911-0086 | SIGNAL | SIGNAL | POWER | POWER | POWER | | | |
| | NOT TOOLED | 45911-0087 | POWER | POWER | SIGNAL | POWER | POWER | | | |
| | NOT TOOLED | 45911-0088 | SIGNAL | SIGNAL | SIGNAL | POWER | POWER | | | |
| | NOT TOOLED | 45911-0089 | SIGNAL | SIGNAL | POWER | SIGNAL | POWER | | | |
| | NOT TOOLED | 45911-0090 | POWER | POWER | SIGNAL | SIGNAL | POWER | | | |
| E | NOT TOOLED | 45911-0091 | POWER | POWER | POWER | SIGNAL | POWER | | | |
| | NOT TOOLED | 45911-0092 | SIGNAL | SIGNAL | SIGNAL | SIGNAL | POWER | | | |
| | NOT TOOLED | 45911-0093 | SIGNAL | SIGNAL | POWER | POWER | SIGNAL | | | |
| | NOT TOOLED | 45911-0094 | POWER | POWER | SIGNAL | POWER | SIGNAL | | | |
| | NOT TOOLED | 45911-0095 | SIGNAL | SIGNAL | SIGNAL | POWER | SIGNAL | | | |
| | NOT TOOLED | 45911-0096 | SIGNAL | SIGNAL | POWER | SIGNAL | SIGNAL | | | |
| D | NOT TOOLED | 45911-0097 | POWER | POWER | SIGNAL | SIGNAL | SIGNAL | | | |
| | NOT TOOLED | 45911-0098 | POWER | POWER | POWER | SIGNAL | SIGNAL | | | |
| | NOT TOOLED | 45911-0099 | POWER | POWER | POWER | POWER | SIGNAL | | | |
| | NOT TOOLED | 45911-0100 | POWER | POWER | POWER | SIGNAL | POWER | | | |
| | NOT TOOLED | 45911-0101 | POWER | POWER | SIGNAL | POWER | POWER | | | |
| | NOT TOOLED | 45911-0102 | POWER | SIGNAL | SIGNAL | SIGNAL | POWER | | | |
| C | NOT TOOLED | 45911-0103 | POWER | SIGNAL | POWER | SIGNAL | SIGNAL | | | |
| | NOT TOOLED | 45911-0104 | POWER | SIGNAL | POWER | POWER | POWER | | | |
| | NOT TOOLED | 45911-0105 | POWER | SIGNAL | POWER | SIGNAL | POWER | | | |
| | NOT TOOLED | 45911-0106 | POWER | POWER | POWER | SIGNAL | POWER | | | |
| B | NOT TOOLED | 45911-0107 | SIGNAL | POWER | SIGNAL | POWER | SIGNAL | | | |
| | NOT TOOLED | 45911-0108 | SIGNAL | POWER | POWER | POWER | POWER | | | |
| | NOT TOOLED | 45911-0109 | SIGNAL | POWER | POWER | POWER | SIGNAL | | | |
| | NOT TOOLED | 45911-0110 | SIGNAL | POWER | SIGNAL | SIGNAL | SIGNAL | | | |
| | NOT TOOLED | 45911-0111 | SIGNAL | SIGNAL | SIGNAL | SIGNAL | POWER | | | |
| | NOT TOOLED | 45911-0112 | SIGNAL | POWER | POWER | SIGNAL | SIGNAL | | | |
| A | NOT TOOLED | 45911-0113 | POWER | SIGNAL | SIGNAL | POWER | SIGNAL | | | |

DIM P/T
PCB THK
DIM T
DIM P
PCB THK



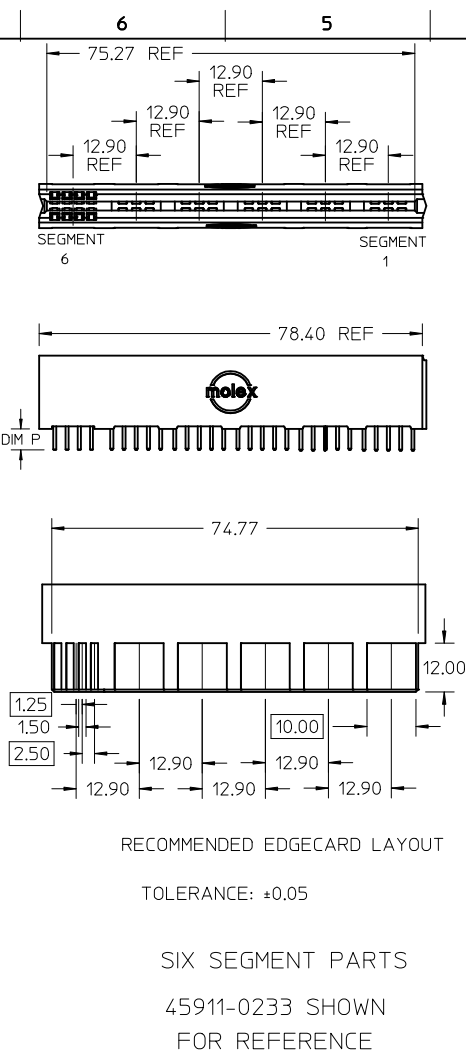
FIVE-SEGMENT PARTS

PART NUMBER 45911-0178
SHOWN FOR REFERENCE

SEE SHT 5 FOR EDGE CARD INFORMATION

| | | | | | | |
|--|-----------------|---|---|----------------|---|------------------------|
| ENTER DESCRIPTION EC NO: UCP2012-2888/06/01 DRWN: JSCHAFER 2012/02/22 CHKD: APPR: APATEL 2012/06/01 DESCRIPTION REV | QUALITY SYMBOLS | GENERAL TOLERANCES (UNLESS SPECIFIED) | DIMENSION STYLE MM ONLY | SCALE 1.5:1 | DESIGN UNITS METRIC | THIRD ANGLE PROJECTION |
| | ▽=0 | mm INCH | DRAWN BY DATE SAMIEC 2005/04/14 | TITLE | POWER EDGE ASSEMBLY POWER / SIGNAL MIXED VERTICAL SOLDER TAIL | |
| | ▽=0 | 4 PLACES ± --- ± --- 3 PLACES ± --- ± --- 2 PLACES ± 0.25 ± --- 1 PLACE ± 0.25 ± --- | CHECKED BY DATE SAMIEC 2005/04/14 | | | |
| | ▽=0 | ANGULAR ±1/2° | APPROVED BY DATE MARGULIS 2005/04/14 | MATERIAL NO. | DOCUMENT NO. | MOLEX INCORPORATED |
| DRAFT WHERE APPLICABLE MUST REMAIN WITHIN DIMENSIONS | | SEE CHART | SD-45911-001 | | SHEET NO. 6 OF 8 | |
| THIS DRAWING CONTAINS INFORMATION THAT IS PROPRIETARY TO MOLEX INCORPORATED AND SHOULD NOT BE USED WITHOUT WRITTEN PERMISSION | | | | | | |

| | 10 | 9 | 8 | 7 | | | | |
|---|----------------|-----------------|----------------|----------------|----------------|----------------|----------------|----------------|
| | TOOLING STATUS | MATERIAL NUMBER | SEG 6 TERMINAL | SEG 5 TERMINAL | SEG 4 TERMINAL | SEG 3 TERMINAL | SEG 2 TERMINAL | SEG 1 TERMINAL |
| F | NOT TOOLED | 45911-0115 | POWER | SIGNAL | SIGNAL | SIGNAL | SIGNAL | SIGNAL |
| | NOT TOOLED | 45911-0116 | SIGNAL | POWER | SIGNAL | SIGNAL | SIGNAL | SIGNAL |
| | NOT TOOLED | 45911-0117 | SIGNAL | SIGNAL | POWER | SIGNAL | SIGNAL | SIGNAL |
| | NOT TOOLED | 45911-0118 | SIGNAL | SIGNAL | SIGNAL | POWER | SIGNAL | SIGNAL |
| | NOT TOOLED | 45911-0119 | SIGNAL | SIGNAL | SIGNAL | SIGNAL | POWER | SIGNAL |
| | NOT TOOLED | 45911-0120 | SIGNAL | SIGNAL | SIGNAL | SIGNAL | SIGNAL | POWER |
| | NOT TOOLED | 45911-0121 | POWER | POWER | SIGNAL | SIGNAL | SIGNAL | SIGNAL |
| | NOT TOOLED | 45911-0122 | POWER | SIGNAL | POWER | SIGNAL | SIGNAL | SIGNAL |
| E | NOT TOOLED | 45911-0123 | POWER | SIGNAL | SIGNAL | POWER | SIGNAL | SIGNAL |
| | NOT TOOLED | 45911-0124 | POWER | SIGNAL | SIGNAL | SIGNAL | POWER | SIGNAL |
| | NOT TOOLED | 45911-0125 | POWER | SIGNAL | SIGNAL | SIGNAL | SIGNAL | POWER |
| | NOT TOOLED | 45911-0126 | SIGNAL | POWER | POWER | SIGNAL | SIGNAL | SIGNAL |
| | NOT TOOLED | 45911-0127 | SIGNAL | POWER | SIGNAL | POWER | SIGNAL | SIGNAL |
| | NOT TOOLED | 45911-0128 | SIGNAL | POWER | SIGNAL | SIGNAL | POWER | SIGNAL |
| | NOT TOOLED | 45911-0129 | SIGNAL | POWER | SIGNAL | SIGNAL | SIGNAL | POWER |
| D | NOT TOOLED | 45911-0130 | SIGNAL | SIGNAL | POWER | POWER | SIGNAL | SIGNAL |
| | NOT TOOLED | 45911-0131 | SIGNAL | SIGNAL | POWER | SIGNAL | POWER | SIGNAL |
| | NOT TOOLED | 45911-0132 | SIGNAL | SIGNAL | POWER | SIGNAL | SIGNAL | POWER |
| | NOT TOOLED | 45911-0133 | SIGNAL | POWER | POWER | SIGNAL | SIGNAL | SIGNAL |
| | NOT TOOLED | 45911-0134 | SIGNAL | SIGNAL | SIGNAL | POWER | POWER | SIGNAL |
| C | NOT TOOLED | 45911-0135 | SIGNAL | SIGNAL | SIGNAL | SIGNAL | POWER | POWER |
| | NOT TOOLED | 45911-0136 | SIGNAL | SIGNAL | SIGNAL | POWER | SIGNAL | POWER |
| | NOT TOOLED | 45911-0137 | POWER | POWER | POWER | SIGNAL | SIGNAL | SIGNAL |
| | NOT TOOLED | 45911-0138 | SIGNAL | POWER | POWER | POWER | SIGNAL | SIGNAL |
| | NOT TOOLED | 45911-0139 | SIGNAL | SIGNAL | POWER | POWER | POWER | SIGNAL |
| | NOT TOOLED | 45911-0140 | SIGNAL | SIGNAL | SIGNAL | POWER | POWER | POWER |
| B | NOT TOOLED | 45911-0141 | POWER | POWER | SIGNAL | POWER | SIGNAL | SIGNAL |
| | NOT TOOLED | 45911-0142 | POWER | POWER | SIGNAL | SIGNAL | POWER | SIGNAL |



| | TOOLING STATUS | MATERIAL NUMBER | SEG 6 TERMINAL | SEG 5 TERMINAL | SEG 4 TERMINAL | SEG 3 TERMINAL | SEG 2 TERMINAL | SEG 1 TERMINAL | |
|--|----------------|-----------------|----------------|----------------|----------------|----------------|----------------|----------------|--|
| | NOT TOOLED | 45911-0143 | POWER | POWER | SIGNAL | SIGNAL | SIGNAL | POWER | |
| | NOT TOOLED | 45911-0144 | SIGNAL | POWER | POWER | SIGNAL | POWER | SIGNAL | |
| | NOT TOOLED | 45911-0145 | SIGNAL | POWER | POWER | SIGNAL | SIGNAL | POWER | |
| | NOT TOOLED | 45911-0146 | SIGNAL | SIGNAL | POWER | POWER | SIGNAL | POWER | |
| | NOT TOOLED | 45911-0147 | POWER | SIGNAL | POWER | POWER | SIGNAL | SIGNAL | |
| | NOT TOOLED | 45911-0148 | POWER | SIGNAL | SIGNAL | POWER | POWER | SIGNAL | |
| | NOT TOOLED | 45911-0149 | SIGNAL | POWER | SIGNAL | POWER | POWER | SIGNAL | |
| | NOT TOOLED | 45911-0150 | POWER | SIGNAL | SIGNAL | SIGNAL | POWER | POWER | |
| | NOT TOOLED | 45911-0151 | SIGNAL | POWER | SIGNAL | SIGNAL | POWER | POWER | |
| | NOT TOOLED | 45911-0152 | SIGNAL | SIGNAL | POWER | SIGNAL | POWER | POWER | |
| | NOT TOOLED | 45911-0153 | POWER | POWER | POWER | POWER | SIGNAL | SIGNAL | |
| | NOT TOOLED | 45911-0154 | SIGNAL | POWER | POWER | POWER | POWER | SIGNAL | |
| | NOT TOOLED | 45911-0155 | SIGNAL | SIGNAL | SIGNAL | POWER | POWER | POWER | |
| | NOT TOOLED | 45911-0156 | POWER | POWER | POWER | SIGNAL | POWER | SIGNAL | |
| | NOT TOOLED | 45911-0157 | POWER | POWER | POWER | SIGNAL | SIGNAL | POWER | |
| | NOT TOOLED | 45911-0158 | POWER | POWER | POWER | POWER | SIGNAL | POWER | |
| | NOT TOOLED | 45911-0159 | POWER | POWER | SIGNAL | POWER | SIGNAL | POWER | |
| | NOT TOOLED | 45911-0160 | POWER | POWER | SIGNAL | SIGNAL | POWER | POWER | |
| | NOT TOOLED | 45911-0161 | POWER | SIGNAL | POWER | POWER | POWER | SIGNAL | |
| | NOT TOOLED | 45911-0162 | POWER | SIGNAL | SIGNAL | POWER | POWER | POWER | |
| | NOT TOOLED | 45911-0163 | POWER | SIGNAL | POWER | POWER | SIGNAL | POWER | |
| | NOT TOOLED | 45911-0164 | POWER | POWER | SIGNAL | POWER | POWER | SIGNAL | |
| | NOT TOOLED | 45911-0165 | POWER | SIGNAL | SIGNAL | POWER | POWER | POWER | |
| | NOT TOOLED | 45911-0166 | POWER | POWER | POWER | SIGNAL | POWER | POWER | |
| | NOT TOOLED | 45911-0167 | POWER | POWER | POWER | POWER | SIGNAL | POWER | |
| | NOT TOOLED | 45911-0168 | POWER | POWER | POWER | POWER | POWER | SIGNAL | |
| | NOT TOOLED | 45911-0169 | SIGNAL | POWER | POWER | POWER | POWER | POWER | |

| | | | | | | | |
|---|-----------------|---------------------------------------|--|------|-------------------------|------------------------|---|
| ENTER DESCRIPTION EC NO: UCP2012-2806 DRWN: JSCHAFFER 2012/02/22 CHKD: MARGULIS APPR: APATEL 2012/06/01 | QUALITY SYMBOLS | GENERAL TOLERANCES (UNLESS SPECIFIED) | DIMENSION STYLE MM ONLY | | SCALE 1:1 | DESIGN UNITS METRIC | THIRD ANGLE PROJECTION |
| | ▽=0 | 4 PLACES ± --- ± --- | mm | INCH | DRAWN BY SAMIEC | DATE 2005/04/14 | POWER EDGE ASSEMBLY POWER / SIGNAL MIXED VERTICAL SOLDER TAIL MOLEX INCORPORATED |
| | ▽=0 | 3 PLACES ± --- ± --- | | | CHECKED BY SAMIEC | DATE 2005/04/14 | |
| | ▽=0 | 2 PLACES ± 0.25 ± --- | | | APPROVED BY MARGULIS | DATE 2005/04/14 | |
| | | 1 PLACE ± 0.25 ± --- | ANGULAR ±1/2° | | MATERIAL NO. | DOCUMENT NO. | SHEET NO. |
| | | | DRAFT WHERE APPLICABLE MUST REMAIN WITHIN DIMENSIONS | | SEE CHART | | 7 OF 8 |

