



Chipsmall Limited consists of a professional team with an average of over 10 year of expertise in the distribution of electronic components. Based in Hongkong, we have already established firm and mutual-benefit business relationships with customers from,Europe,America and south Asia,supplying obsolete and hard-to-find components to meet their specific needs.

With the principle of "Quality Parts,Customers Priority,Honest Operation,and Considerate Service",our business mainly focus on the distribution of electronic components. Line cards we deal with include Microchip,ALPS,ROHM,Xilinx,Pulse,ON,Everlight and Freescale. Main products comprise IC,Modules,Potentiometer,IC Socket,Relay,Connector.Our parts cover such applications as commercial,industrial, and automotives areas.

We are looking forward to setting up business relationship with you and hope to provide you with the best service and solution. Let us make a better world for our industry!



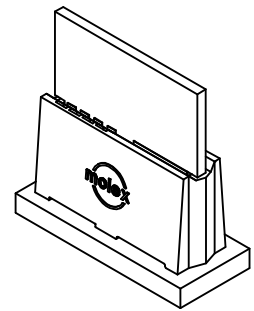
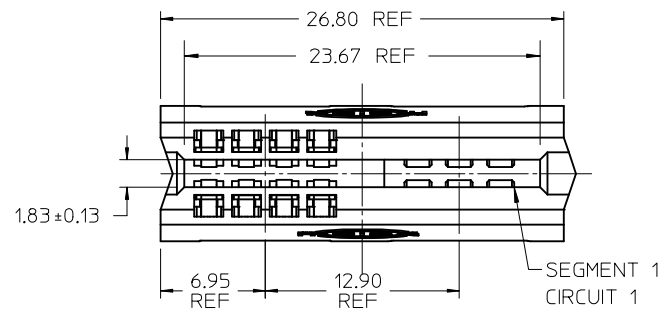
Contact us

Tel: +86-755-8981 8866 Fax: +86-755-8427 6832

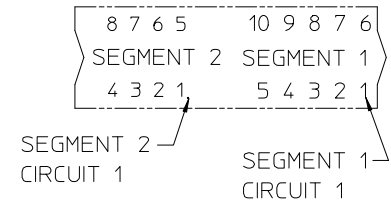
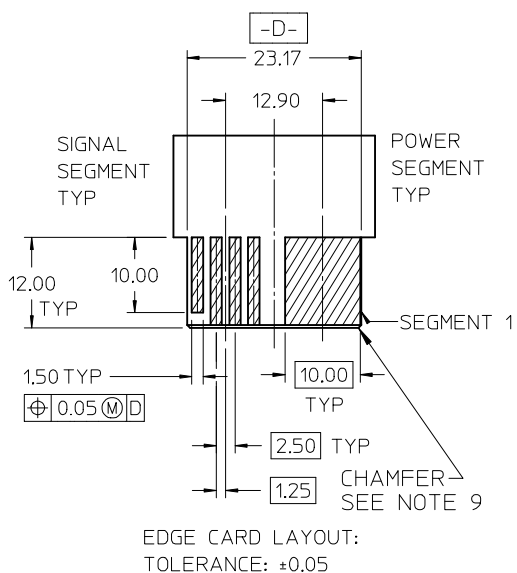
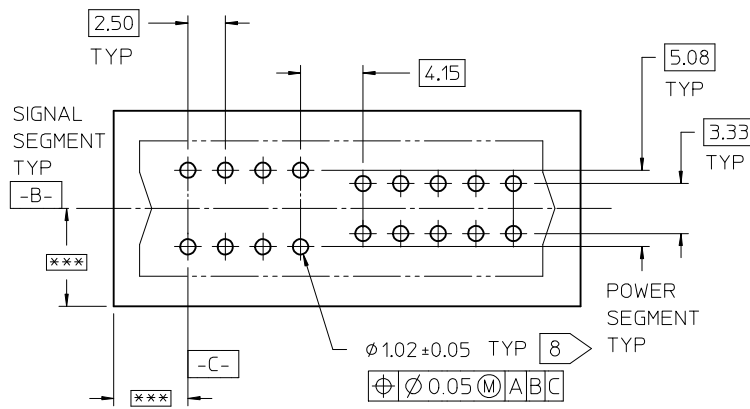
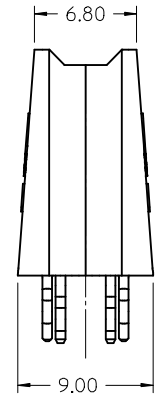
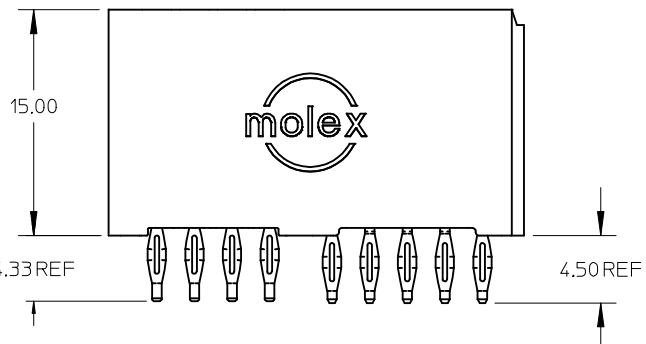
Email & Skype: info@chipsmall.com Web: www.chipsmall.com

Address: A1208, Overseas Decoration Building, #122 Zhenhua RD., Futian, Shenzhen, China





- NOTES:
1. MATERIAL: HOUSING - LCP, UL94V-0, BLACK
MATERIAL: TERMINAL - COPPER ALLOY
 2. FINISH: SELECT GOLD: 30 μ IN MIN IN CONTACT AREA
SELECT TIN: 150 μ IN MIN IN PC TAIL AREA
BOTH OVER NICKEL: 50 μ IN MIN
 3. PRODUCT SPECIFICATION: PS-45719-001.
 4. PACKAGING SPECIFICATION: PK-45714-001.
 5. PCB THICKNESS: SEE CHART
 6. EDGE CARD THICKNESS: 1.57±0.15
 7. DIMENSIONS GIVEN ACROSS CENTERLINES ARE SYMMETRICAL ABOUT THOSE CENTERLINES WITHIN HALF THE TOTAL TOLERANCE.
 8. PCB HOLE SPECIFICATION: SEE PS-45719-001
 9. 0.50 X 45° CHAMFER ON LEADING EDGE, TYP 4 SIDES
 10. PART IS RoHS COMPLIANT. SEE ES-45482-999 FOR LABEL REQUIREMENTS.



TOOLING STATUS	MATERIAL NUMBER	SEGMENT	SEGMENT
TOOLED	45912-0001	SIGNAL	POWER
TOOLED	45912-0002	POWER	SIGNAL
--	SEE 45845	SIGNAL	SIGNAL
--	SEE 45714	POWER	POWER

PCB LAYOUT: COMPONENT SIDE
*** = TO BE DETERMINED BY CUSTOMER

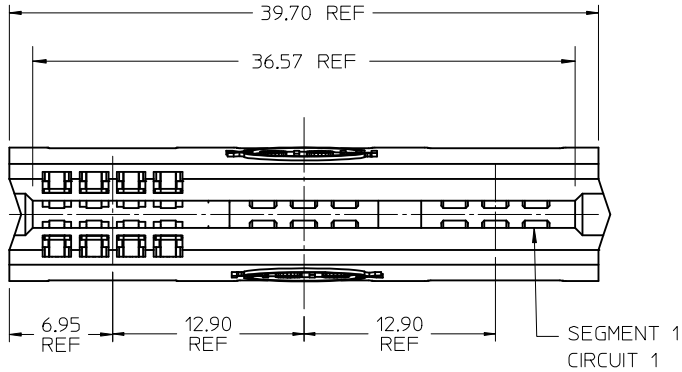
REVISE CHART, SHT 2	DESCRIPTION
EC NO: UCP2013-0692	DRWN: JSCHAFFER 2012/07/03
CHKD: APATEL	APPR: APATEL 2012/10/04
REV	

QUALITY SYMBOLS

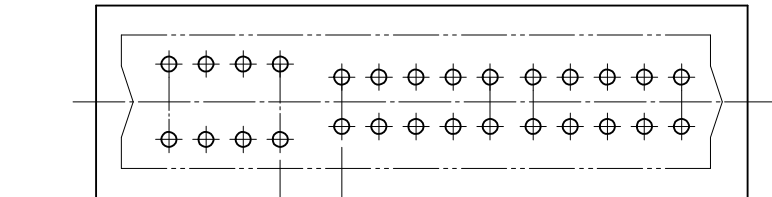
GENERAL TOLERANCES (UNLESS SPECIFIED)		
	mm	INCH
4 PLACES	± ---	± ---
3 PLACES	± ---	± ---
2 PLACES	± 0.25	± ---
1 PLACE	± 0.25	± ---
ANGULAR ±1/2°		
DRAFT WHERE APPLICABLE MUST REMAIN WITHIN DIMENSIONS		

DIMENSION STYLE	
MM ONLY	
DRAWN BY	DATE
SAMIEC	2005/04/14
CHECKED BY	DATE
SAMIEC	2005/04/14
APPROVED BY	DATE
MARGULIS	2005/04/14
MATERIAL NUMBER	SEE CHART
SIZE	A

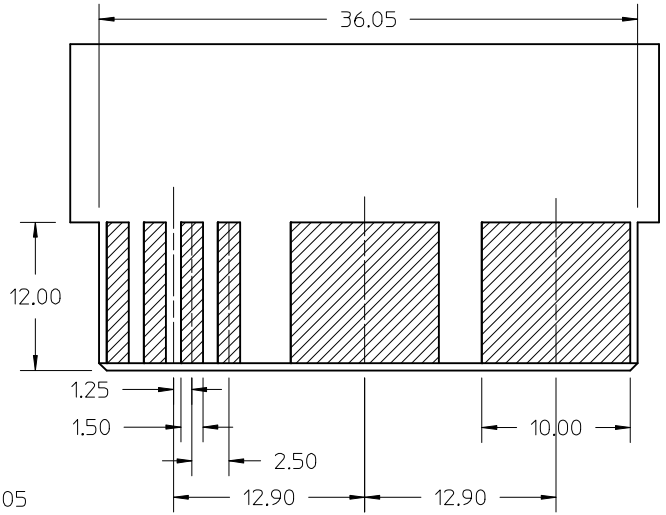
SCALE	2:1	DESIGN UNITS	METRIC	THIRD ANGLE PROJECTION
TITLE				
POWER EDGE ASSEMBLY POWER / SIGNAL MIXED VERTICAL CPI				
MOLEX INCORPORATED				
DOCUMENT NO.				SHEET NO.
SD-45912-001				1 OF 5
THIS DRAWING CONTAINS INFORMATION THAT IS PROPRIETARY TO MOLEX INCORPORATED AND SHOULD NOT BE USED WITHOUT WRITTEN PERMISSION				



SIGNAL SEGMENT				POWER SEGMENT				POWER SEGMENT					
8	7	6	5	10	9	8	7	6	10	9	8	7	6
4	3	2	1	5	4	3	2	1	5	4	3	2	1



DIM S BETWEEN SIGNAL SEG AND SIGNAL SEG: 5.40
 DIM S BETWEEN POWER SEG AND POWER SEG: 2.90
 DIM S BETWEEN SIGNAL SEG AND POWER SEG: 4.15

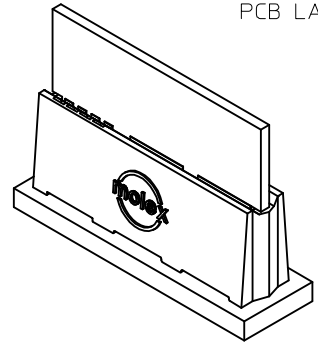


RECOMMENDED
 EDGE CARD
 LAYOUT
 TOLERANCE: ±0.05

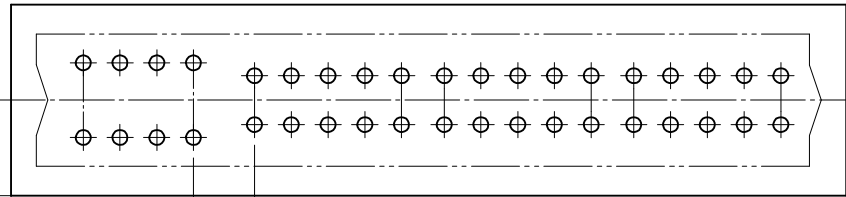
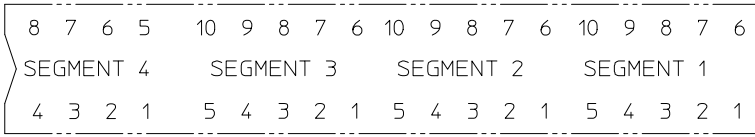
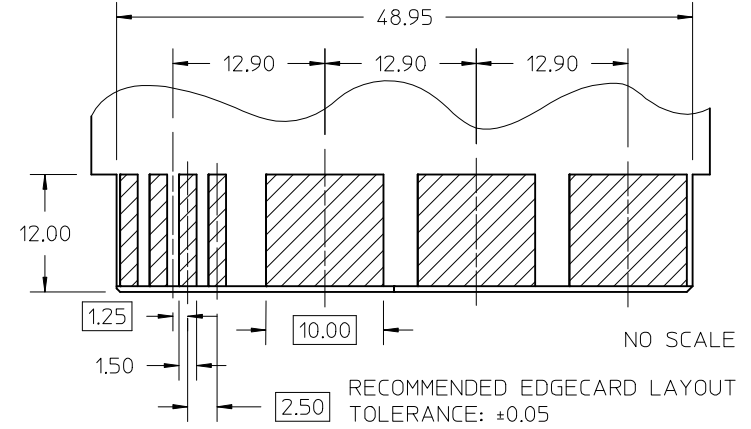
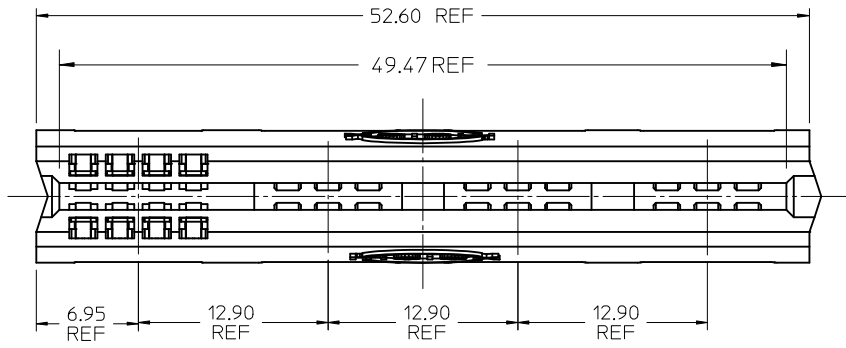
TOOLING STATUS	MATERIAL NUMBER	SEGMENT 3	SEGMENT 2	SEGMENT 1	OPTIONAL VOID LOCATION
TOOLED	45912-0007	SIGNAL	POWER	POWER	
TOOLED	45912-0008	POWER	SIGNAL	POWER	
TOOLED	45912-1108	POWER	SIGNAL	POWER	SIGNAL SEG PIN 3
TOOLED	45912-2108	VOID	SIGNAL	POWER	SIGNAL SEG PIN 3
TOOLED	45912-0009	SIGNAL	SIGNAL	POWER	
TOOLED	45912-0010	SIGNAL	POWER	SIGNAL	
TOOLED	45912-0011	POWER	SIGNAL	SIGNAL	
TOOLED	45912-0012	POWER	POWER	SIGNAL	
--	SEE 45845	SIGNAL	SIGNAL	SIGNAL	
--	SEE 45714	POWER	POWER	POWER	

MATERIAL NUMBER: 45911-0007 SHOWN
 SEE SHEET ONE FOR OTHER NOTES AND DIMENSIONS

PCB LAYOUT: COMPONENT SIDE



EC NO: UCP2013-0692 DRWN: JSCHAFFER 2012/07/03 CHKD: APPR: APATEL 2012/10/04	QUALITY SYMBOLS DESCRIPTION REV	GENERAL TOLERANCES (UNLESS SPECIFIED)		DIMENSION STYLE MM ONLY		SCALE 2:1	DESIGN UNITS METRIC	THIRD ANGLE PROJECTION
		4 PLACES ± --- ± --- 3 PLACES ± --- ± --- 2 PLACES ± 0.25 ± --- 1 PLACE ± 0.25 ± --- ANGULAR ± 1/2°	DRAWN BY DATE SAMIEC 2005/04/14 CHECKED BY DATE SAMIEC 2005/04/14 APPROVED BY DATE MARGULIS 2005/04/14	TITLE POWER EDGE ASSEMBLY POWER / SIGNAL MIXED VERTICAL CPI		MOLEX INCORPORATED		DOCUMENT NO. SD-45912-001
DRAFT WHERE APPLICABLE MUST REMAIN WITHIN DIMENSIONS		MATERIAL NUMBER SEE CHART		THIS DRAWING CONTAINS INFORMATION THAT IS PROPRIETARY TO MOLEX INCORPORATED AND SHOULD NOT BE USED WITHOUT WRITTEN PERMISSION				

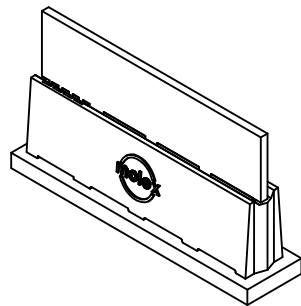


DIM S BETWEEN SIGNAL SEG AND SIGNAL SEG: 5.40
 DIM S BETWEEN POWER SEG AND POWER SEG: 2.90
 DIM S BETWEEN SIGNAL SEG AND POWER SEG: 4.15

PCB LAYOUT: COMPONENT SIDE

MATERIAL NUMBER 45912-0025 SHOWN
 SEE SHEET ONE FOR OTHER NOTES AND DIM.

TOOLING STATUS	MATERIAL NUMBER	SEGMENT 4	SEGMENT 3	SEGMENT 2	SEGMENT 1
TOOLED	45912-0025	SIGNAL	POWER	POWER	POWER
TOOLED	45912-0026	POWER	SIGNAL	POWER	POWER
TOOLED	45912-0027	SIGNAL	SIGNAL	POWER	POWER
TOOLED	45912-0028	SIGNAL	POWER	SIGNAL	POWER
TOOLED	45912-0029	POWER	SIGNAL	SIGNAL	POWER
TOOLED	45912-0030	POWER	POWER	SIGNAL	POWER
TOOLED	45912-0031	SIGNAL	SIGNAL	SIGNAL	POWER
TOOLED	45912-0032	SIGNAL	POWER	POWER	SIGNAL
TOOLED	45912-0033	POWER	SIGNAL	POWER	SIGNAL
TOOLED	45912-0034	SIGNAL	SIGNAL	POWER	SIGNAL
TOOLED	45912-0035	SIGNAL	POWER	SIGNAL	SIGNAL
TOOLED	45912-0036	POWER	SIGNAL	SIGNAL	SIGNAL
TOOLED	45912-0037	POWER	POWER	SIGNAL	SIGNAL
TOOLED	45912-0038	POWER	POWER	POWER	SIGNAL



EC NO: UCP2013-0692	DRWN: JSCHAFFER	2012/07/03	CHKD:	APPR: APATEL	2012/10/04
R	REV	DESCRIPTION			

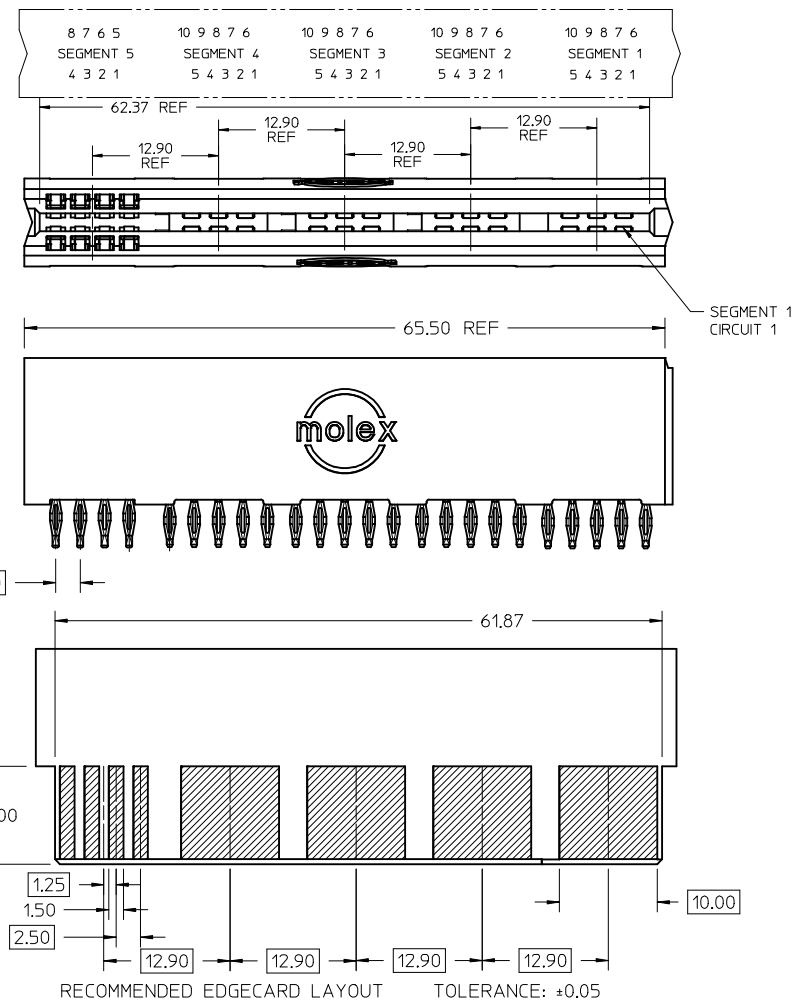
QUALITY SYMBOLS	GENERAL TOLERANCES (UNLESS SPECIFIED)	
	mm	INCH
	4 PLACES	± --- ± ---
	3 PLACES	± --- ± ---
	2 PLACES	± 0.25 ± ---
1 PLACE	± 0.25 ± ---	
ANGULAR ±1/2°		
DRAFT WHERE APPLICABLE MUST REMAIN WITHIN DIMENSIONS		

DIMENSION STYLE		SCALE	DESIGN UNITS	THIRD ANGLE PROJECTION
MM ONLY		2:1	METRIC	
DRAWN BY	DATE	TITLE		
SAMIEC	2005/04/14	POWER EDGE ASSEMBLY POWER / SIGNAL MIXED VERTICAL CPI		
CHECKED BY	DATE	MOLEX INCORPORATED		
SAMIEC	2005/04/14	DOCUMENT NO. SD-45912-001		
APPROVED BY	DATE	SHEET NO. 3		
MARGULIS	2005/04/14	THIS DRAWING CONTAINS INFORMATION THAT IS PROPRIETARY TO MOLEX INCORPORATED AND SHOULD NOT BE USED WITHOUT WRITTEN PERMISSION		
MATERIAL NUMBER	SEE CHART			
SIZE	A			

	10	9	8	7	6	5	4	3	2	1
	TOOLING STATUS	MATERIAL NUMBER	SEG 5 TERMINAL	SEG 4 TERMINAL	SEG 3 TERMINAL	SEG 2 TERMINAL	SEG 1 TERMINAL			
F	NOT TOOLED	45912-0041	POWER	SIGNAL	SIGNAL	SIGNAL	SIGNAL			
	NOT TOOLED	45912-0042	SIGNAL	SIGNAL	POWER	POWER	POWER			
	NOT TOOLED	45912-0043	POWER	POWER	SIGNAL	POWER	POWER			
	NOT TOOLED	45912-0044	SIGNAL	SIGNAL	SIGNAL	POWER	POWER			
	NOT TOOLED	45912-0045	SIGNAL	SIGNAL	POWER	SIGNAL	POWER			
	NOT TOOLED	45912-0046	POWER	POWER	SIGNAL	SIGNAL	POWER			
E	NOT TOOLED	45912-0047	POWER	POWER	POWER	SIGNAL	POWER			
	NOT TOOLED	45912-0048	SIGNAL	SIGNAL	SIGNAL	SIGNAL	POWER			
	NOT TOOLED	45912-0049	SIGNAL	SIGNAL	POWER	POWER	SIGNAL			
	NOT TOOLED	45912-0050	POWER	POWER	SIGNAL	POWER	SIGNAL			
	NOT TOOLED	45912-0051	SIGNAL	SIGNAL	SIGNAL	POWER	SIGNAL			
	NOT TOOLED	45912-0052	SIGNAL	SIGNAL	POWER	SIGNAL	SIGNAL			
D	NOT TOOLED	45912-0053	POWER	POWER	SIGNAL	SIGNAL	SIGNAL			
	NOT TOOLED	45912-0054	POWER	POWER	POWER	SIGNAL	SIGNAL			
	NOT TOOLED	45912-0055	POWER	POWER	POWER	POWER	SIGNAL			
	NOT TOOLED	45912-0056	POWER	POWER	POWER	SIGNAL	POWER			
	NOT TOOLED	45912-0057	POWER	POWER	SIGNAL	POWER	POWER			
C	NOT TOOLED	45912-0058	POWER	SIGNAL	SIGNAL	SIGNAL	POWER			
	NOT TOOLED	45912-0059	POWER	SIGNAL	POWER	SIGNAL	SIGNAL			
	NOT TOOLED	45912-0060	POWER	SIGNAL	POWER	POWER	POWER			
	NOT TOOLED	45912-0061	POWER	SIGNAL	POWER	SIGNAL	POWER			
	NOT TOOLED	45912-0062	POWER	POWER	POWER	SIGNAL	POWER			
B	NOT TOOLED	45912-0063	SIGNAL	POWER	SIGNAL	POWER	SIGNAL			
	NOT TOOLED	45912-0064	SIGNAL	POWER	POWER	POWER	POWER			
	NOT TOOLED	45912-0065	SIGNAL	POWER	POWER	POWER	SIGNAL			
	NOT TOOLED	45912-0066	SIGNAL	POWER	SIGNAL	SIGNAL	SIGNAL			
	NOT TOOLED	45912-0067	SIGNAL	SIGNAL	SIGNAL	SIGNAL	POWER			
	NOT TOOLED	45912-0068	SIGNAL	POWER	POWER	SIGNAL	SIGNAL			
A	NOT TOOLED	45912-0069	POWER	SIGNAL	SIGNAL	POWER	SIGNAL			

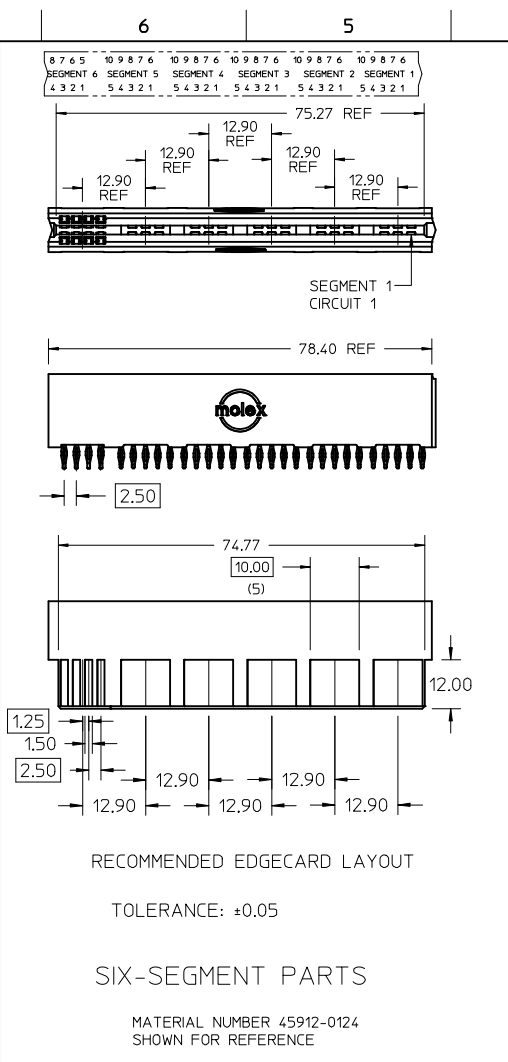
FIVE-SEGMENT PARTS

MATERIAL NUMBER 45912-0064
SHOWN FOR REFERENCE



ENTER DESCRIPTION EC NO: UCP2013-0692 DRWN: JSCHAFFER 2012/07/03 CHKD: APPR: APATEL 2012/10/04 REV	QUALITY SYMBOLS	GENERAL TOLERANCES (UNLESS SPECIFIED)	DIMENSION STYLE	SCALE	DESIGN UNITS	THIRD ANGLE PROJECTION															
	$\nabla F=0$ $\nabla E=0$ $\nabla F=0$	<table border="1"> <thead> <tr> <th></th> <th>mm</th> <th>INCH</th> </tr> </thead> <tbody> <tr> <td>4 PLACES</td> <td>±---</td> <td>±---</td> </tr> <tr> <td>3 PLACES</td> <td>±---</td> <td>±---</td> </tr> <tr> <td>2 PLACES</td> <td>±0.25</td> <td>±---</td> </tr> <tr> <td>1 PLACE</td> <td>±0.25</td> <td>±---</td> </tr> </tbody> </table>		mm	INCH	4 PLACES	±---	±---	3 PLACES	±---	±---	2 PLACES	±0.25	±---	1 PLACE	±0.25	±---	MM ONLY	1.5:1	METRIC	
		mm	INCH																		
	4 PLACES	±---	±---																		
3 PLACES	±---	±---																			
2 PLACES	±0.25	±---																			
1 PLACE	±0.25	±---																			
DRAWN BY: SAMIEC CHECKED BY: SAMIEC APPROVED BY: MARGULIS MATERIAL NO.	DATE: 2005/04/14 DATE: 2005/04/14 DATE: 2005/04/14	TITLE: POWER EDGE ASSEMBLY POWER / SIGNAL MIXED VERTICAL CPI MOLEX INCORPORATED DOCUMENT NO. SD-45912-001	SHEET NO. 4 OF 5																		
DRAFT WHERE APPLICABLE MUST REMAIN WITHIN DIMENSIONS	SEE CHART	THIS DRAWING CONTAINS INFORMATION THAT IS PROPRIETARY TO MOLEX INCORPORATED AND SHOULD NOT BE USED WITHOUT WRITTEN PERMISSION																			

	10	9		8		7		6		5		4		3		2		1		
	TOOLING STATUS	MATERIAL NUMBER	SEG 6 TERMINAL	SEG 5 TERMINAL	SEG 4 TERMINAL	SEG 3 TERMINAL	SEG 2 TERMINAL	SEG 1 TERMINAL					TOOLING STATUS	MATERIAL NUMBER	SEG 6 TERMINAL	SEG 5 TERMINAL	SEG 4 TERMINAL	SEG 3 TERMINAL	SEG 2 TERMINAL	SEG 1 TERMINAL
F	NOT TOOLED	45912-0070	POWER	SIGNAL	SIGNAL	SIGNAL	SIGNAL	SIGNAL					NOT TOOLED	45912-0098	POWER	POWER	SIGNAL	SIGNAL	SIGNAL	POWER
	NOT TOOLED	45912-0071	SIGNAL	POWER	SIGNAL	SIGNAL	SIGNAL	SIGNAL					NOT TOOLED	45912-0099	SIGNAL	POWER	POWER	SIGNAL	POWER	SIGNAL
	NOT TOOLED	45912-0072	SIGNAL	SIGNAL	POWER	SIGNAL	SIGNAL	SIGNAL					NOT TOOLED	45912-0100	SIGNAL	POWER	POWER	SIGNAL	SIGNAL	POWER
	NOT TOOLED	45912-0073	SIGNAL	SIGNAL	SIGNAL	POWER	SIGNAL	SIGNAL					NOT TOOLED	45912-0101	SIGNAL	SIGNAL	POWER	POWER	SIGNAL	POWER
	NOT TOOLED	45912-0074	SIGNAL	SIGNAL	SIGNAL	SIGNAL	POWER	SIGNAL					NOT TOOLED	45912-0102	POWER	SIGNAL	POWER	POWER	SIGNAL	SIGNAL
	NOT TOOLED	45912-0075	SIGNAL	SIGNAL	SIGNAL	SIGNAL	SIGNAL	SIGNAL					NOT TOOLED	45912-0103	POWER	SIGNAL	SIGNAL	POWER	POWER	SIGNAL
	NOT TOOLED	45912-0076	POWER	POWER	SIGNAL	SIGNAL	SIGNAL	SIGNAL					NOT TOOLED	45912-0104	SIGNAL	POWER	SIGNAL	POWER	POWER	SIGNAL
E	NOT TOOLED	45912-0077	POWER	SIGNAL	POWER	SIGNAL	SIGNAL	SIGNAL					NOT TOOLED	45912-0105	POWER	SIGNAL	SIGNAL	SIGNAL	POWER	POWER
	NOT TOOLED	45912-0078	POWER	SIGNAL	SIGNAL	POWER	SIGNAL	SIGNAL					NOT TOOLED	45912-0106	SIGNAL	POWER	SIGNAL	SIGNAL	POWER	POWER
	NOT TOOLED	45912-0079	POWER	SIGNAL	SIGNAL	SIGNAL	POWER	SIGNAL					NOT TOOLED	45912-0107	SIGNAL	SIGNAL	POWER	SIGNAL	POWER	POWER
	NOT TOOLED	45912-0080	POWER	SIGNAL	SIGNAL	SIGNAL	SIGNAL	POWER					NOT TOOLED	45912-0108	POWER	POWER	POWER	POWER	SIGNAL	SIGNAL
	NOT TOOLED	45912-0081	SIGNAL	POWER	POWER	SIGNAL	SIGNAL	SIGNAL					NOT TOOLED	45912-0109	SIGNAL	POWER	POWER	POWER	POWER	SIGNAL
	NOT TOOLED	45912-0082	SIGNAL	POWER	SIGNAL	POWER	SIGNAL	SIGNAL					NOT TOOLED	45912-0110	SIGNAL	SIGNAL	SIGNAL	POWER	POWER	POWER
	NOT TOOLED	45912-0083	SIGNAL	POWER	SIGNAL	SIGNAL	POWER	SIGNAL					NOT TOOLED	45912-0111	POWER	POWER	POWER	SIGNAL	POWER	SIGNAL
D	NOT TOOLED	45912-0084	SIGNAL	POWER	SIGNAL	SIGNAL	SIGNAL	POWER					NOT TOOLED	45912-0112	POWER	POWER	POWER	SIGNAL	SIGNAL	POWER
	NOT TOOLED	45912-0085	SIGNAL	SIGNAL	POWER	POWER	SIGNAL	SIGNAL					NOT TOOLED	45912-0113	POWER	POWER	POWER	POWER	SIGNAL	POWER
	NOT TOOLED	45912-0086	SIGNAL	SIGNAL	POWER	SIGNAL	POWER	SIGNAL					NOT TOOLED	45912-0114	POWER	POWER	SIGNAL	POWER	SIGNAL	POWER
	NOT TOOLED	45912-0087	SIGNAL	SIGNAL	POWER	SIGNAL	SIGNAL	POWER					NOT TOOLED	45912-0115	POWER	POWER	SIGNAL	SIGNAL	POWER	POWER
	NOT TOOLED	45912-0088	SIGNAL	POWER	POWER	SIGNAL	SIGNAL	SIGNAL					NOT TOOLED	45912-0116	POWER	SIGNAL	POWER	POWER	POWER	SIGNAL
	NOT TOOLED	45912-0089	SIGNAL	SIGNAL	SIGNAL	POWER	POWER	SIGNAL					NOT TOOLED	45912-0117	POWER	SIGNAL	SIGNAL	POWER	POWER	POWER
C	NOT TOOLED	45912-0090	SIGNAL	SIGNAL	SIGNAL	SIGNAL	POWER	POWER					NOT TOOLED	45912-0118	POWER	SIGNAL	POWER	POWER	SIGNAL	POWER
	NOT TOOLED	45912-0091	SIGNAL	SIGNAL	SIGNAL	POWER	SIGNAL	POWER					NOT TOOLED	45912-0119	POWER	POWER	SIGNAL	POWER	POWER	SIGNAL
	NOT TOOLED	45912-0092	POWER	POWER	POWER	SIGNAL	SIGNAL	SIGNAL					NOT TOOLED	45912-0120	POWER	SIGNAL	SIGNAL	POWER	POWER	POWER
	NOT TOOLED	45912-0093	SIGNAL	POWER	POWER	POWER	SIGNAL	SIGNAL					NOT TOOLED	45912-0121	POWER	POWER	POWER	SIGNAL	POWER	POWER
	NOT TOOLED	45912-0094	SIGNAL	SIGNAL	POWER	POWER	POWER	SIGNAL					NOT TOOLED	45912-0122	POWER	POWER	POWER	POWER	SIGNAL	POWER
	NOT TOOLED	45912-0095	SIGNAL	SIGNAL	SIGNAL	POWER	POWER	POWER					NOT TOOLED	45912-0123	POWER	POWER	POWER	POWER	POWER	SIGNAL
B	NOT TOOLED	45912-0096	POWER	POWER	SIGNAL	POWER	SIGNAL	SIGNAL					NOT TOOLED	45912-0124	SIGNAL	POWER	POWER	POWER	POWER	POWER
	NOT TOOLED	45912-0097	POWER	POWER	SIGNAL	SIGNAL	POWER	SIGNAL												



	10	9		8		7		6		5		4		3		2		1		
	TOOLING STATUS	MATERIAL NUMBER	SEG 6 TERMINAL	SEG 5 TERMINAL	SEG 4 TERMINAL	SEG 3 TERMINAL	SEG 2 TERMINAL	SEG 1 TERMINAL					TOOLING STATUS	MATERIAL NUMBER	SEG 6 TERMINAL	SEG 5 TERMINAL	SEG 4 TERMINAL	SEG 3 TERMINAL	SEG 2 TERMINAL	SEG 1 TERMINAL
F	NOT TOOLED	45912-0098	POWER	POWER	SIGNAL	SIGNAL	SIGNAL	POWER					NOT TOOLED	45912-0098	POWER	POWER	SIGNAL	SIGNAL	SIGNAL	POWER
	NOT TOOLED	45912-0099	SIGNAL	POWER	POWER	SIGNAL	POWER	SIGNAL					NOT TOOLED	45912-0099	SIGNAL	POWER	POWER	SIGNAL	POWER	SIGNAL
	NOT TOOLED	45912-0100	SIGNAL	POWER	POWER	SIGNAL	SIGNAL	POWER					NOT TOOLED	45912-0100	SIGNAL	POWER	POWER	SIGNAL	SIGNAL	POWER
	NOT TOOLED	45912-0101	SIGNAL	SIGNAL	POWER	POWER	SIGNAL	POWER					NOT TOOLED	45912-0101	SIGNAL	SIGNAL	POWER	POWER	SIGNAL	POWER
	NOT TOOLED	45912-0102	POWER	SIGNAL	POWER	POWER	POWER	SIGNAL					NOT TOOLED	45912-0102	POWER	SIGNAL	POWER	POWER	SIGNAL	SIGNAL
	NOT TOOLED	45912-0103	POWER	SIGNAL	SIGNAL	POWER	POWER	SIGNAL					NOT TOOLED	45912-0103	POWER	SIGNAL	SIGNAL	POWER	POWER	SIGNAL
	NOT TOOLED	45912-0104	SIGNAL	POWER	SIGNAL	POWER	POWER	SIGNAL					NOT TOOLED	45912-0104	SIGNAL	POWER	SIGNAL	POWER	POWER	SIGNAL
	NOT TOOLED	45912-0105	POWER	SIGNAL	SIGNAL	SIGNAL	SIGNAL	POWER					NOT TOOLED	45912-0105	POWER	SIGNAL	SIGNAL	SIGNAL	POWER	POWER
E	NOT TOOLED	45912-0106	SIGNAL	POWER	SIGNAL	SIGNAL	POWER	POWER					NOT TOOLED	45912-0106	SIGNAL	POWER	SIGNAL	SIGNAL	POWER	POWER
	NOT TOOLED	45912-0107	SIGNAL	SIGNAL	POWER	SIGNAL	POWER	POWER					NOT TOOLED	45912-0107	SIGNAL	SIGNAL	POWER	SIGNAL	POWER	POWER
	NOT TOOLED	45912-0108	POWER	POWER	POWER	POWER	POWER	SIGNAL					NOT TOOLED	45912-0108	POWER	POWER	POWER	POWER	SIGNAL	SIGNAL
	NOT TOOLED	45912-0109	SIGNAL	POWER	POWER	POWER	POWER	POWER					NOT TOOLED	45912-0109	SIGNAL	POWER	POWER	POWER	POWER	SIGNAL
	NOT TOOLED	45912-0110	SIGNAL	SIGNAL	SIGNAL	POWER	POWER	POWER					NOT TOOLED	45912-0110	SIGNAL	SIGNAL	SIGNAL	POWER	POWER	POWER
	NOT TOOLED	45912-0111	POWER	POWER	POWER	SIGNAL	POWER	SIGNAL					NOT TOOLED	45912-0111	POWER	POWER	POWER	SIGNAL	POWER	SIGNAL
D	NOT TOOLED	45912-0112	POWER	POWER	POWER	SIGNAL	SIGNAL	POWER					NOT TOOLED	45912-0112	POWER	POWER	POWER	SIGNAL	SIGNAL	POWER
	NOT TOOLED	45912-0113	POWER	POWER	POWER	POWER	POWER	SIGNAL					NOT TOOLED	45912-0113	POWER	POWER	POWER	POWER	SIGNAL	POWER
	NOT TOOLED	45912-0114	POWER	POWER	SIGNAL	POWER	SIGNAL	POWER					NOT TOOLED	45912-0114	POWER	POWER	SIGNAL	POWER	SIGNAL	POWER
	NOT TOOLED	45912-0115	POWER	POWER	SIGNAL	SIGNAL	POWER	POWER					NOT TOOLED	45912-0115	POWER	POWER	SIGNAL	SIGNAL	POWER	POWER
	NOT TOOLED	45912-0116	POWER	SIGNAL	POWER	POWER	POWER	POWER					NOT TOOLED	45912-0116	POWER	SIGNAL	POWER	POWER	POWER	SIGNAL
	NOT TOOLED	45912-0117	POWER	SIGNAL	SIGNAL	POWER	POWER	POWER					NOT TOOLED	45912-0117	POWER	SIGNAL	SIGNAL	POWER	POWER	POWER
C	NOT TOOLED	45912-0118	POWER	SIGNAL	POWER	POWER	SIGNAL	POWER					NOT TOOLED	45912-0118	POWER	SIGNAL	POWER	POWER	SIGNAL	POWER
	NOT TOOLED	45912-0119	POWER	POWER	SIGNAL	POWER	POWER	SIGNAL					NOT TOOLED	45912-0119	POWER	POWER	SIGNAL	POWER	POWER	SIGNAL
	NOT TOOLED	45912-0120	POWER	SIGNAL	SIGNAL	POWER	POWER	POWER					NOT TOOLED	45912-0120	POWER	SIGNAL	SIGNAL	POWER	POWER	POWER
	NOT TOOLED	45912-0121	POWER	POWER	POWER	SIGNAL	POWER	POWER					NOT TOOLED	45912-0121	POWER	POWER	POWER	SIGNAL	POWER	POWER
	NOT TOOLED	45912-0122	POWER	POWER	POWER	POWER	POWER	SIGNAL					NOT TOOLED	45912-0122	POWER	POWER	POWER	POWER	SIGNAL	POWER
	NOT TOOLED	45912-0123	POWER	POWER	POWER	POWER	POWER	SIGNAL					NOT TOOLED	45912-0123	POWER	POWER	POWER	POWER	POWER	SIGNAL
B	NOT TOOLED	45912-0124	SIGNAL	POWER	POWER	POWER	POWER	POWER					NOT TOOLED	45912-0124	SIGNAL	POWER	POWER	POWER	POWER	POWER

SEE SHT 1 EC NO: UCP2013-0692 DRAWN: JSCHAFER 2012/07/03 CHKD: CHKD: 2012/10/04 APPR: APATEL	QUALITY SYMBOLS	GENERAL TOLERANCES (UNLESS SPECIFIED)	DIMENSION STYLE MM ONLY		SCALE 1.5:1	DESIGN UNITS METRIC	THIRD ANGLE PROJECTION	
	▽F/0	4 PLACES ± --- ± ---	mm	INCH	DRAWN BY SAMI EC	DATE 2005/04/14	TITLE POWER EDGE ASSEMBLY POWER / SIGNAL MIXED VERTICAL CPI	
	▽F/0	3 PLACES ± --- ± ---			CHECKED BY SAMI EC	DATE 2005/04/14	MOLEX INCORPORATED	
	▽F/0	2 PLACES ± 0.25 ± ---			APPROVED BY MARGULIS	DATE 2005/04/14	DOCUMENT NO. SD-45912-001	SHEET NO. 5 OF 5
		1 PLACE ± 0.25 ± ---	ANGULAR ± 1/2°		DRAFT WHERE APPLICABLE MUST REMAIN WITHIN DIMENSIONS			
			SEE CHART		THIS DRAWING CONTAINS INFORMATION THAT IS PROPRIETARY TO MOLEX INCORPORATED AND SHOULD NOT BE USED WITHOUT WRITTEN PERMISSION			